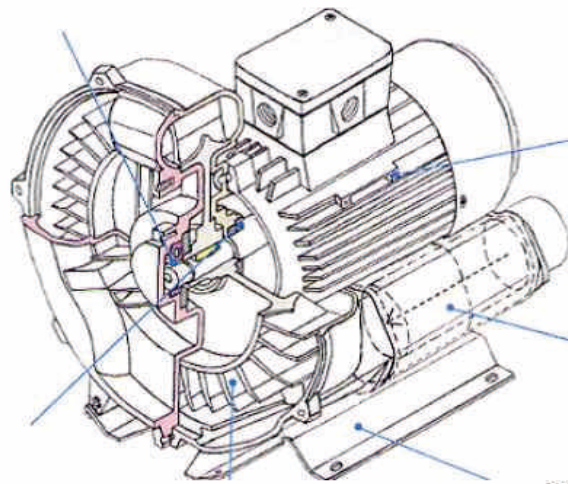


Side Channel Blower Construction

External bearing

Cool-running

Long life



Motor

*Industrial quality 50/60Hz
Squaired-cage motor
totally enclosed (IP55)
with F class insulation*

Silencer

Built-in silencer

Shaft Seal

*Motor protected by
maintenance-free shaft seal*

*High-efficiency die-cast
impellers for all types*

Shock-absorbing mounting plate

Side Channel Blower Specific

Easy to install

The blower is a complete unit ready for immediate installation either as a vacuum pump or as a compressor. The unit can be mounted in any position, horizontally or vertically.

Rugged, the cast for the impeller and the motor are individual to be made by aluminum. The blower has the highly-developed design which results in a pump construction with one moving part, a feature ensuring maximum operating reliability. Maintenance free!

No oily odors

The impeller rotates with absolutely no contact between it and the housing. This means no lubrication is required, guaranteeing 100% oil-free operation.

Low Noise and Vibration

The use of direct-driving low-noise motors and integral silencers ensure a low noise level. Dynamic balancing minimizes vibration.

High Efficiency

Under serious QC control, the parts used in DG blower are of top quality. All blowers are made by professional technicians.



ECT PUMP

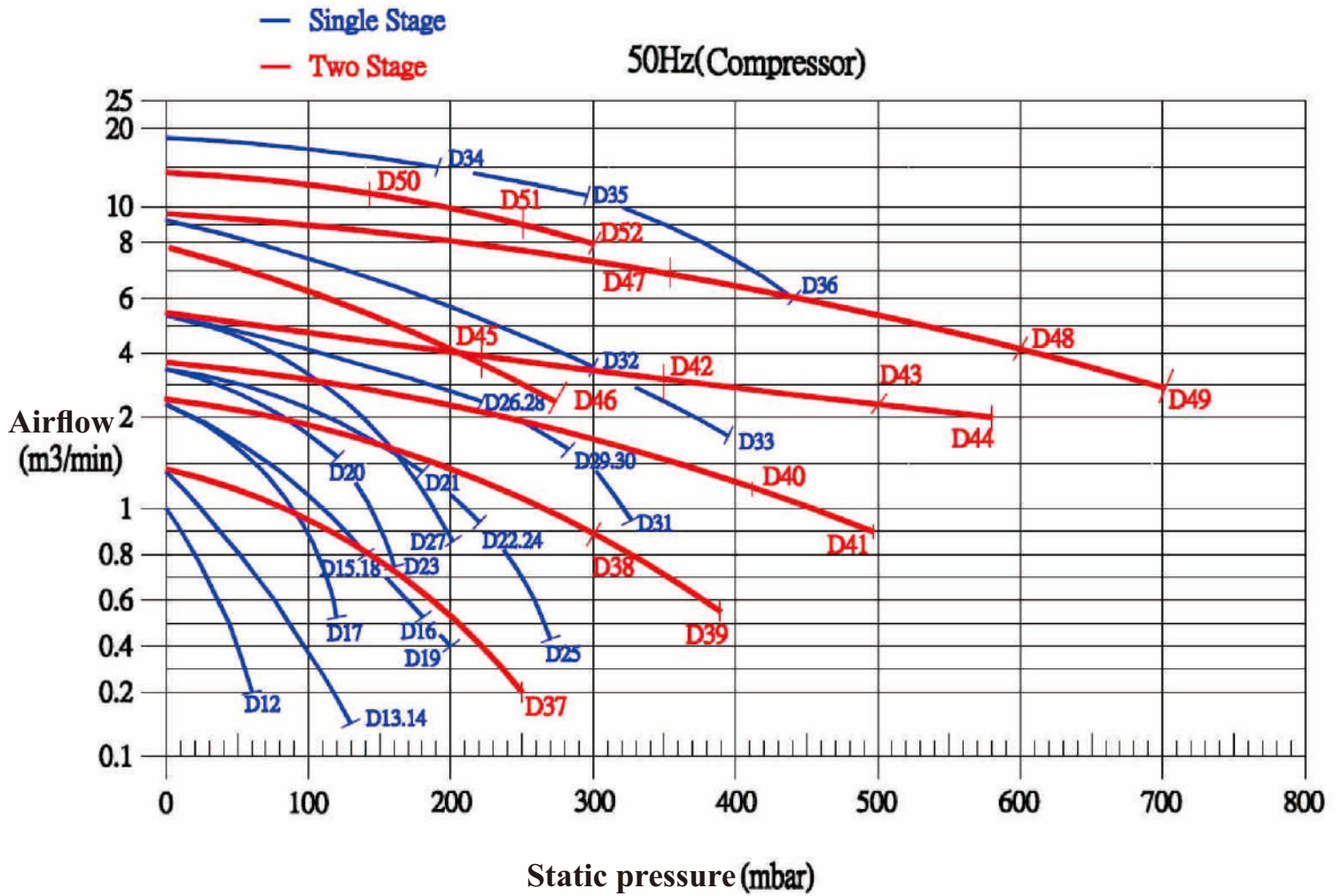
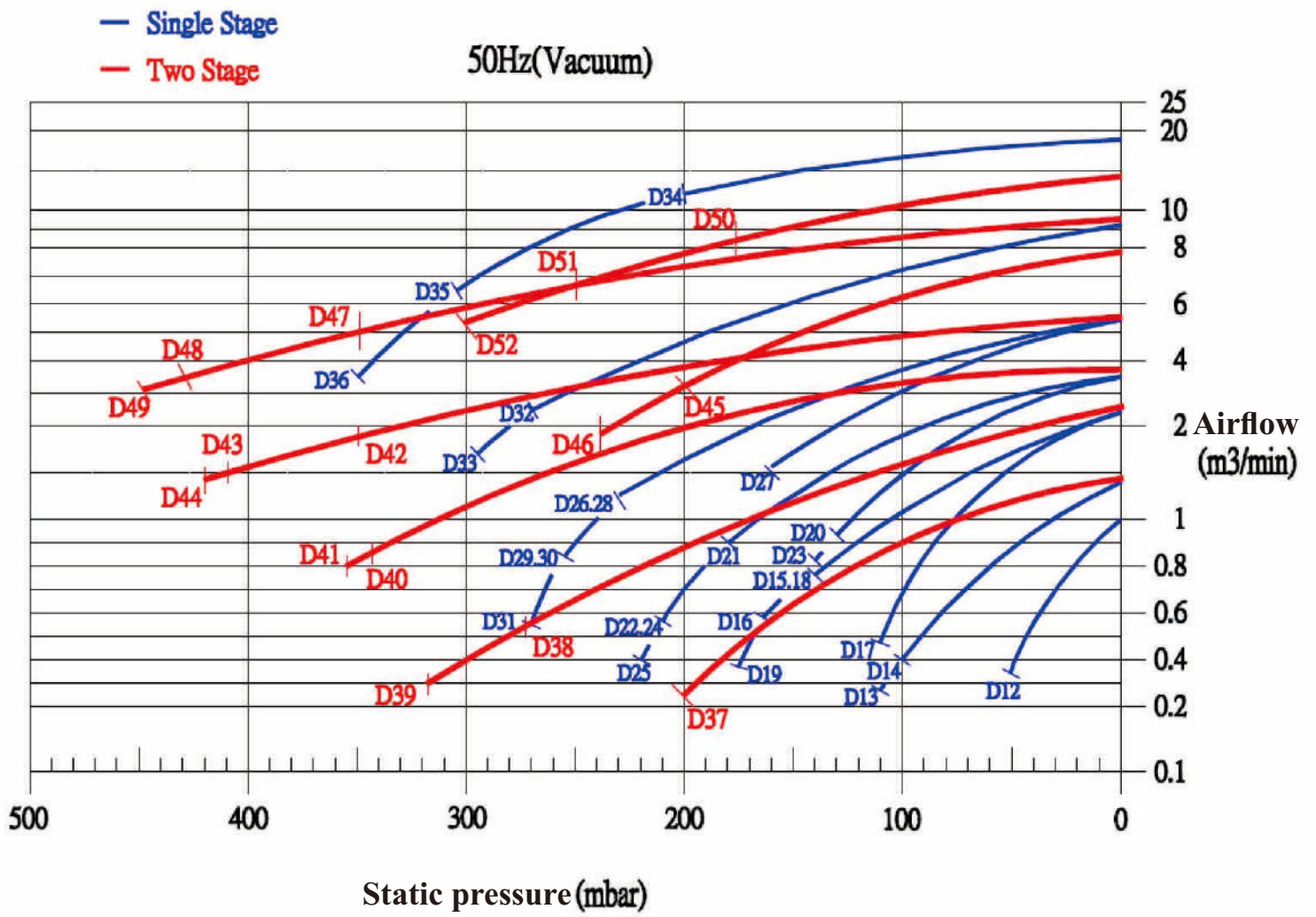


Energy & Care Technology GmbH

Three Phase AC IP55 50Hz

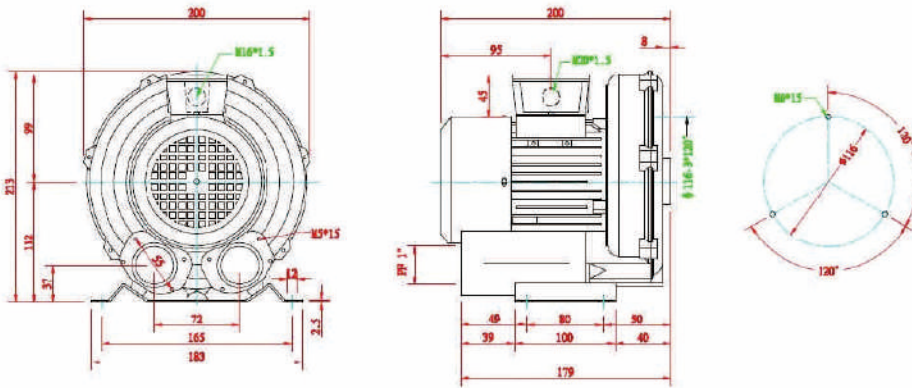
Model	Curve	Frequency (Hz)	Output (kW)	Voltage (V)	Current (A)	Static pressure Vacuum / Compressor (mbar)	Max Airflow (m ³ /min)	Noise (dB)A	Weight (Kg)
TG-100-16	D12	50	0.18	200-240Δ/345-415Y	1.10Δ/0.64Y	50/60	1	52	6.5
TG-200-16	D13	50	0.4	200-240Δ/345-415Y	2.20Δ/1.30Y	110/130	1.5	58	10.5
TG-200-16W	D14	50	0.4	200-240Δ/345-415Y	2.20Δ/1.30Y	100/130	1.5	58	11
TG-300-16	D15	50	0.75	200-240Δ/345-415Y	3.70Δ/2.14Y	140/140	2.6	63	14
TG-300-26	D16	50	0.9	200-240Δ/345-415Y	4.20Δ/2.40Y	165/180	2.6	63	15
TG-300-16B	D17	50	0.75	200-240Δ/345-415Y	3.70Δ/2.14Y	110/120	2.6	63	14
TG-300-16W	D18	50	0.75	200-240Δ/345-415Y	3.70Δ/2.14Y	140/140	2.6	63	14.5
TG-300-36	D19	50	1.3	200-240Δ/345-415Y	4.60Δ/2.65Y	175/200	2.6	63	16
TG-400-16	D20	50	0.9	200-240Δ/345-415Y	4.20Δ/2.40Y	130/120	3.7	70	20.5
TG-400-26	D21	50	1.3	200-240Δ/345-415Y	5.70Δ/3.30Y	180/180	3.7	70	22
TG-400-36	D22	50	1.75	200-240Δ/345-415Y	6.70Δ/3.90Y	210/220	3.7	70	23
TG-400-36B	D23	50	1.75	200-240Δ/345-415Y	6.70Δ/3.90Y	140/160	3.7	70	23
TG-400-36W	D24	50	1.75	200-240Δ/345-415Y	6.70Δ/3.90Y	210/220	3.7	70	23.5
TG-400-46	D25	50	2.2	200-240Δ/345-415Y	7.80Δ/4.50Y	220/270	3.7	70	26
TG-600-16	D26	50	2.2	200-240Δ/345-415Y	9.70Δ/5.60Y	220/210	5.5	72	32
TG-600-16B	D27	50	2.2	200-240Δ/345-415Y	9.70Δ/5.60Y	160/200	5.5	72	32
TG-600-16W	D28	50	2.2	200-240Δ/345-415Y	9.70Δ/5.60Y	220/210	5.5	72	32.5
TG-600-26	D29	50	3.4	200-240Δ/345-415Y	12.5Δ/7.20Y	255/270	5.5	72	34
TG-600-26W	D30	50	3.4	200-240Δ/345-415Y	12.5Δ/7.20Y	255/270	5.5	72	35.5
TG-600-36	D31	50	4	200-240Δ/345-415Y	14.3Δ/8.20Y	270/320	5.5	72	37
TG-800-16	D32	50	5.5	200-240Δ/345-415Y	25.3Δ/14.6Y	270/290	9.5	74	77
TG-800-26	D33	50	7.5	200-240Δ/345-415Y	31.5Δ/18.2Y	295/390	9.5	74	88
TG-900-16	D34	50	9	200-240Δ/345-415Y	36.0Δ/20.8Y	200/190	18.9	76	100
TG-900-26	D35	50	13	200-240Δ/345-415Y	46.8Δ/27.0Y	290/270	18.9	76	112
TG-900-36	D36	50	20	200-240Δ/345-415Y	66.7Δ/38.6Y	350/440	18.9	76	159
TG-230-16	D37	50	0.75	200-240Δ/345-415Y	3.45Δ/2.00Y	200/240	1.6	60	17
TG-330-16	D38	50	1.75	200-240Δ/345-415Y	6.70Δ/3.90Y	275/300	2.6	66	25
TG-330-26	D39	50	2.2	200-240Δ/345-415Y	7.80Δ/4.50Y	320/390	2.6	66	28
TG-430-16	D40	50	3.4	200-240Δ/345-415Y	12.5Δ/7.20Y	345/410	3.7	74	40
TG-430-26	D41	50	4	200-240Δ/345-415Y	14.3Δ/8.20Y	355/460	3.7	74	43
TG-630-26	D42	50	4	200-240Δ/345-415Y	15.4Δ/8.90Y	350/350	5.5	75	55
TG-630-36	D43	50	5.5	200-240Δ/345-415Y	21.6Δ/12.5Y	410/500	5.5	75	72
TG-630-46	D44	50	7.5	200-240Δ/345-415Y	31.5Δ/18.2Y	420/580	5.5	75	82
TG-640-36	D45	50	5.5	200-240Δ/345-415Y	21.6Δ/12.5Y	200/220	7.9	75	72
TG-640-46	D46	50	7.5	200-240Δ/345-415Y	31.5Δ/18.2Y	240/275	7.9	75	82
TG-830-16	D47	50	7.5	200-240Δ/345-415Y	31.5Δ/18.2Y	350/350	9.5	76	112
TG-830-26	D48	50	13	200-240Δ/345-415Y	46.8Δ/27.0Y	430/600	9.5	76	142
TG-830-36	D49	50	20	200-240Δ/345-415Y	66.7Δ/38.6Y	450/700	9.6	76	160
TG-840-16	D50	50	7.5	200-240Δ/345-415Y	31.5Δ/18.2Y	180/145	14.2	76	110
TG-840-26	D51	50	13	200-240Δ/345-415Y	46.8Δ/27.0Y	250/250	14.2	76	140
TG-840-36	D52	50	20	200-240Δ/345-415Y	66.7Δ/38.6Y	300/300	14.2	76	160

TG-xxx-xxW	Waterproof
B	Low Pressure
L	Terminal box on the left
R	Terminal box on the right

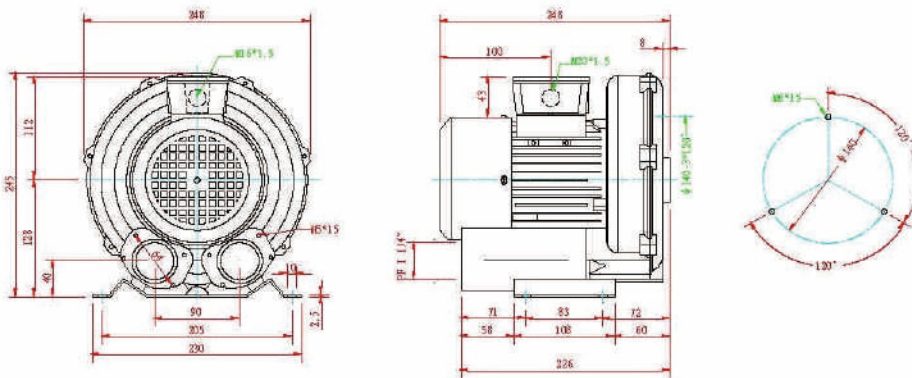


Dimensions

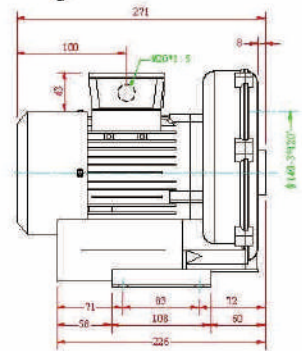
TG-100



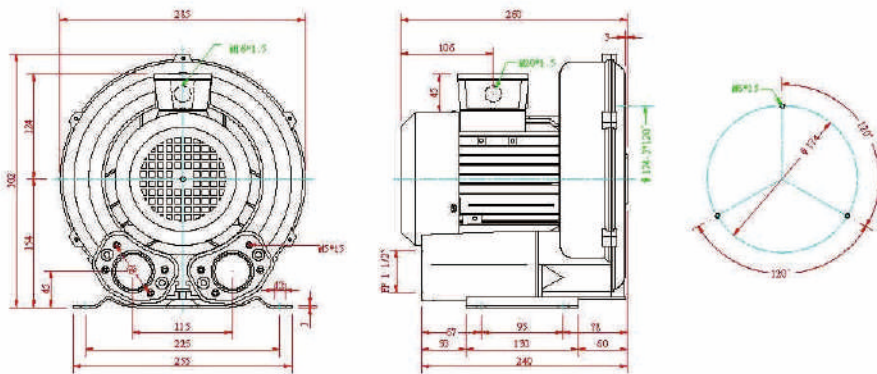
TG-200



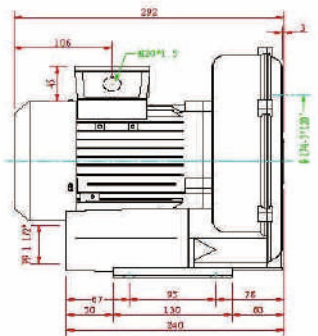
only TG-200 **W



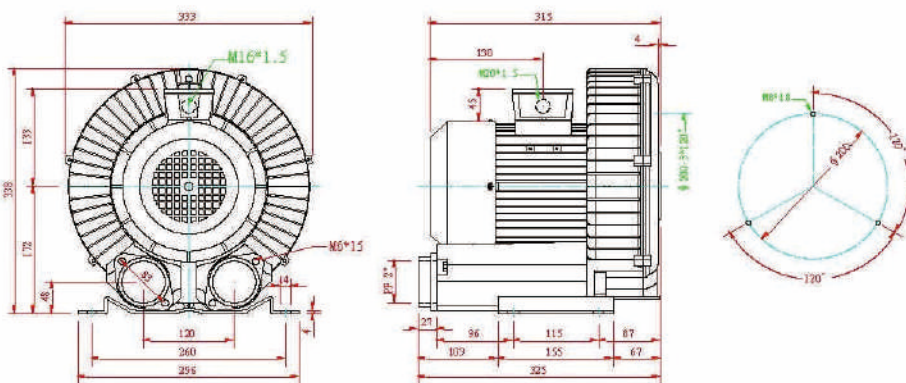
TG-300



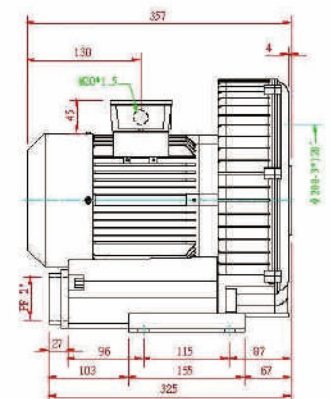
only TG-300 **W



TG-400

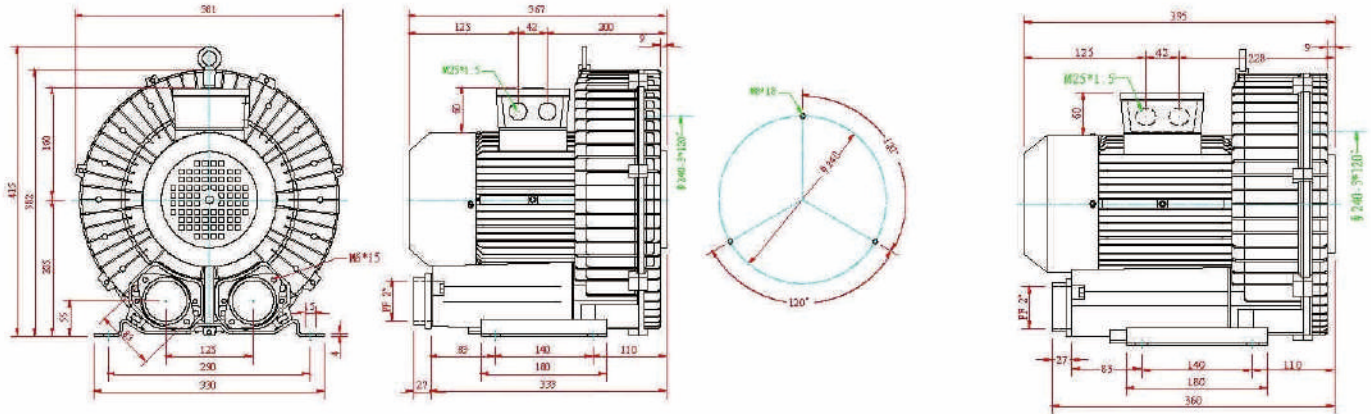


only TG-400 **W



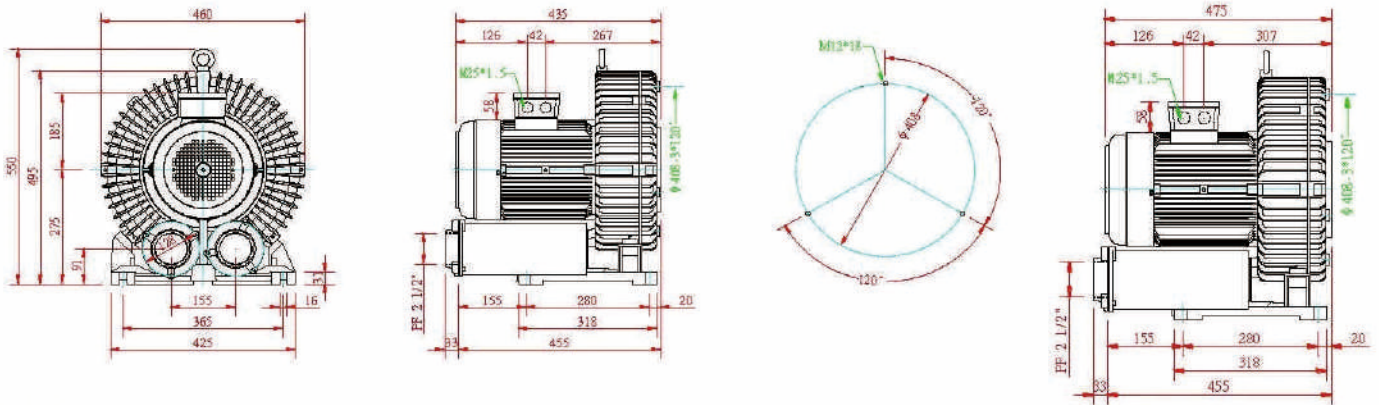
TG-600

only TG-600 **W

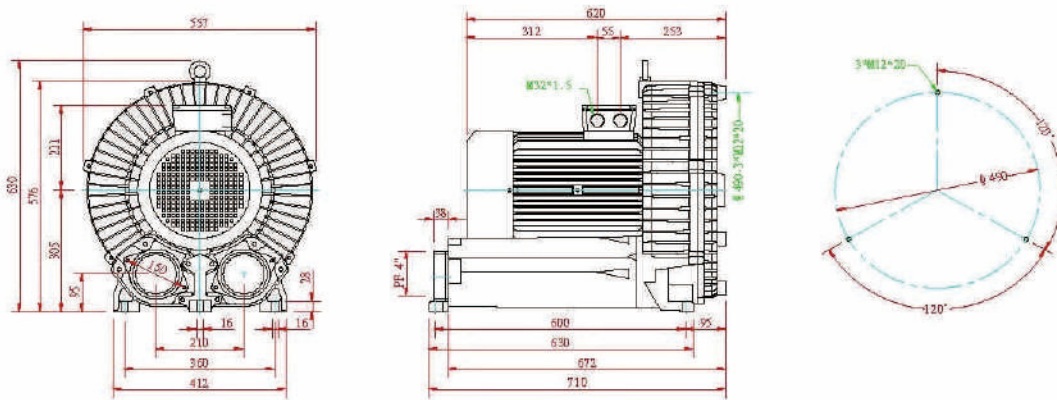


TG-800

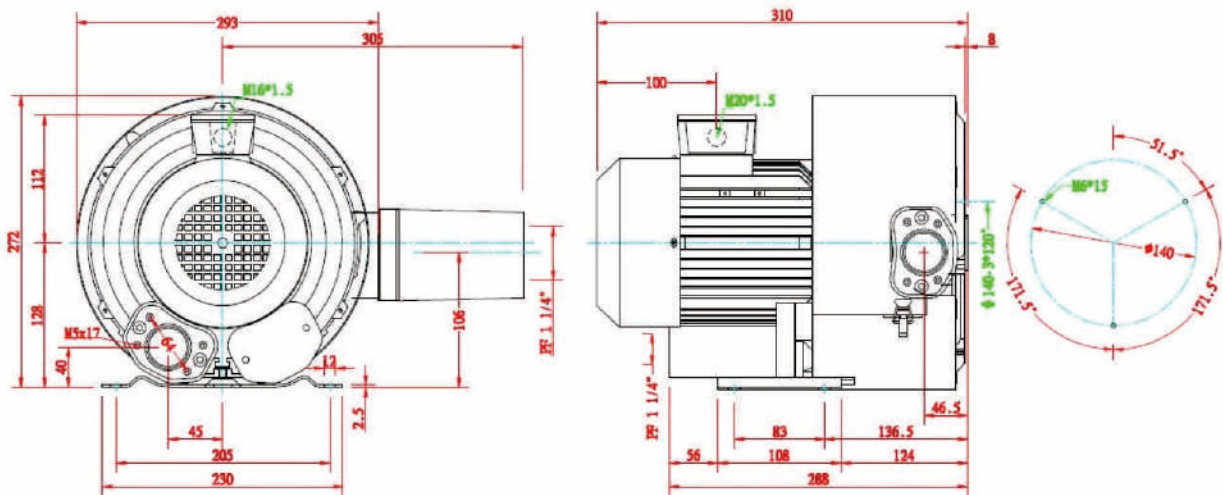
only TG-800 **W



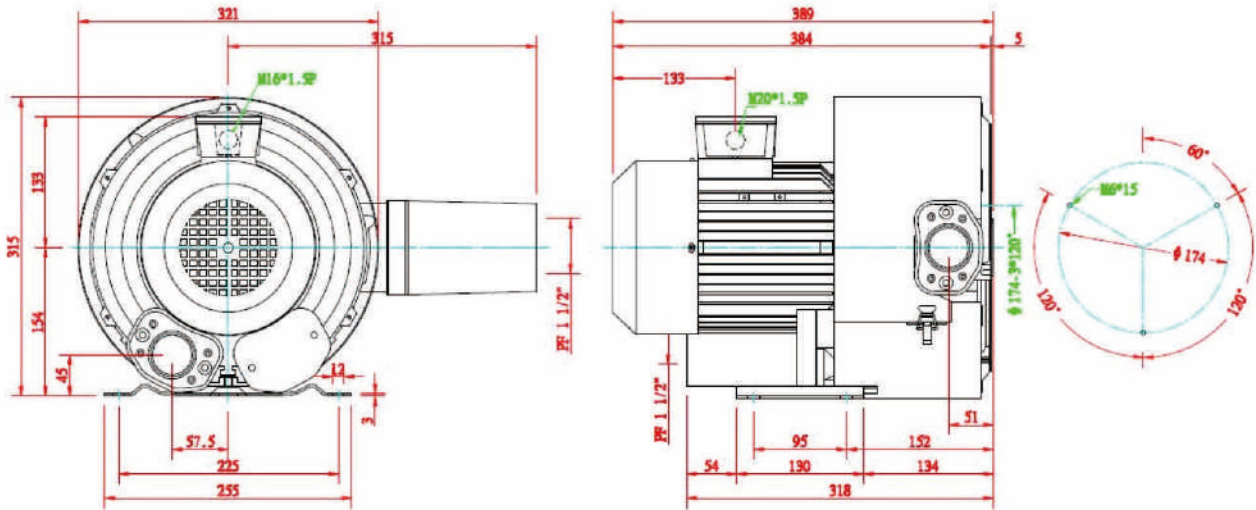
TG-900



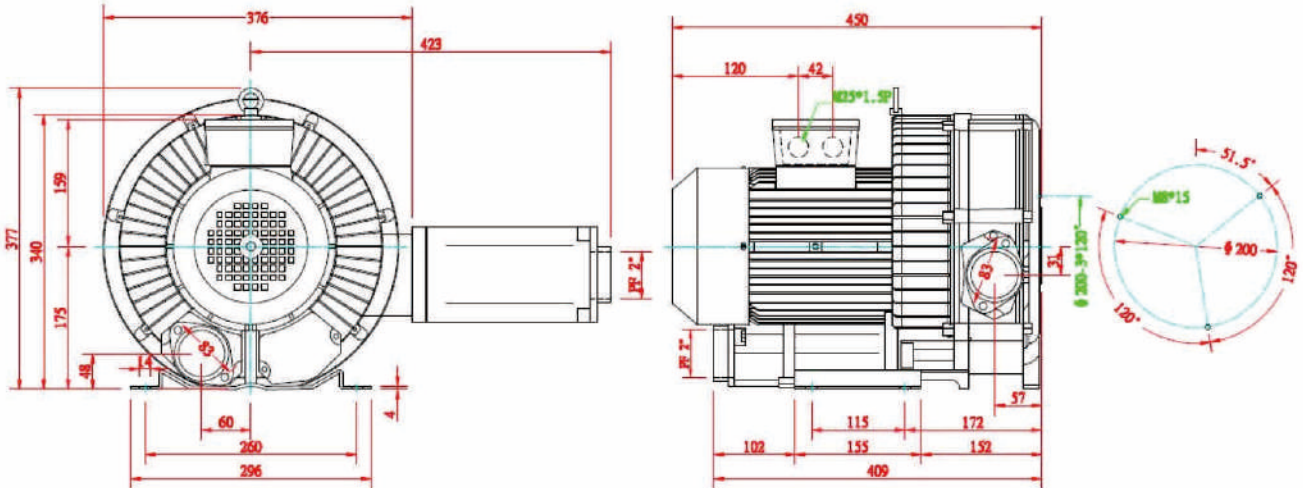
TG-230



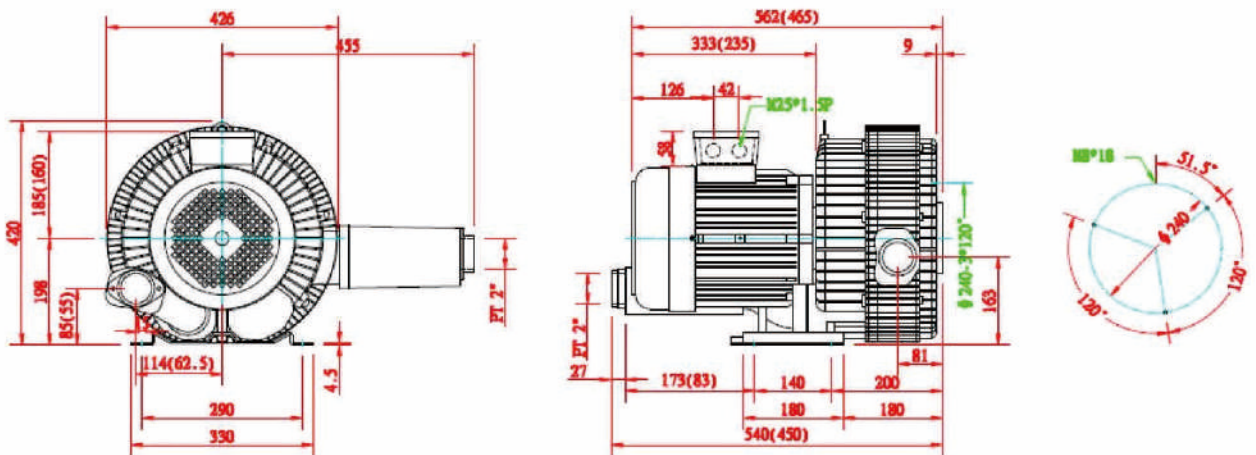
TG-330



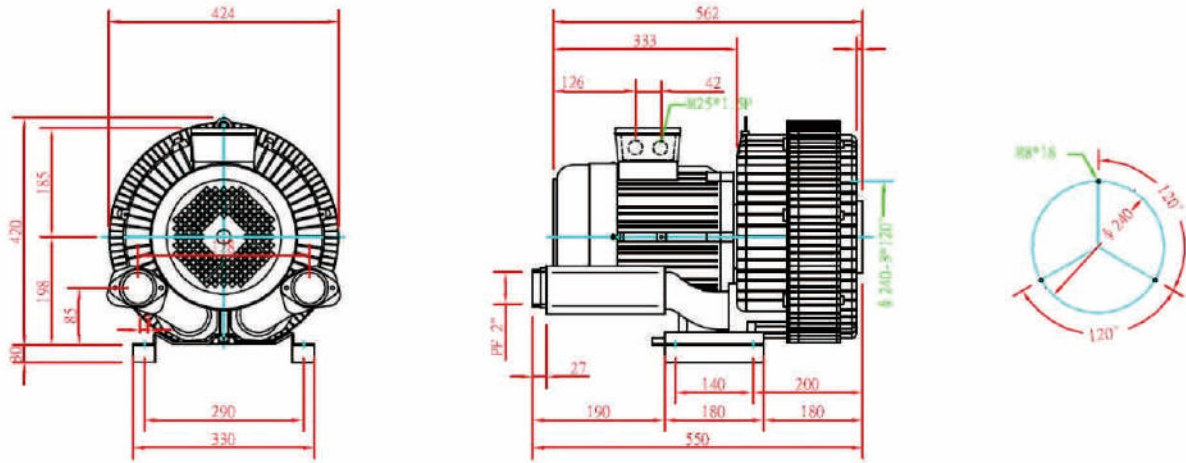
TG-430



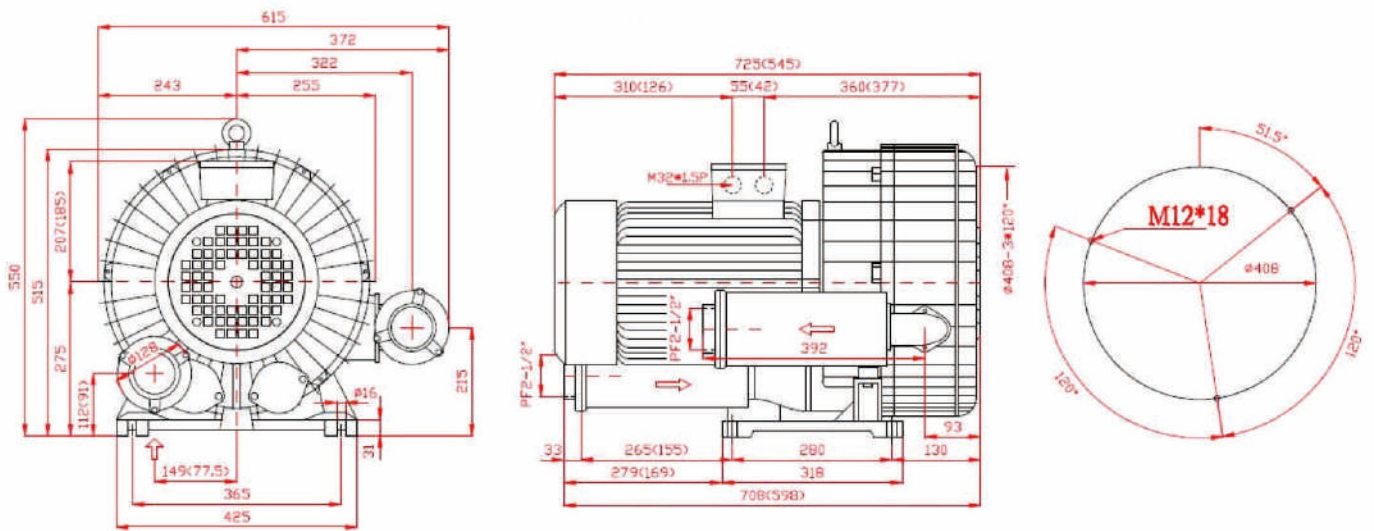
TG-630



TG-640



TG-830



TG-840

