



ECT-V series 60HZ

Submersible Sewage / Effluent Pumps



Pump Data

1. Impeller : Semi Open Impeller
2. Shaft Seal : Double Mechanical Seal+ oil seal
3. Bearing : Double-shielded Ball Bearing

Operating Conditions

1. Fluid Temperature : 0 to 50°C(122°F)

Motor Data

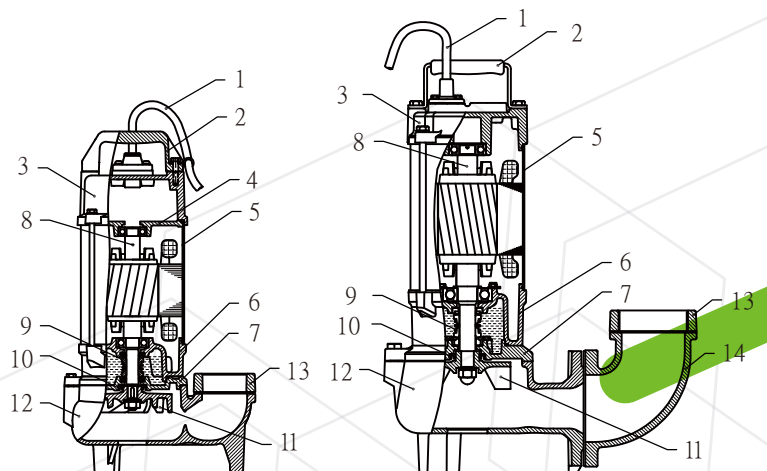
1. Motor Type : 2 pole, dry type
2. Frequency : 60Hz
3. Nominal Speed : 3450 rpm
4. Insulation Class : F class (155°C)
5. Enclosure Protection Class : IP68
6. Protection Device :
Thermal Protector (Single phase)
Overload Protector (Three phase)

APPLICATIONS

1. Basement water removal
2. Waste water drainage
3. Water transfer
4. Sump / effluent handling
5. Dewatering
6. Fish pond & fountain circulation
7. Factory waste water handling

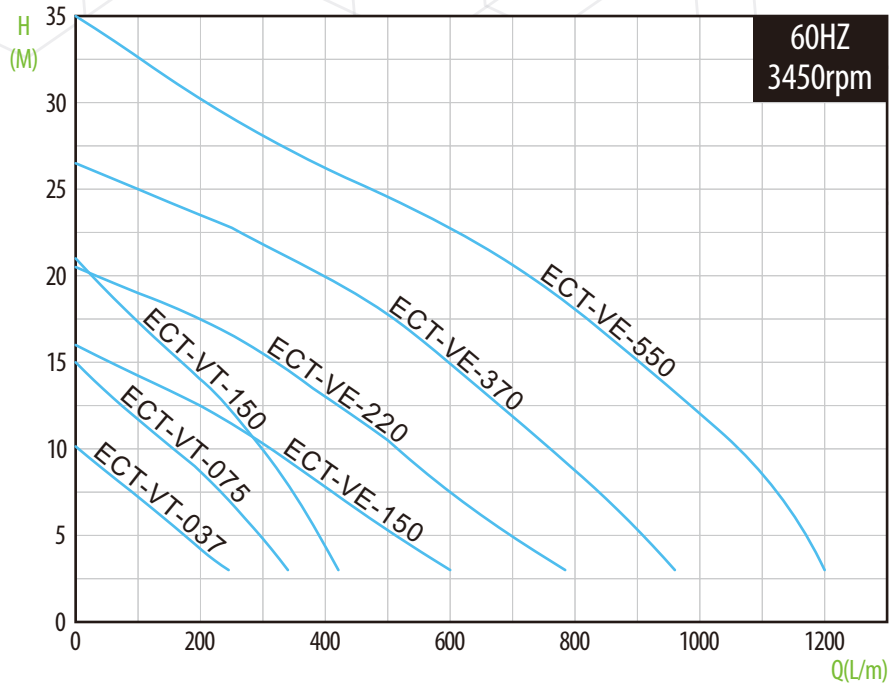
MATERIAL CONSTRUCTION

No.	Part	Materials
1	Cable	STOW_UL
2	Handle	Nylon6+30GF(0.5~1HP) AISI 304+NBR(2~7.5HP)
3	Motor Cover	FC200
4	Bearing Cap	FC200
5	Motor Frame	AISI 304
6	Bearing Bracket	FC200
7	M.Seal Bracket	FC200
8	Shaft	SUS 410
9	Mechanical Seal	CA / CE , SIC / SIC
10	Oil Seal	NBR 70
11	Impeller	FC200
12	Pump Casing	FC200
13	Flange	FC200
14	Elbow	FC200





PERFORMANCE CURVE



SPECIFICATION

Model	Power HP(kW)	Discharge Inch(mm)	Nominal Current(A)		Capacitort (UF / V)		Std. Head M	Std. Flow LPM	Max. Head M	Max. Flow LPM	Weight KG
			110 - 127V	220 - 230V	110-127V	220-230V					
Single Phase & Auto Float Switch											
ECT-VT(A)-1037-50	0.5 (0.37)	2" (50)	6.6 - 5.7	3.3 - 3.1	50 / 250	12 / 450	5.5	150	10	250	17 / 17.5
ECT-VT(A)-1075-50	1 (0.75)	2" (50)	10.6 - 9.2	5.3 - 4.9	80 / 250	20 / 450	8	200	14	350	18.5 / 19
ECT-VT(A)-1150-50	2 (1.5)	2" (50)	-	10.0 - 9.2	-	40 / 450	14	200	21	410	30 / 30.5
ECT-VE(A)-1150-50/80	2 (1.5)	2"/3" (50/80)	-	10.0 - 9.2	-	40 / 450	8.5	400	16	640	37 / 37.5

ECT-VT : Thread
ECT-VE : Elbow
A : Auto Float Switch

Model	Power HP(kW)	Discharge Inch(mm)	Nominal Current [A]			Std. Head M	Std. Flow LPM	Max. Head M	Max. Flow LPM	Weight KG
			220 - 230V	380 - 440V	460 - 480V					
Three Phase & With Elbow										
ECT-VT-3037-50	0.5 (0.37)	2"(50)	2.3 - 2.2	1.3 - 1.2	1.3 - 1.1	5.5	150	10	250	16
ECT-VT-3075-50	1 (0.75)	2"(50)	3.4 - 3.3	2.1 - 2.0	1.9 - 1.7	8	200	14	350	17.5
ECT-VT-3150-50	2 (1.5)	2" (50)	6.3 - 6.0	3.6 - 3.4	3.2 - 3.0	14	200	21	410	27
ECT-VE-3150-50/80	2 (1.5)	2"/3"(50/80)	6.3 - 6.0	3.6 - 3.4	3.2 - 3.0	8.5	400	16	640	34
ECT-VE-3220-50/80	3 (2.2)	2"/3"(50/80)	8.8 - 8.5	5.0 - 4.8	4.8 - 4.7	13	400	20	800	36.5
ECT-VE-3370-80/100	5 (3.7)	3"/4"(80/100)	13.6 - 13.0	8.0 - 7.8	7.5 - 7.3	18	500	26.5	950	40.5
ECT-VE-3550-80/100	7.5 (5.5)	3"/4"(80/100)	20.0 - 18.5	12.0 - 11.0	10.5 - 9.5	22	640	35	1200	61

ECT-VT : Thread
ECT-VE : Elbow
A : Auto Float Switch

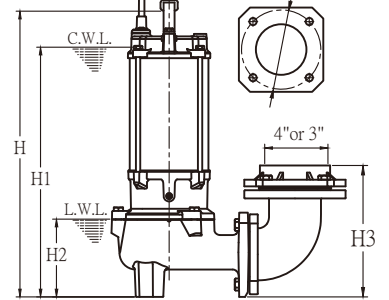
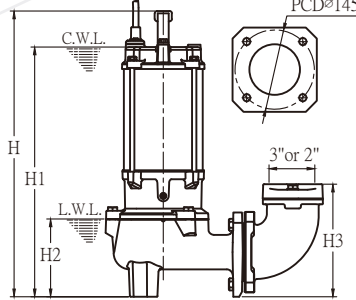
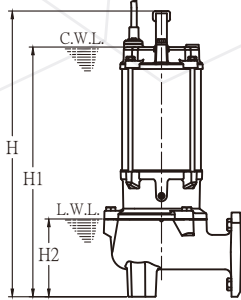
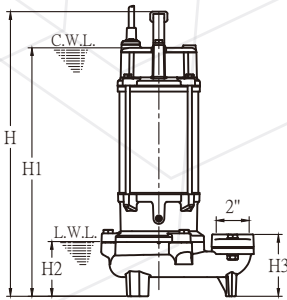
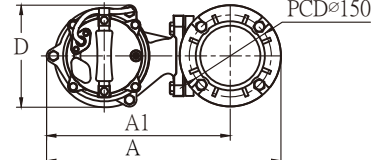
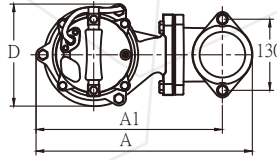
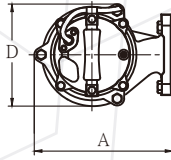
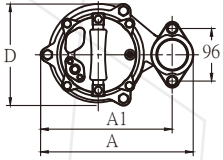


ECT-V series Technical Data

DIMENSIONS

C.W.L. : Continuous running water level

L.W.L. : Lowest running water level



ECT-VT
For 0.5HP & 1HP
& 2HP

ECT-V
For 2HP & 3HP
For 5HP & 7.5HP-3 3/4"

ECT-VE W/Elbow
For 2HP & 3HP

ECT-VE W/Elbow
For 5HP & 7.5HP
-3 3/4"

Model	A	A1	D	H	H1	H2	H3	Solid Passage (mm)	Cable	
									M	UL(AWG)
Single Phase & Auto Float Switch										
ECT-VT(A)-1037-50	240	201	153	406	352	110	124	35	10	16AWGx3C
ECT-VT(A)-1075-50	240	201	153	426	372	110	124	35	10	16AWGx3C
ECT-VT(A)-1150-50	279	240	186	513	445	100	112	35	10	14AWGx3C
ECT-V(A)-1150-50/80	252	-	186	555	488	141	-	50	10	14AWGx3C
Three Phase										
ECT-VT-3037-50	240	201	153	406	352	110	124	35	10	16AWGx4C
ECT-VT-3075-50	240	201	153	426	375	110	124	35	10	16AWGx4C
ECT-VT-3150-50	279	240	186	480	414	100	112	35	10	14AWGx4C
ECT-V-3150-50/80	255	-	186	522	456	141	-	50	10	14AWGx4C
ECT-V-3220-50/80	255	-	186	522	456	141	-	50	10	14AWGx4C
ECT-V-3370-80/100	255	-	186	542	476	141	-	50	10	14AWGx4C
ECT-V-3550-80/100	294	-	227	680	579	158	-	50	10	12AWGx4C
With Elbow										
ECT-VE-1150-50/80	395	340	186	555	488	141	205	50	10	14AWGx3C
ECT-VE-3150-50/80	395	340	186	522	456	141	205	50	10	14AWGx4C
ECT-VE-3220-50/80	395	340	186	522	456	141	205	50	10	14AWGx4C
ECT-VE-3370-80/100	428	335	186	542	476	141	240	50	10	14AWGx4C
ECT-VE-3550-80/100	472	380	227	680	579	158	253	50	10	12AWGx4C



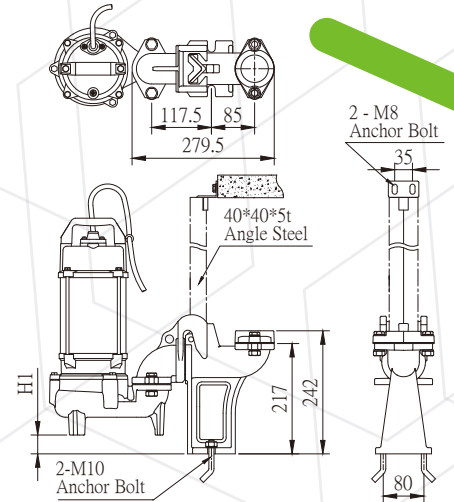
ECT PUMP

ECT-V series Guide Rail series

TS-50



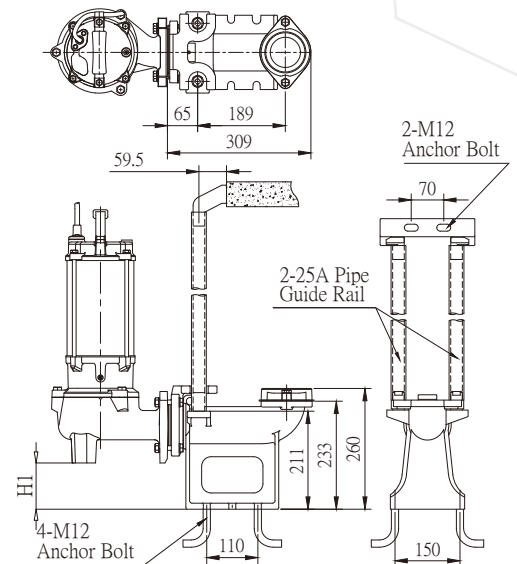
Pump Model	DN (mm)	Dimensions H1 (mm)
ECT-VT Series For 0.5 & 1 HP	50	37
ECT-VT Series For 2 HP	50	45



TM-50/80



Pump Model	DN (mm)	Dimensions H1 (mm)
ECT-VE Series For 2 & 3 HP	50 & 80	99.5



TL-80/100



Pump Model	DN (mm)	Dimensions H1 (mm)
ECT-VE Series For 5 & 7.5 HP	80 & 100	126.5

