



## ECT-S series 60HZ

# Submersible Vortex Sewage Pumps



### Motor Data

1. Motor Type : 2 pole, dry type
2. Frequency : 60Hz
3. Nominal Speed : 3450 rpm
4. Insulation Class : F class (155°C)
5. Enclosure Protection Class : IP68
6. Protection Device :  
Thermal Protector (Single phase)  
Overload Protector (Three phase)

### APPLICATIONS

1. Basement water removal
2. Waste water drainage
3. Water transfer
4. Sump/effluent handling
5. Dewatering
6. Fish pond & fountain circulation
7. Factory waste water handling

### Pump Data

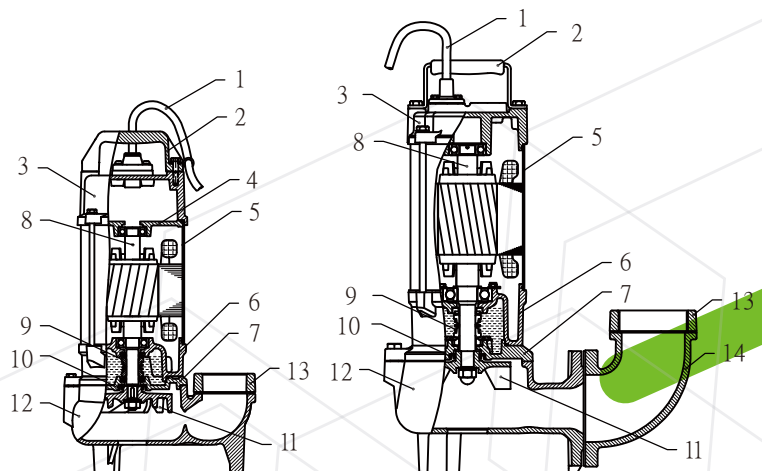
1. Impeller : Open Impeller
2. Shaft Seal / Mechanical : Double Seals
3. Bearing : Double-shielded Ball Bearing

### Operating Conditions

1. Fluid Temperature : 0 to 50°C(122°F)

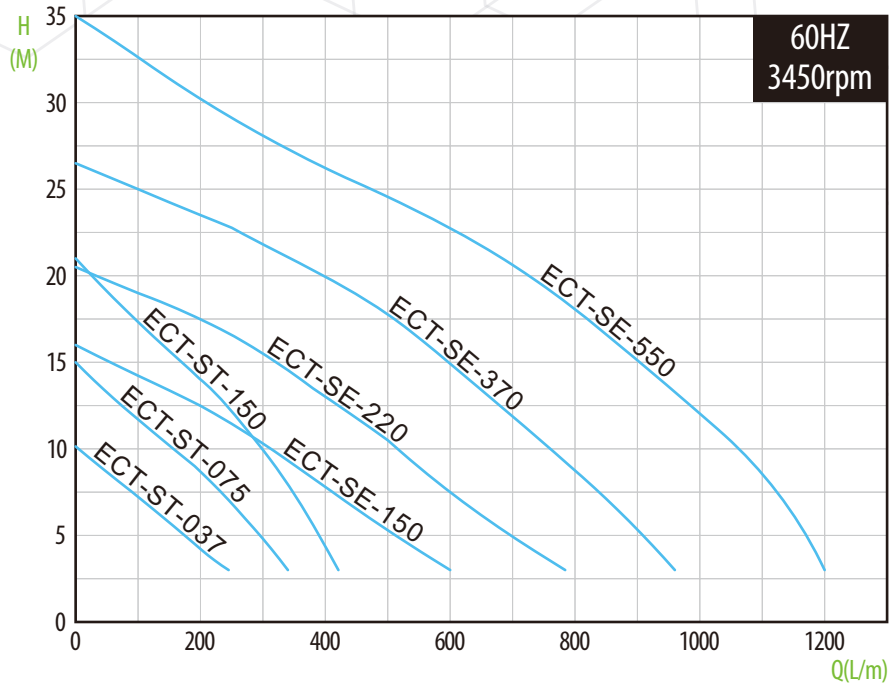
### MATERIAL CONSTRUCTION

No.	Part	Materials
1	Cable	STOW_UL
2	Handle	Nylon6+30GF AISI 304+NBR
3	Motor Cover	CF8M
4	Bearing Cap	FC200
5	Motor Frame	SUS 316
6	Bearing Bracket	CF8M
7	M.Seal Bracket	CF8M
8	Shaft	SASC+AISI 316
9	Mechanical Seal	CA / CE , SIC / SIC
10	Oil Seal	VITON70
11	Impeller	CF8M
12	Pump Casing	CF8M
13	Flange	CF8M
14	Elbow	CF8M





## PERFORMANCE CURVE



## SPECIFICATION

Model	Power HP(kW)	Discharge Inch(mm)	Nominal Current(A)		Capacitort (UF / V)		Std. Head M	Std. Flow LPM	Max. Head M	Max. Flow LPM	Weight KG
			110 - 127V	220 - 230V	110-127V	220-230V					
Single Phase & Auto Float Switch											
ECT-ST(A)-1037-50	0.5 (0.37)	2" (50)	6.6 - 5.7	3.3 - 3.1	50 / 250	12 / 450	5.5	150	10	250	17 / 17.5
ECT-ST(A)-1075-50	1 (0.75)	2" (50)	10.6 - 9.2	5.3 - 4.9	80 / 250	20 / 450	8	200	14	350	18.5 / 19
ECT-ST(A)-1150-50	2 (1.5)	2" (50)	-	10.0 - 9.2	-	40 / 450	14	200	21	410	30 / 30.5
ECT-SE(A)-1150-50/80	2 (1.5)	2"/3" (50/80)	-	10.0 - 9.2	-	40 / 450	8.5	400	16	640	37 / 37.5

ECT-ST : Thread  
ECT-SE : Elbow  
A : Auto Float Switch

Model	Power HP(kW)	Discharge Inch(mm)	Nominal Current [A]			Std. Head M	Std. Flow LPM	Max. Head M	Max. Flow LPM	Weight KG
			220 - 230V	380 - 440V	460 - 480V					
Three Phase & With Elbow										
ECT-ST-3037-50	0.5 (0.37)	2"(50)	2.3 - 2.2	1.3 - 1.2	1.3 - 1.1	5.5	150	10	250	16
ECT-ST-3075-50	1 (0.75)	2"(50)	3.4 - 3.3	2.1 - 2.0	1.9 - 1.7	8	200	14	350	17.5
ECT-ST-3150-50	2 (1.5)	2" (50)	6.3 - 6.0	3.6 - 3.4	3.2 - 3.0	14	200	21	410	27
ECT-SE-3150-50/80	2 (1.5)	2"/3"(50/80)	6.3 - 6.0	3.6 - 3.4	3.2 - 3.0	8.5	400	16	640	34
ECT-SE-3220-50/80	3 (2.2)	2"/3"(50/80)	8.8 - 8.5	5.0 - 4.8	4.8 - 4.7	13	400	20	800	36.5
ECT-SE-3370-80/100	5 (3.7)	3"/4"(80/100)	13.6 - 13.0	8.0 - 7.8	7.5 - 7.3	18	500	26.5	950	40.5
ECT-SE-3550-80/100	7.5 (5.5)	3"/4"(80/100)	20.0 - 18.5	12.0 - 11.0	10.5 - 9.5	22	640	35	1200	61

ECT-ST : Thread  
ECT-SE : Elbow  
A : Auto Float Switch

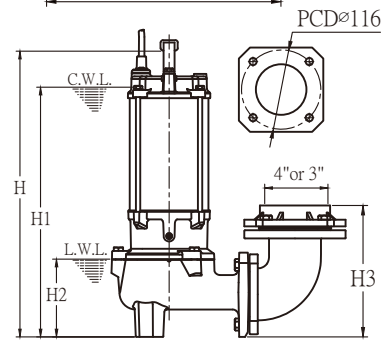
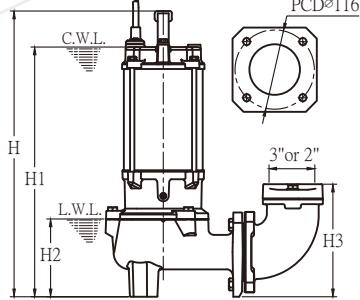
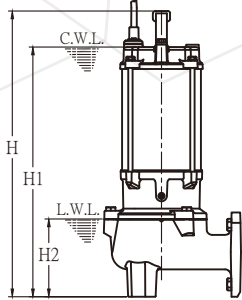
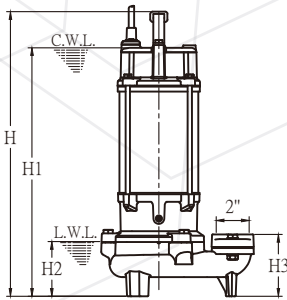
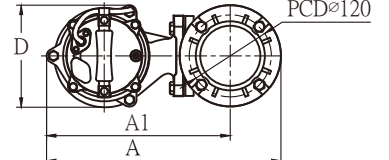
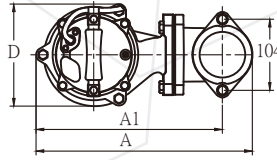
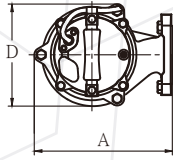
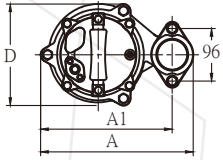


## ECT-S series Technical Data

### DIMENSIONS

C.W.L. : Continuous running water level

L.W.L. : Lowest running water level



**ECT-ST**  
For 0.5HP & 1HP  
& 2HP

**ECT-S**  
For 2HP & 3HP-2"/3"  
For 5HP & 7.5HP-3"/4"

**ECT-SE W/Elbow**  
For 2HP & 3HP

**ECT-SE W/Elbow**  
For 5HP & 7.5HP-3"/4"

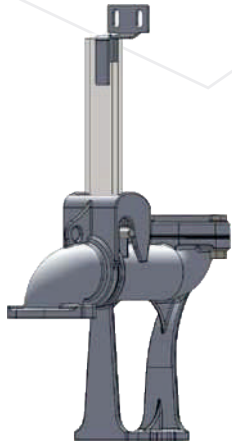
Model	A	A1	D	H	H1	H2	H3	Solid Passage (mm)	Cable	
									M	UL(AWG)
<b>Single Phase &amp; Auto Float Switch</b>										
ECT-ST(A)-1037-50	240	201	153	406	352	110	124	35	10	16AWGx3C
ECT-ST(A)-1075-50	240	201	153	426	372	110	124	35	10	16AWGx3C
ECT-ST(A)-1150-50	279	240	186	513	445	100	112	35	10	14AWGx3C
ECT-S(A)-1150-50/80	252	-	186	555	488	141	-	50	10	14AWGx3C
<b>Three Phase</b>										
ECT-ST-3037-50	240	201	153	406	352	110	124	35	10	16AWGx4C
ECT-ST-3075-50	240	201	153	426	375	110	124	35	10	16AWGx4C
ECT-ST-3150-50	279	240	186	480	414	100	112	35	10	14AWGx4C
ECT-S-3150-50/80	255	-	186	522	456	141	-	50	10	14AWGx4C
ECT-S-3220-50/80	255	-	186	522	456	141	-	50	10	14AWGx4C
ECT-S-3370-80/100	255	-	186	542	476	141	-	50	10	14AWGx4C
ECT-S-3550-80/100	294	-	227	680	579	158	-	50	10	12AWGx4C
<b>With Elbow</b>										
ECT-SE-1150-50/80	395	340	186	555	488	141	205	50	10	14AWGx3C
ECT-SE-3150-50/80	395	340	186	522	456	141	205	50	10	14AWGx4C
ECT-SE-3220-50/80	395	340	186	522	456	141	205	50	10	14AWGx4C
ECT-SE-3370-80/100	428	335	186	542	476	141	240	50	10	14AWGx4C
ECT-SE-3550-80/100	472	380	227	680	579	158	253	50	10	12AWGx4C



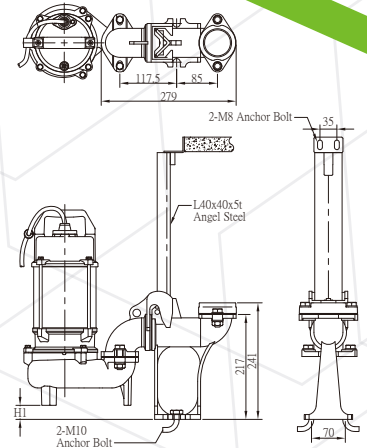
# ECT PUMP

## ECT-S series Guide Rail series

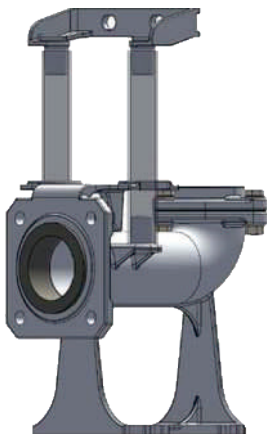
### STS-50



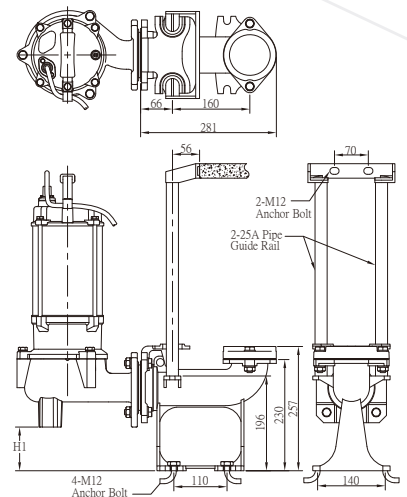
Pump Model	DN (mm)	Dimensions H1 (mm)
ECT-ST Series For 0.5 & 1 HP	50	29
ECT-ST Series For 2 HP	50	40



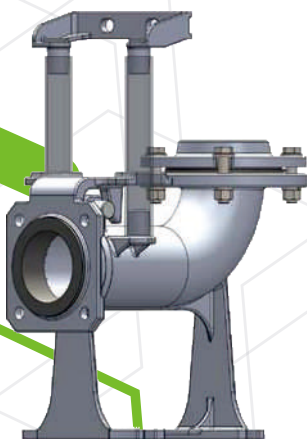
### STM-50/80



Pump Model	DN (mm)	Dimensions H1 (mm)
ECT-SE Series For 2 & 3 HP	50 & 80	90



### STL-80/100



Pump Model	DN (mm)	Dimensions H1 (mm)
ECT-SE Series For 5 & 7.5 HP	80 & 100	110.5 & 104

