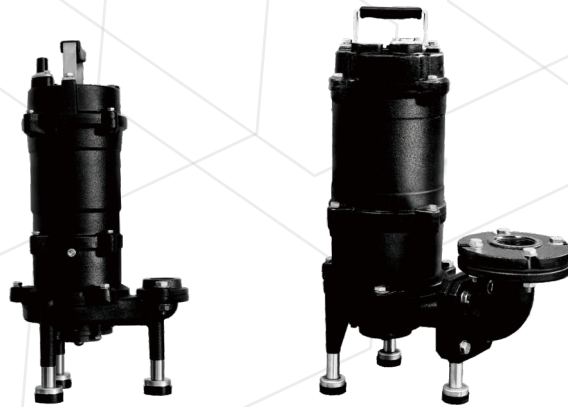


# ECT-GD series 60Hz



# ECT PUMP

## Submersible Grinder Pump



### FEATURES

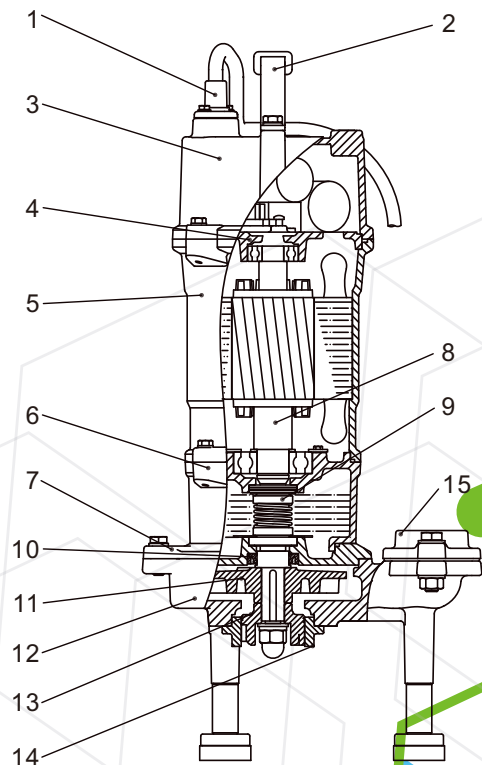
1. Robust construction.
2. Superior Heat Dissipation.
3. Macerating Impellor for cutting up materials.
4. Double mechanical seals Upper : CA/CE  
Lower : SIC/SIC

### APPLICATIONS

1. General household use, Drainage systems for Buildings, Apartments, Resorts and Wastewater systems.
2. Materials such as leather, textile fibres, food and other tougher objects can be pumped.
3. Wastewater systems for Domestic, Commercial, Industrial, Municipal, Schools, Hospitals and many other uses.
4. Sewage and Drainage systems.

### MATERIAL CONSTRUCTION

No.	Part	Materials
1	Cable	UL
2	Handle	AISI 304+NBR
3	Motor Cover	FC200
4	Bearing Cap	FC200
5	Motor Frame	FC200
6	Bearing Bracket	FC200
7	M.Seal Bracket	FC200
8	Shaft	AISI 410
9	Mechanical Seal	CA/CE , SIC / SIC
10	Oil Seal	NER70
11	Impeller	FC250
12	Pump Casing	FC200
13	Radidl Cutter	AISI 440C
14	Cutter Ring	AISI 440C
15	Flange	FC200

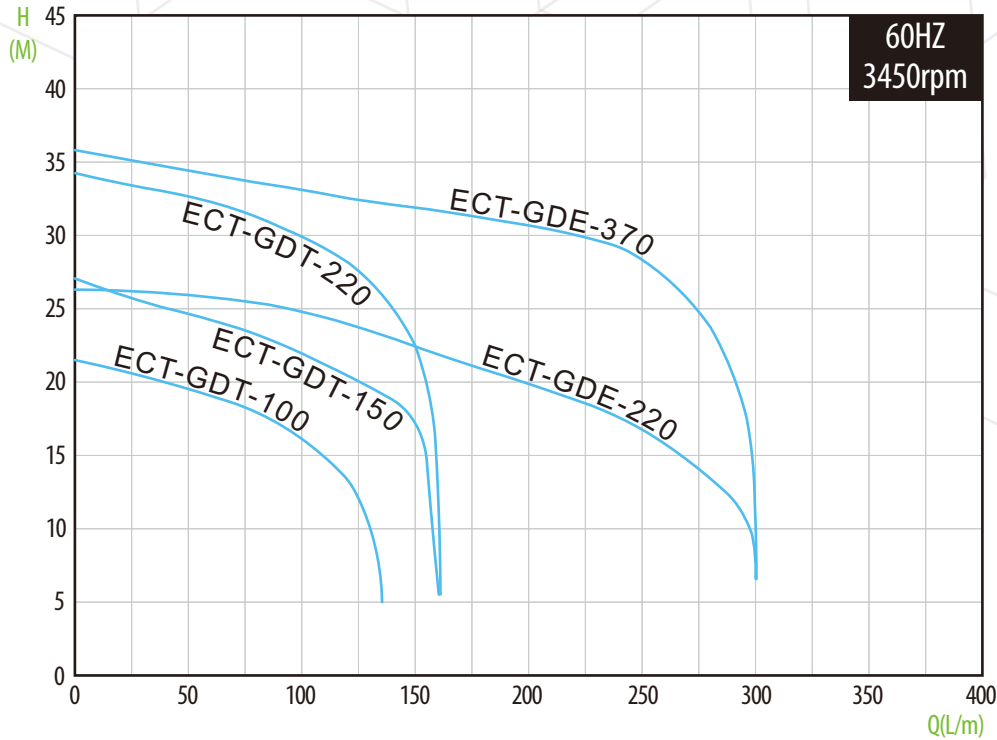




# ECT PUMP

# ECT-GD series Submersible Grinder Pump

## PERFORMANCE CURVE



## SPECIFICATION

Model	Power HP(kW)	Discharge Inch(mm)	Nominal Current(A)			Std. Head M	Std. Flow LPM	Max. Head M	Max. Flow LPM	Weight KG
			220 - 230V							
Single Phase & Auto Float Switch										
ECT-GDT(A)-1100-32	1.3 (1.0)	1¼" (32)	6.4 - 6.0			16	60	21	140	27(27.5)
ECT-GDT(A)-1150-32	2 (1.5)	1¼" (32)	10.0 - 9.5			24	60	26	160	36(36.5)

Model	Power HP(kW)	Discharge Inch(mm)	Nominal Current [A]			Std. Head M	Std. Flow LPM	Max. Head M	Max. Flow LPM	Weight KG
			220 - 230V	380 - 440V	460 - 480V					
Three Phase & With Elbow										
ECT-GDT-3100-32	1.3 (1.0)	1¼" (32)	4.2 - 4.0	2.4 - 2.0	2.0 - 1.9	16	60	21	140	25
ECT-GDT-3150-32	2 (1.5)	1¼" (32)	6.0 - 5.7	3.5 - 3.0	2.8 - 2.6	24	60	26	160	32
ECT-GDT-3220-32	3 (2.2)	1¼" (32)	8.6 - 8.2	5.0 - 4.3	4.1 - 3.9	30.5	60	34	160	35
ECT-GDE-3220-50	3 (2.2)	2" (50)	10.2 - 9.7	5.9 - 5.0	4.8 - 4.6	20	200	24.5	300	44
ECT-GDE-3370-50	5 (3.7)	2" (50)	13.8 - 13.2	8.0 - 6.9	6.6 - 6.3	31	200	36.5	300	47

ECT-GDT : Thread  
ECT-GDE : Elbow  
A : Auto Float Switch

# ECT-GD series

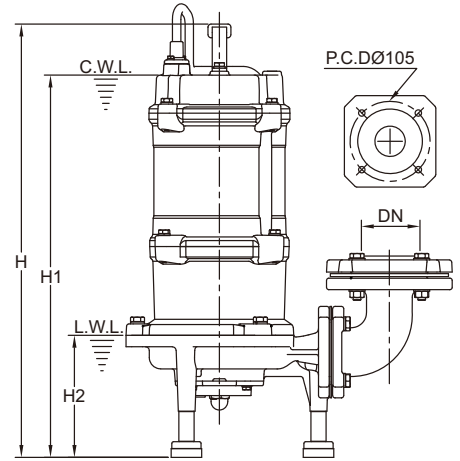
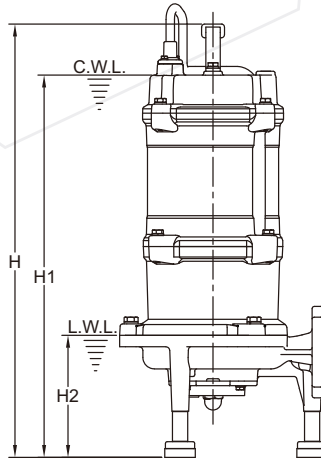
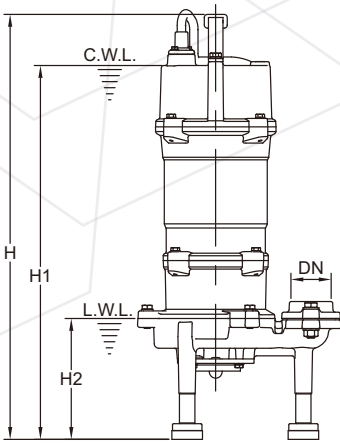
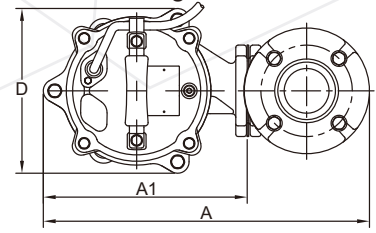
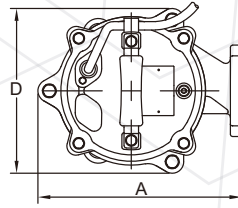
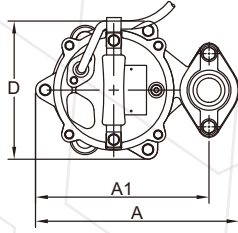
## Submersible Grinder Pump



# ECT PUMP

### DIMENSIONS

C.W.L. : Continuous running water level  
L.W.L. : Lowest running water level



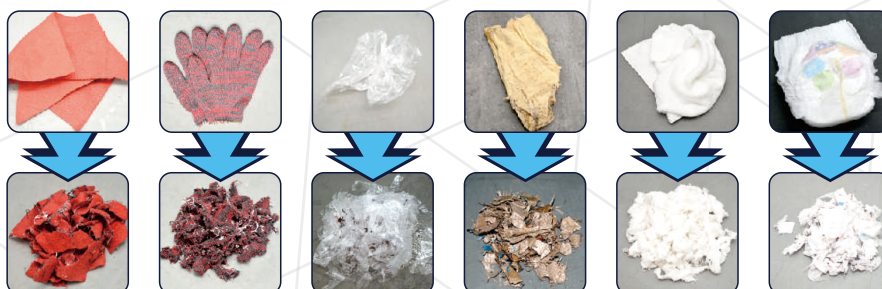
ECT-GDT  
For 1.3 & 2 HP

ECT-GD  
For 3 & 5 HP

ECT-GDE W/Elbow  
For 3 & 5 HP

Model	A	A1	D	H	H1	H2	DN (mm)	Cable	
								M	UL (AWG)
Single Phase & Auto Float Switch									
ECT-GDT(A)-1100-32	267	228	96	558	491	159	32	10	14AWGx3C
ECT-GDT(A)-1150-32	290	251	96	605	538	159	32	10	14AWGx3C
Three Phase									
ECT-GDT-3100-32	267	228	96	528	461	159	32	10	14AWGx4C
ECT-GDT-3150-32	290	251	96	550	483	159	32	10	14AWGx4C
ECT-GDT-3220-32	290	251	96	550	483	159	32	10	14AWGx4C
ECT-GD-3220-50	268	-	215	569	502	237	50	10	14AWGx4C
ECT-GD-3370-50	268	-	215	569	502	237	50	10	14AWGx4C
Three Phase & With Elbow									
ECT-GDE-3220-50	428	268	215	569	502	237	50	10	14AWGx4C
ECT-GDE-3370-50	428	268	215	569	502	237	50	10	14AWGx4C

### Cutting industry application

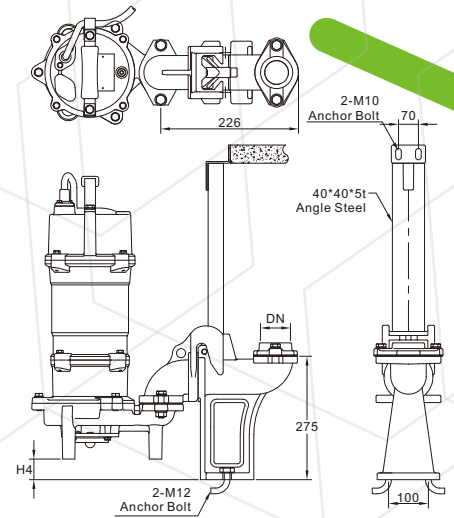




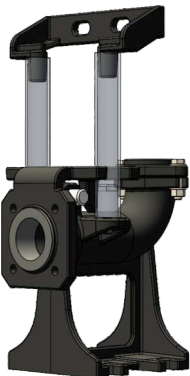
## TS-32



Pump Model	DN (mm)	Dimensions H1 (mm)
ECT-GDT Series For 1.3 HP	32	36
ECT-GDT Series For 2 & 3 HP	32	34



## TG-50



Pump Model	DN (mm)	Dimensions H1 (mm)
ECT-GDE Series For 3 & 5 HP	50	88

