



# ECT PUMP

## ECT-D series 60HZ

# Submersible Wastewater / Sump Pumps



### APPLICATIONS

1. Basement water removal
2. Waste water drainage
3. Water transfer
4. Sump / effluent handling
5. Dewatering
6. Fish pond & fountain circulation
7. Factory waste water handling

### Motor Data

1. Motor Type : 2 pole, dry type
2. Frequency : 60Hz
3. Nominal Speed : 3450 rpm
4. Insulation Class : F class (155°C)
5. Enclosure Protection Class : IP68
6. Protection Device :  
Thermal Protector (Single phase)  
Overload Protector (Three phase)

### Pump Data

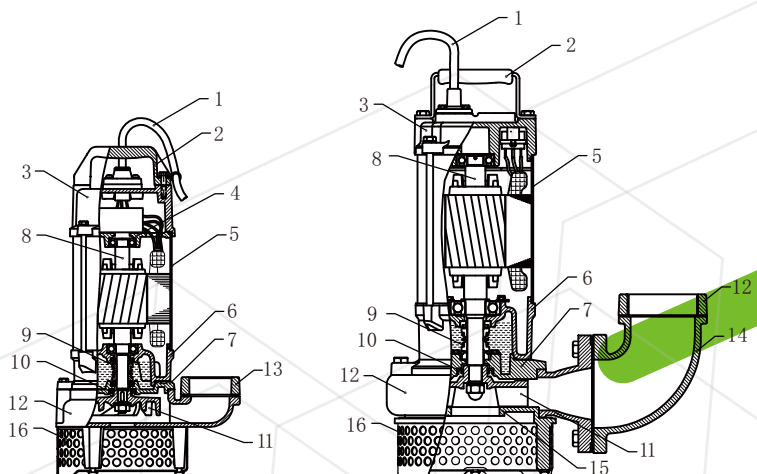
1. Impeller : Semi Open Impeller
2. Shaft Seal : Double Mechanical Seal+ oil seal
3. Bearing : Double-shielded Ball Bearing

### Operating Conditions

1. Fluid Temperature : 0 to 50°C(0-122°F)

### MATERIAL CONSTRUCTION

No.	Part	Materials
1	Cable	STOW_UL
2	Handle	Nylon6+30GF(0.5~1HP) AISI 304+NBR(2~5HP) SS41(7.5HP)
3	Motor Cover	FC200
4	Bearing Cap	FC200
5	Motor Frame	AISI 304
6	Bearing Bracket	FC200
7	M.Seal Bracket	FC200
8	Shaft	SUS 410
9	Mechanical Seal	CA / CE , SIC / SIC
10	Oil Seal	NBR 70
11	Impeller	FC200
12	Pump Casing	FC200
13	Flange	FC200
14	Elbow	FC200
15	Foot Casting	FC200
16	Strainer	AISI 304

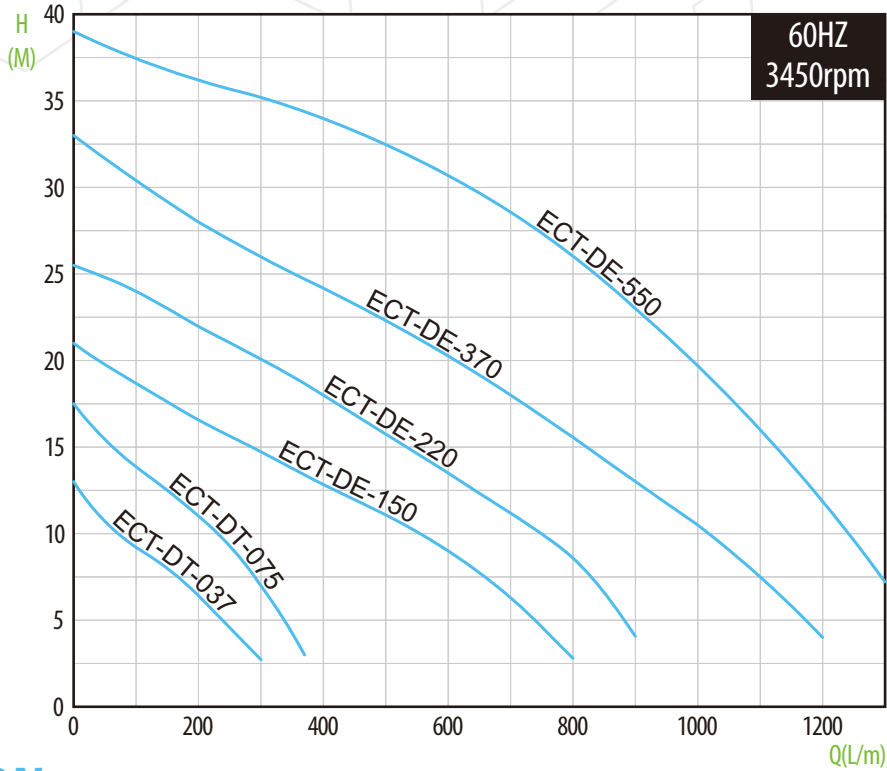




# ECT PUMP

## ECT-D series Technical Data

### PERFORMANCE CURVE



### SPECIFICATION

Model	Power HP(kW)	Discharge Inch(mm)	Nominal Current(A)		Capacitort (UF / V)		Std. Head M	Std. Flow LPM	Max. Head M	Max. Flow LPM	Weight KG
			110 - 127V	220 - 230V	110-127V	220-230V					
Single Phase & Auto Float Switch											
ECT-DT(A)-1037-50	0.5 (0.37)	2" (50)	6.6 - 5.7	3.3 - 3.1	50 / 250	12 / 450	7.5	170	13	300	16 / 16.5
ECT-DT(A)-1075-50	1 (0.75)	2" (50)	10.6 - 9.2	5.3 - 4.9	80 / 250	20 / 450	11	210	17.5	370	18 / 18.5
ECT-DE(A)-1150-50/80	2 (1.5)	2"/3" (50/80)	-	10.0 - 9.2	-	40 / 450	11.5	480	21	800	42.5 / 43

ECT-VT : Thread  
ECT-VE : Elbow  
A : Auto Float Switch

Model	Power HP(kW)	Discharge Inch(mm)	Nominal Current [A]			Std. Head M	Std. Flow LPM	Max. Head M	Max. Flow LPM	Weight KG
			220 - 230V	380 - 440V	460 - 480V					
Three Phase & With Elbow										
ECT-DT-3037-50	0.5 (0.37)	2"(50)	2.3 - 2.2	1.3 - 1.2	1.3 - 1.2	7.5	175	13	300	15
ECT-DT-3075-50	1 (0.75)	2"(50)	3.4 - 3.3	2.1 - 2.0	1.9 - 1.7	11	230	17.5	370	17
ECT-DE-3150-50/80	2 (1.5)	2"/3"(50/80)	6.3 - 6.0	3.6 - 3.4	3.2 - 3.0	11.5	475	21	810	36
ECT-DE-3220-50/80	3 (2.2)	2"/3"(50/80)	8.8 - 8.5	5.0 - 4.8	4.8 - 4.7	14	580	25.7	940	38.5
ECT-DE-3370-80/100	5 (3.7)	3"/4"(80/100)	13.6 - 13.0	8.0 - 7.8	7.5 - 7.3	21	590	33.2	1215	45
ECT-DE-3550-80/100	7.5 (5.5)	3"/4"(80/100)	20.0 - 18.5	12.0 - 11.0	10.5 - 9.5	29	680	39	1300	62

ECT-VT : Thread  
ECT-VE : Elbow  
A : Auto Float Switch

# ECT-D series Technical Data

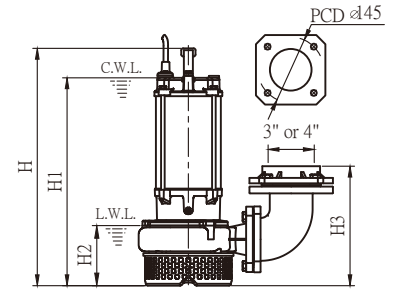
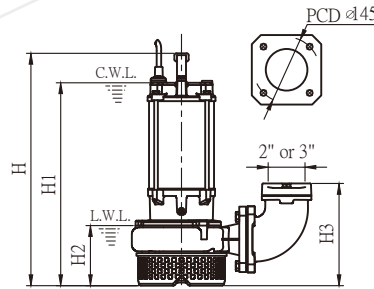
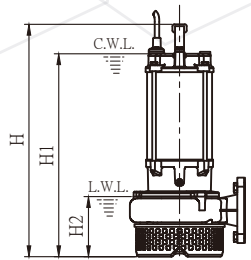
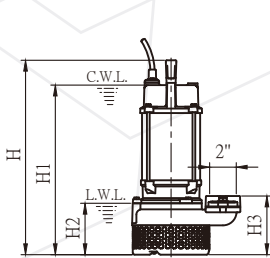
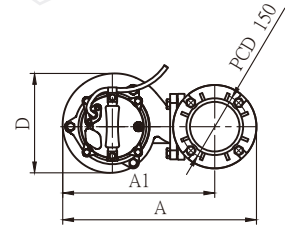
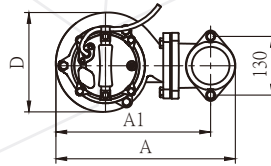
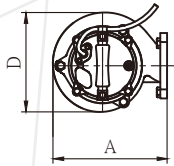
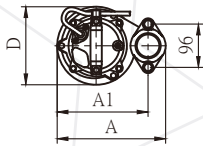


# ECT PUMP

## DIMENSIONS

C.W.L. : Continuous running water level

L.W.L. : Lowest running water level



**ECT-DT**  
For 0.5HP & 1HP

**ECT-D**  
For 2HP & 3HP  
For 5HP-3 3/4"

**ECT-DE W/Elbow**  
For 2HP & 3HP

**ECT-DE W/Elbow**  
For 5HP-3 3/4"

Model	A	A1	D	H	H1	H2	H3	Solid Passage (mm)	Cable	
									M	UL(AWG)
<b>Single Phase &amp; Auto Float Switch</b>										
ECT-DT(A)-1037-50	240	201	173	411	356	114	130	10	10	16AWGx3C
ECT-DT(A)-1075-50	240	201	173	431	376	114	130	10	10	16AWGx3C
ECT-D(A)-1150-50/80	398	343	220	506	441	133	227	10	10	14AWGx3C
<b>Three Phase</b>										
ECT-DT-3037-50	240	201	173	411	356	114	130	10	10	16AWGx4C
ECT-DT-3075-50	240	201	173	431	376	114	130	10	10	16AWGx4C
ECT-D-3150-50/80	398	-	220	506	441	133	-	10	10	14AWGX4C
ECT-D-3220-50/80	398	-	220	506	441	133	-	10	10	14AWGX4C
ECT-D-3370-80/100	430	-	220	526	461	133	-	10	10	14AWGX4C
ECT-D-3550-80/100	474	-	230	658	553	132	-	10	10	12AWGX4C
<b>With Elbow</b>										
ECT-DE-1150-50/80	398	343	220	506	441	133	227	10	10	14AWGx3C
ECT-DE-3150-50/80	398	343	220	506	441	133	227	10	10	14AWGx4C
ECT-DE-3220-50/80	398	343	220	506	441	133	227	10	10	14AWGx4C
ECT-DE-3370-80/100	430	337	220	526	461	133	265	10	10	14AWGx4C
ECT-DE-3550-80/100	474	380	230	658	553	132	265	10	10	12AWGx4C



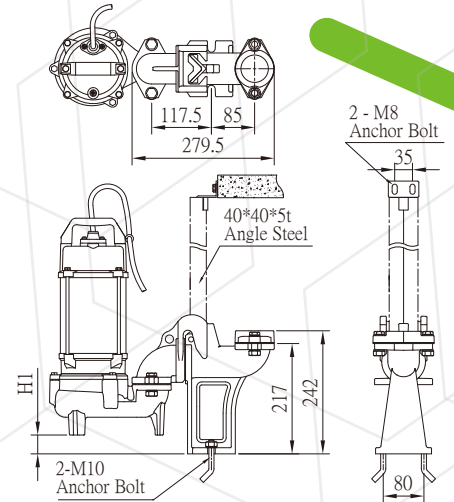
# ECT PUMP

## ECT-D series Guide Rail series

### TS-50



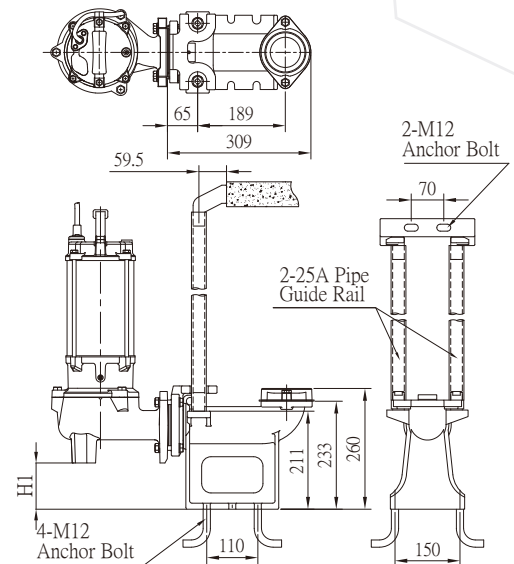
Pump Model	DN (mm)	Dimensions H1 (mm)
ECT-DT Series For 0.5 & 1 HP	50	31



### TM-50/80



Pump Model	DN (mm)	Dimensions H1 (mm)
ECT-DE Series For 2 & 3 HP	50 & 80	77.5



### TL-80/100



Pump Model	DN (mm)	Dimensions H1 (mm)
ECT-DE Series For 5 & 7.5 HP	80 & 100	104.5

