



ECT-V series 50HZ

Submersible Sewage / Effluent Pumps



Pump Data

1. Impeller : Semi Open Impeller
2. Shaft Seal : Double Mechanical Seal+ oil seal
3. Bearing : Double-shielded Ball Bearing

Operating Conditions

1. Fluid Temperature : 0 to 50°C(122°F)

Motor Data

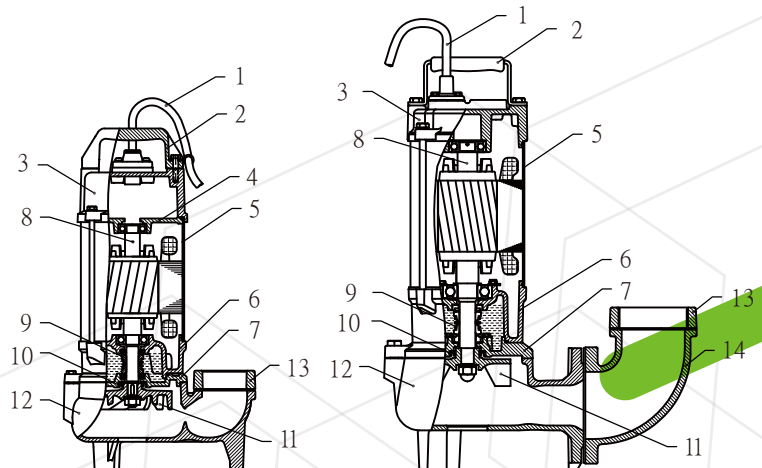
1. Motor Type : 2 pole, dry type
2. Frequency : 50Hz
3. Nominal Speed : 2850 rpm
4. Insulation Class : F class (155°C)
5. Enclosure Protection Class : IP68
6. Protection Device :
Thermal Protector (Single phase)
Overload Protector (Three phase)

APPLICATIONS

1. Basement water removal
2. Waste water drainage
3. Water transfer
4. Sump / effluent handling
5. Dewatering
6. Fish pond & fountain circulation
7. Factory waste water handling

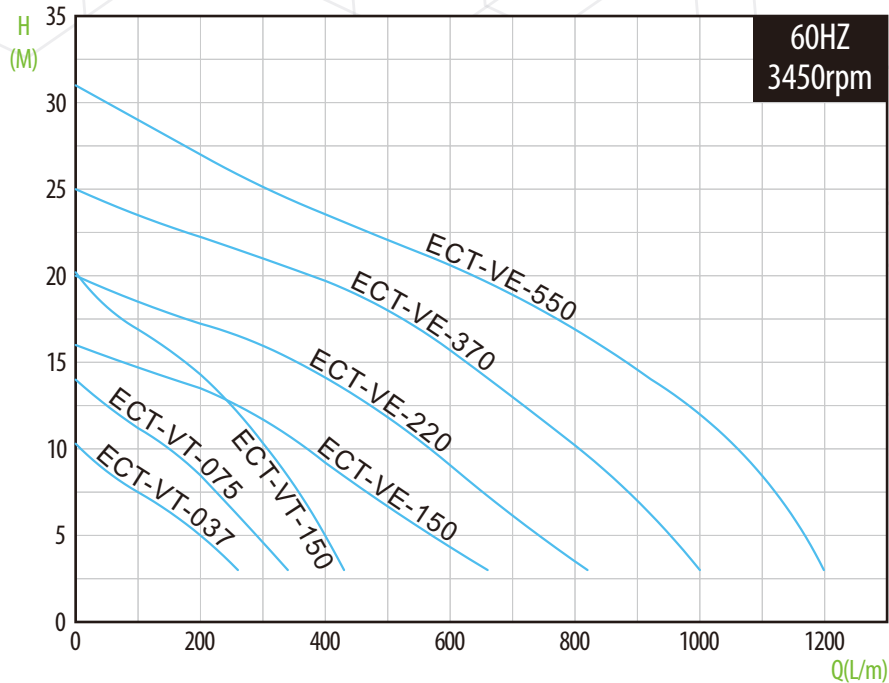
MATERIAL CONSTRUCTION

No.	Part	Materials
1	Cable	H07RN-F
2	Handle	Nylon6+30GF(0.5~1HP) AISI 304+NBR(2~7.5HP)
3	Motor Cover	FC200
4	Bearing Cap	FC200
5	Motor Frame	AISI 304
6	Bearing Bracket	FC200
7	M.Seal Bracket	FC200
8	Shaft	SUS 410
9	Mechanical Seal	CA / CE , SIC / SIC
10	Oil Seal	NBR 70
11	Impeller	FC200
12	Pump Casing	FC200
13	Flange	FC200
14	Elbow	FC200





PERFORMANCE CURVE



SPECIFICATION

Model	Power HP(kW)	Discharge Inch(mm)	Nominal Current(A)		Std. Head M	Std. Flow LPM	Max. Head M	Max. Flow LPM	Weight KG
			220 - 240V	Capacitort (UF / V) 220-240V					
Single Phase & Auto Float Switch									
ECT-VT(A)-1037-50	0.5 (0.37)	2" (50)	3.6 - 3.4	12 / 450	6	150	10	280	17 / 17.5
ECT-VT(A)-1075-50	1 (0.75)	2" (50)	5.2 - 4.8	20 / 450	8	200	13.5	350	18.5 / 19
ECT-VT(A)-1150-50	2 (1.5)	2" (50)	10.0 - 9.2	40 / 450	14	200	20.2	415	30 / 30.5
ECT-VE(A)-1150-50/80	2 (1.5)	2"/3" (50/80)	10.0 - 9.2	40 / 450	8.5	400	16	680	37 / 37.5

ECT-VT : Thread
ECT-VE : Elbow
A : Auto Float Switch

Model	Power HP(kW)	Discharge Inch(mm)	Nominal Current [A]		Std. Head M	Std. Flow LPM	Max. Head M	Max. Flow LPM	Weight KG
			220 - 240V	380 - 415V					
Three Phase & With Elbow									
ECT-VT-3037-50	0.5 (0.37)	2"(50)	2.5 - 2.3	1.5 - 1.3	6	150	10	280	16
ECT-VT-3075-50	1 (0.75)	2"(50)	3.5 - 3.2	2.0 - 1.8	8	200	13.5	350	17.5
ECT-VT-3150-50	2 (1.5)	2" (50)	6.5 - 6.0	3.7 - 3.5	14	200	20.2	415	27
ECT-VE-3150-50/80	2 (1.5)	2"/3"(50/80)	6.5 - 6.0	3.7 - 3.5	8.5	400	16	680	34
ECT-VE-3220-50/80	3 (2.2)	2"/3"(50/80)	8.7 - 8.0	5.0 - 4.6	12.5	400	19.5	810	36.5
ECT-VE-3370-80/100	5 (3.7)	3"/4"(80/100)	14.2 - 13.0	8.2 - 7.6	16.5	500	24.9	1010	40.5
ECT-VE-3550-80/100	7.5 (5.5)	3"/4"(80/100)	21.0 - 19.3	12.0 - 11.0	20	640	31	1200	61

ECT-VT : Thread
ECT-VE : Elbow
A : Auto Float Switch

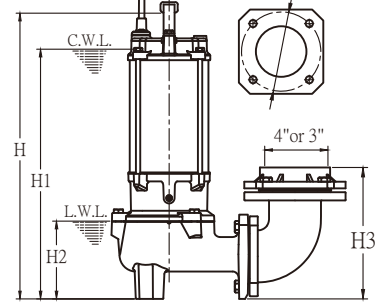
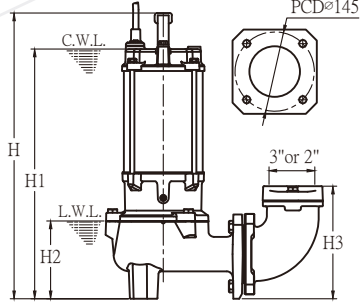
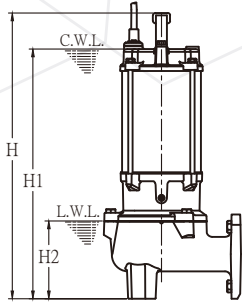
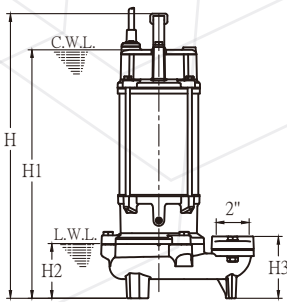
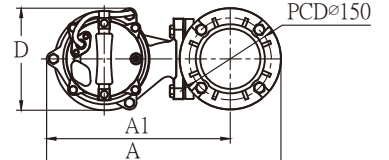
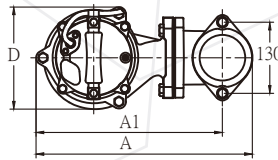
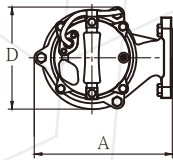
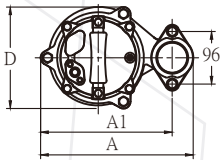


ECT-V series Technical Data

DIMENSIONS

C.W.L. : Continuous running water level

L.W.L. : Lowest running water level



ECT-VT
For 0.5HP & 1HP
& 2HP

ECT-V
For 2HP & 3HP
For 5HP & 7.5HP-3 3/4"

ECT-VE W/Elbow
For 2HP & 3HP

ECT-VE W/Elbow
For 5HP & 7.5HP
-3 3/4"

Model	A	A1	D	H	H1	H2	H3	Solid Passage (mm)	Cable	
									M	H07 RN-F
Single Phase & Auto Float Switch										
ECT-VT(A)-1037-50	240	201	153	406	352	110	124	35	10	3G1.0mm ²
ECT-VT(A)-1075-50	240	201	153	426	372	110	124	35	10	3G1.0mm ²
ECT-VT(A)-1150-50	279	240	186	513	445	100	112	35	10	3G1.5mm ²
ECT-V(A)-1150-50/80	252	-	186	555	488	141	-	50	10	3G1.5mm ²
Three Phase										
ECT-VT-3037-50	240	201	153	406	352	110	124	35	10	4G1.0mm ²
ECT-VT-3075-50	240	201	153	426	375	110	124	35	10	4G1.0mm ²
ECT-VT-3150-50	279	240	186	480	414	100	112	35	10	4G1.5mm ²
ECT-V-3150-50/80	255	-	186	522	456	141	-	50	10	4G1.5mm ²
ECT-V-3220-50/80	255	-	186	522	456	141	-	50	10	4G1.5mm ²
ECT-V-3370-80/100	255	-	186	542	476	141	-	50	10	4G2.5mm ²
ECT-V-3550-80/100	294	-	227	680	579	158	-	50	10	4G2.5mm ²
With Elbow										
ECT-VE-1150-50/80	395	340	186	555	488	141	205	50	10	3G1.5mm ²
ECT-VE-3150-50/80	395	340	186	522	456	141	205	50	10	4G1.5mm ²
ECT-VE-3220-50/80	395	340	186	522	456	141	205	50	10	4G1.5mm ²
ECT-VE-3370-80/100	428	335	186	542	476	141	240	50	10	4G2.5mm ²
ECT-VE-3550-80/100	472	380	227	680	579	158	253	50	10	4G2.5mm ²



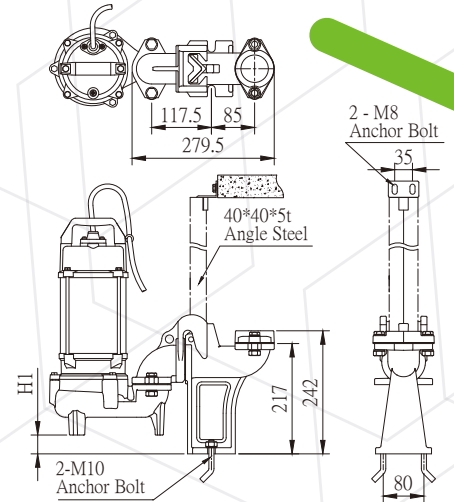
ECT PUMP

ECT-V series Guide Rail series

TS-50



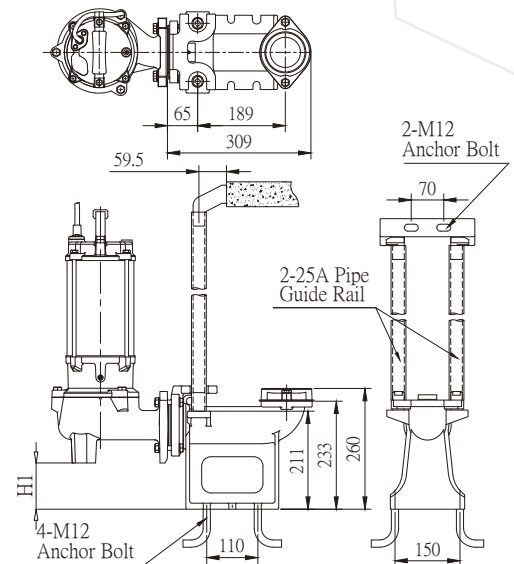
Pump Model	DN (mm)	Dimensions H1 (mm)
ECT-VT Series For 0.5 & 1 HP	50	37
ECT-VT Series For 2 HP	50	45



TM-50/80



Pump Model	DN (mm)	Dimensions H1 (mm)
ECT-VE Series For 2 & 3 HP	50 & 80	99.5



TL-80/100



Pump Model	DN (mm)	Dimensions H1 (mm)
ECT-VE Series For 5 & 7.5 HP	80 & 100	126.5

