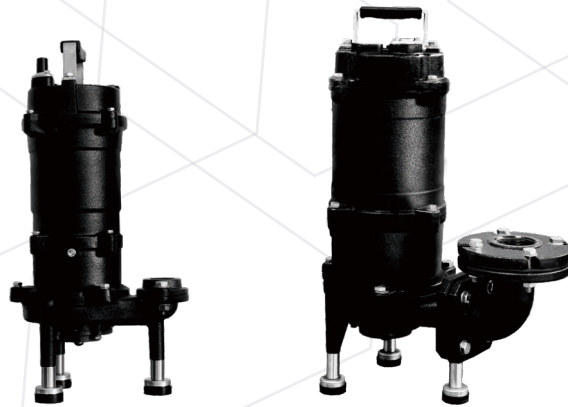


ECT-GD series 50Hz



ECT PUMP

Submersible Grinder Pump



FEATURES

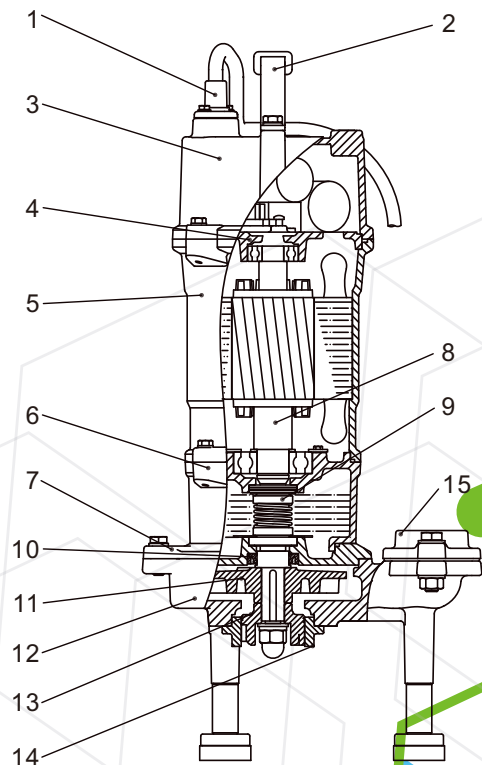
1. Robust construction.
2. Superior Heat Dissipation.
3. Macerating Impellor for cutting up materials.
4. Double mechanical seals Upper : CA/CE
Lower : SIC/SIC

APPLICATIONS

1. General household use, Drainage systems for Buildings, Apartments, Resorts and Wastewater systems.
2. Materials such as leather, textile fibres, food and other tougher objects can be pumped.
3. Wastewater systems for Domestic, Commercial, Industrial, Municipal, Schools, Hospitals and many other uses.
4. Sewage and Drainage systems.

MATERIAL CONSTRUCTION

No.	Part	Materials
1	Cable	H07RN-F
2	Handle	AISI 304+NBR
3	Motor Cover	FC200
4	Bearing Cap	FC200
5	Motor Frame	FC200
6	Bearing Bracket	FC200
7	M.Seal Bracket	FC200
8	Shaft	AISI 410
9	Mechanical Seal	CA/CE , SIC / SIC
10	Oil Seal	NER70
11	Impeller	FC250
12	Pump Casing	FC200
13	Radidl Cutter	AISI 440C
14	Cutter Ring	AISI 440C
15	Flange	FC200

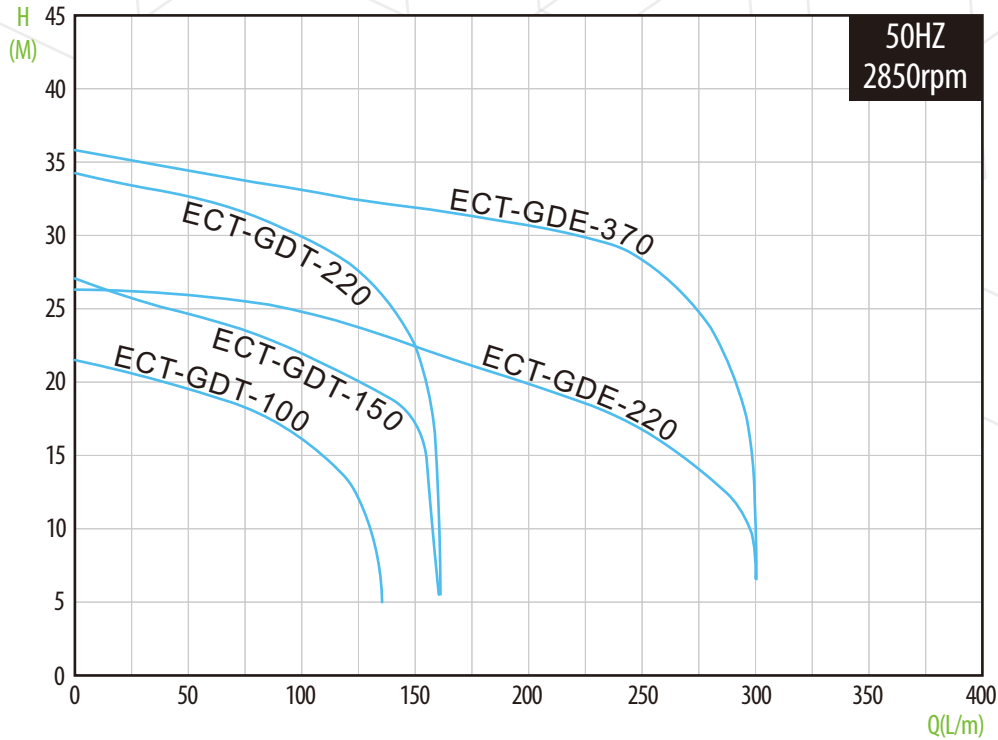




ECT PUMP

ECT-GD series Submersible Grinder Pump

PERFORMANCE CURVE



SPECIFICATION

Model	Power HP(kW)	Discharge Inch(mm)	Nominal Current(A)	Std. Head M	Std. Flow LPM	Max. Head M	Max. Flow LPM	Weight KG
			220 - 240V					
Single Phase & Auto Float Switch								
ECT-GDT(A)-1100-32	1.3 (1.0)	1¼" (32)	6.6 - 6.4	16	60	21	140	27(27.5)
ECT-GDT(A)-1150-32	2 (1.5)	1¼" (32)	10.4 - 10.0	24	60	26	160	36(36.5)

Model	Power HP(kW)	Discharge Inch(mm)	Nominal Current [A]		Std. Head M	Std. Flow LPM	Max. Head M	Max. Flow LPM	Weight KG
			220 - 240V	380 - 440V					
Three Phase & With Elbow									
ECT-GDT-3100-32	1.3 (1.0)	1¼" (32)	4.4 - 4.1	2.4 - 2.3	16	60	21	140	25
ECT-GDT-3150-32	2 (1.5)	1¼" (32)	6.4 - 5.9	3.6 - 3.4	24	60	26	170	32
ECT-GDT-3220-32	3 (2.2)	1¼" (32)	9.0 - 8.3	5.1 - 4.8	32	60	34	170	35
ECT-GDE-3220-50	3 (2.2)	2" (50)	10.0 - 9.2	5.6 - 5.2	20	200	25	300	44
ECT-GDE-3370-50	5 (3.7)	2" (50)	14.6 - 13.5	8.2 - 7.7	27	200	31.5	300	47

ECT-GDT : Thread
ECT-GDE : Elbow
A : Auto Float Switch

ECT-GD series

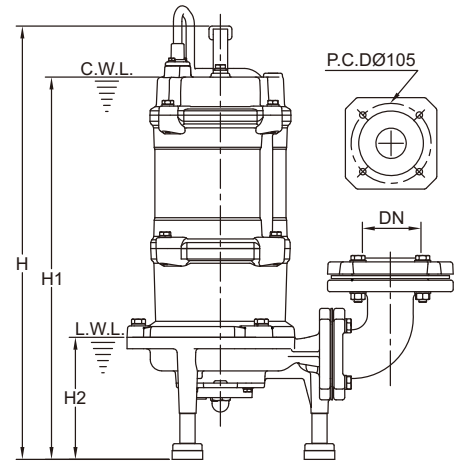
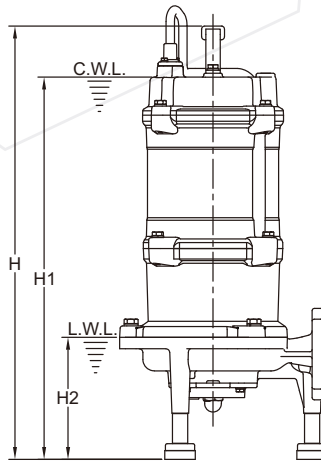
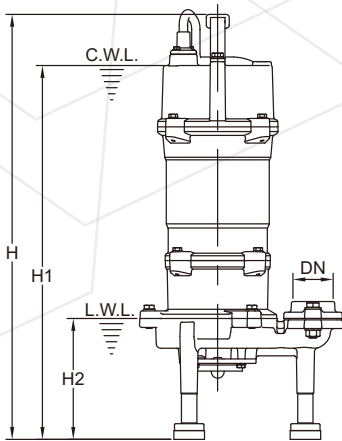
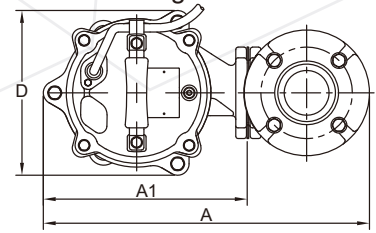
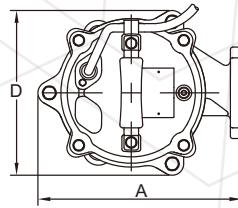
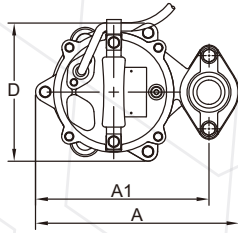
Submersible Grinder Pump



ECT PUMP

DIMENSIONS

C.W.L. : Continuous running water level
L.W.L. : Lowest running water level



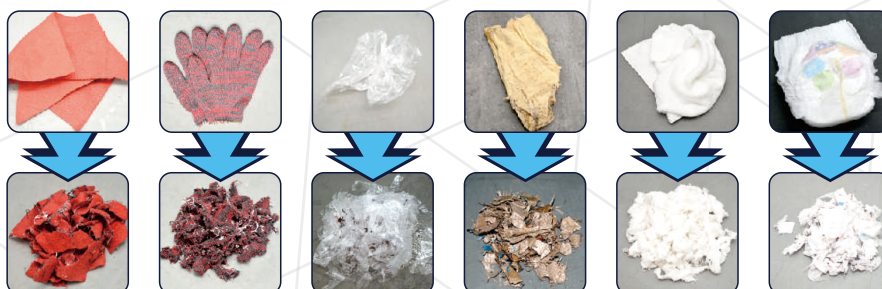
ECT-GDT
For 1.3 & 2 HP

ECT-GD
For 3 & 5 HP

ECT-GDE W/Elbow
For 3 & 5 HP

Model	A	A1	D	H	H1	H2	DN (mm)	Cable	
								M	H07 RN-F
Single Phase & Auto Float Switch									
ECT-GDT(A)-1100-32	267	228	96	558	491	159	32	10	H07 1.5x3G
ECT-GDT(A)-1150-32	290	251	96	605	538	159	32	10	H07 1.5x3G
Three Phase									
ECT-GDT-3100-32	267	228	96	528	461	159	32	10	H07 1.5x4G
ECT-GDT-3150-32	290	251	96	550	483	159	32	10	H07 1.5x4G
ECT-GDT-3220-32	290	251	96	550	483	159	32	10	H07 1.5x4G
ECT-GD-3220-50	268	-	215	569	502	237	50	10	H07 1.5x4G
ECT-GD-3370-50	268	-	215	569	502	237	50	10	H07 2.5x4G
Three Phase & With Elbow									
ECT-GDE-3220-50	428	268	215	569	502	237	50	10	H07 1.5x4G
ECT-GDE-3370-50	428	268	215	569	502	237	50	10	H07 2.5x4G

Cutting industry application

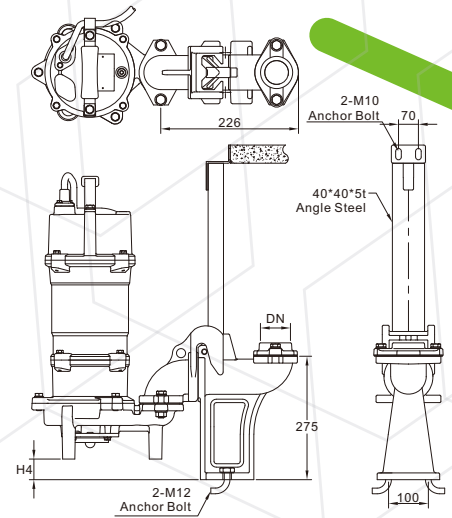




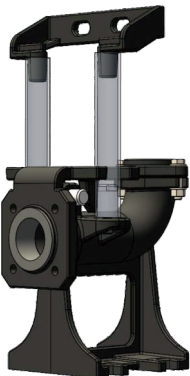
TS-32



Pump Model	DN (mm)	Dimensions H1 (mm)
ECT-GDT Series For 1.3 HP	32	36
ECT-GDT Series For 2 & 3 HP	32	34



TG-50



Pump Model	DN (mm)	Dimensions H1 (mm)
ECT-GDE Series For 3 & 5 HP	50	88

