



ECT-D series 50HZ

Submersible Wastewater / Sump Pumps



APPLICATIONS

1. Basement water removal
2. Waste water drainage
3. Water transfer
4. Sump / effluent handling
5. Dewatering
6. Fish pond & fountain circulation
7. Factory waste water handling

Motor Data

1. Motor Type : 2 pole, dry type
2. Frequency : 50Hz
3. Nominal Speed : 2850 rpm
4. Insulation Class : F class (155°C)
5. Enclosure Protection Class : IP68
6. Protection Device :
Thermal Protector (Single phase)
Overload Protector (Three phase)

Pump Data

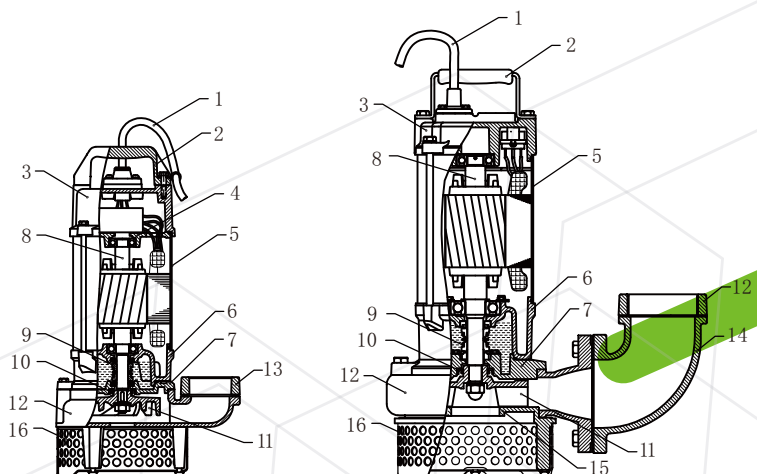
1. Impeller : Semi Open Impeller
2. Shaft Seal : Double Mechanical Seal+ oil seal
3. Bearing : Double-shielded Ball Bearing

Operating Conditions

1. Fluid Temperature : 0 to 50°C(0-122°F)

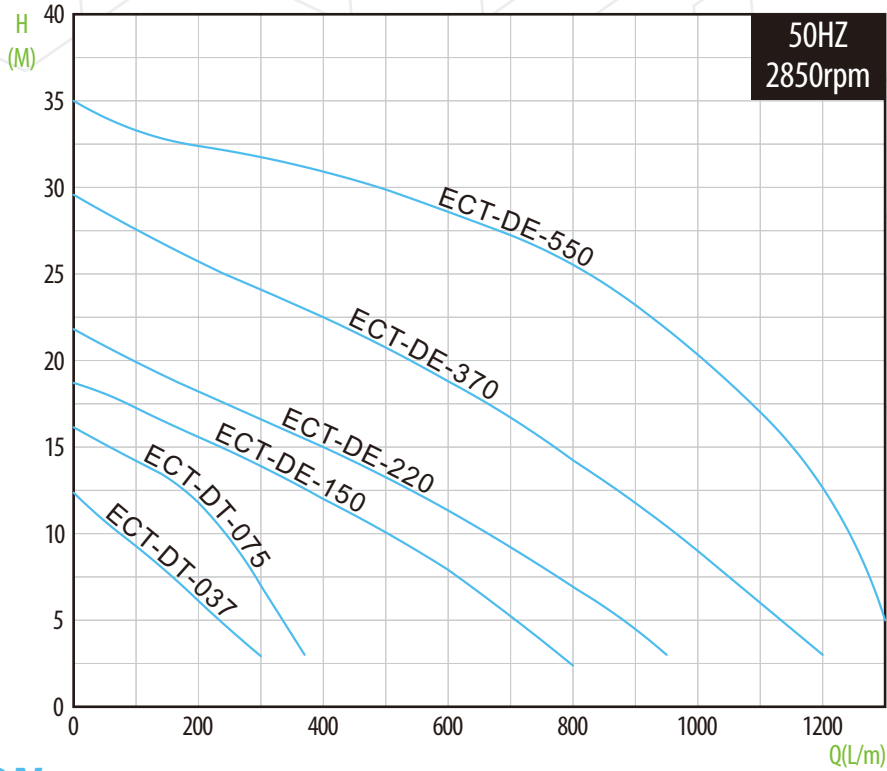
MATERIAL CONSTRUCTION

No.	Part	Materials
1	Cable	H07RN-F
2	Handle	Nylon6+30GF(0.5~1HP) AISI 304+NBR(2~5HP) SS41(7.5HP)
3	Motor Cover	FC200
4	Bearing Cap	FC200
5	Motor Frame	AISI 304
6	Bearing Bracket	FC200
7	M.Seal Bracket	FC200
8	Shaft	SUS 410
9	Mechanical Seal	CA / CE , SIC / SIC
10	Oil Seal	NBR 70
11	Impeller	FC200
12	Pump Casing	FC200
13	Flange	FC200
14	Elbow	FC200
15	Foot Casting	FC200
16	Strainer	AISI 304





PERFORMANCE CURVE



SPECIFICATION

Model	Power HP(kW)	Discharge Inch(mm)	Nominal Current(A)		Capacitort (UF / V)		Std. Head M	Std. Flow LPM	Max. Head M	Max. Flow LPM	Weight KG
			220 - 240V		220-240V						
Single Phase & Auto Float Switch											
ECT-DT(A)-1037-50	0.5 (0.37)	2" (50)	3.6 - 3.4		12 / 450		7.5	170	12	300	16 / 16.5
ECT-DT(A)-1075-50	1 (0.75)	2" (50)	5.2 - 4.8		20 / 450		11	220	16.5	370	18 / 18.5
ECT-DE(A)-1150-50/80	2 (1.5)	2"/3" (50/80)	10.0 - 9.2		40 / 450		10.3	525	18.9	800	42.5 / 43

ECT-VT : Thread
ECT-VE : Elbow
A : Auto Float Switch

Model	Power HP(kW)	Discharge Inch(mm)	Nominal Current [A]		Std. Head M	Std. Flow LPM	Max. Head M	Max. Flow LPM	Weight KG		
			220 - 240V							380 - 415V	
Three Phase & With Elbow											
ECT-DT-3037-50	0.5 (0.37)	2"(50)	2.5 - 2.3		1.2 - 1.1		7.5	170	12	300	15
ECT-DT-3075-50	1 (0.75)	2"(50)	3.5 - 3.2		2.0 - 1.8		11	220	16.5	370	17
ECT-DE-3150-50/80	2 (1.5)	2"/3"(50/80)	6.5 - 6.0		3.7 - 3.5		10.3	525	18.9	800	36
ECT-DE-3220-50/80	3 (2.2)	2"/3"(50/80)	8.7 - 8.0		5.0 - 4.6		13.5	500	22	965	38.5
ECT-DE-3370-80/100	5 (3.7)	3"/4"(80/100)	14.2 - 13.0		8.2 - 7.6		20	485	29.6	1200	45
ECT-DE-3550-80/100	7.5 (5.5)	3"/4"(80/100)	21.0 - 19.3		12.0 - 11.0		26	780	35	1300	62

ECT-VT : Thread
ECT-VE : Elbow
A : Auto Float Switch

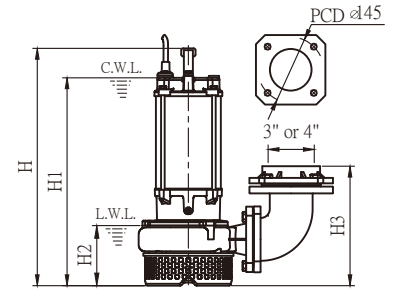
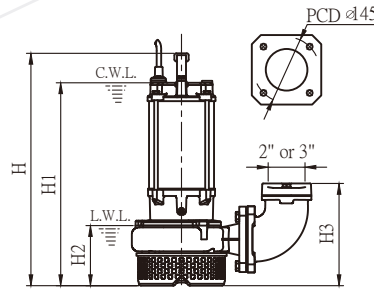
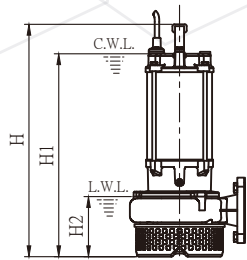
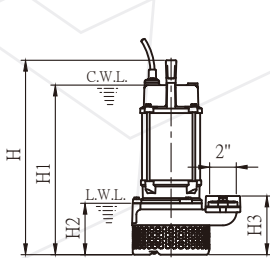
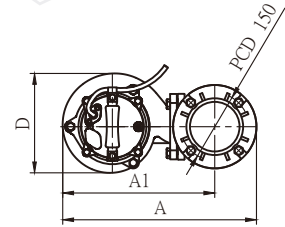
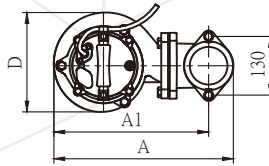
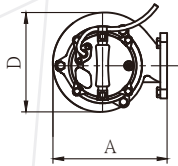
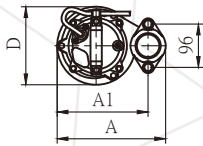


ECT-D series Technical Data

DIMENSIONS

C.W.L. : Continuous running water level

L.W.L. : Lowest running water level



ECT-DT
For 0.5HP & 1HP

ECT-D
For 2HP & 3HP
For 5HP-3 1/4"

ECT-DE W/Elbow
For 2HP & 3HP

ECT-DE W/Elbow
For 5HP-3 1/4"

Model	A	A1	D	H	H1	H2	H3	Solid Passage (mm)	Cable	
									M	H07 RN-F
Single Phase & Auto Float Switch										
ECT-DT(A)-1037-50	240	201	173	411	356	114	130	10	10	3G1.0mm ²
ECT-DT(A)-1075-50	240	201	173	431	376	114	130	10	10	3G1.0mm ²
ECT-D(A)-1150-50/80	398	343	220	506	441	133	227	10	10	3G1.5mm ²
Three Phase										
ECT-DT-3037-50	240	201	173	411	356	114	130	10	10	4G1.0mm ²
ECT-DT-3075-50	240	201	173	431	376	114	130	10	10	4G1.0mm ²
ECT-D-3150-50/80	398	-	220	506	441	133	-	10	10	4G1.5mm ²
ECT-D-3220-50/80	398	-	220	506	441	133	-	10	10	4G1.5mm ²
ECT-D-3370-80/100	430	-	220	526	461	133	-	10	10	4G2.5mm ²
ECT-D-3550-80/100	474	-	230	658	553	132	-	10	10	4G2.5mm ²
With Elbow										
ECT-DE-1150-50/80	398	343	220	506	441	133	227	10	10	3G1.5mm ²
ECT-DE-3150-50/80	398	343	220	506	441	133	227	10	10	4G1.5mm ²
ECT-DE-3220-50/80	398	343	220	506	441	133	227	10	10	4G1.5mm ²
ECT-DE-3370-80/100	430	337	220	526	461	133	265	10	10	4G2.5mm ²
ECT-DE-3550-80/100	474	380	230	658	553	132	265	10	10	4G2.5mm ²



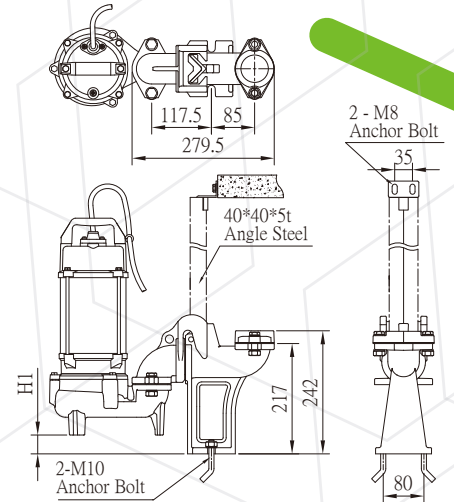
ECT PUMP

ECT-D series Guide Rail series

TS-50



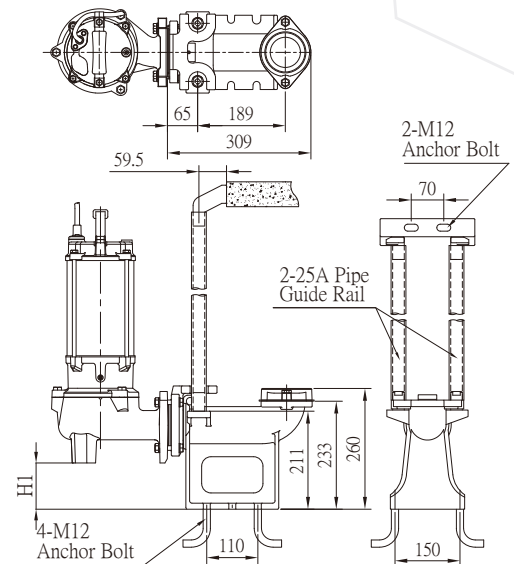
Pump Model	DN (mm)	Dimensions H1 (mm)
ECT-DT Series For 0.5 & 1 HP	50	31



TM-50/80



Pump Model	DN (mm)	Dimensions H1 (mm)
ECT-DE Series For 2 & 3 HP	50 & 80	77.5



TL-80/100



Pump Model	DN (mm)	Dimensions H1 (mm)
ECT-DE Series For 5 & 7.5 HP	80 & 100	104.5

