

OKTZ series 50 / 60Hz



ECT PUMP

Best Slurry Pump



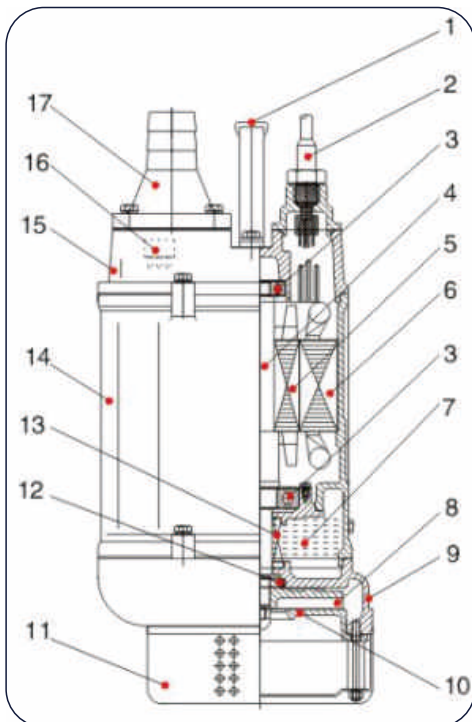
APPLICATION

1. Civil engineering
2. Mines, quarries, coal ore & slurries
3. Sewage treatment plants
4. General pumping purposes

PUMP DATA

1. Capacity : up to 146 M³/h
2. Head : up to 40 meters
3. Power : 1.5Kw(2HP) to 11Kw(15HP)
4. Power supply : three phase 380V±10%, 50HZ 2900rpm / 60HZ 3500rpm
5. Insulation class : F
6. Protection class : IP68
7. Cable : Length 8m
8. Water temperature : up to 40°C
9. Max. water depth : 50m

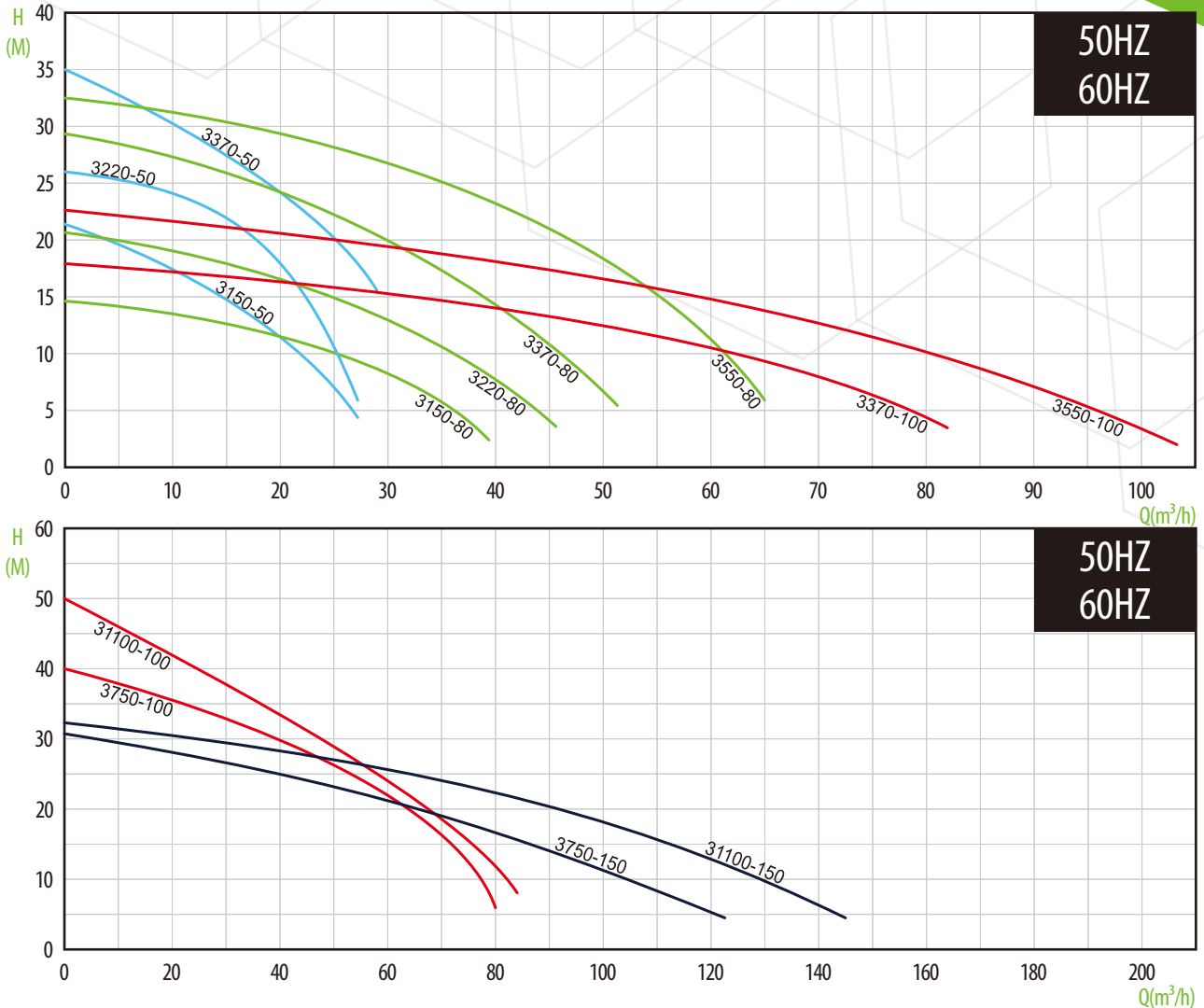
MATERIAL



NO	Part name	Materials
1	Handle	Rubber & steel
2	Cable	2PNCT-F
3	Bearing	Ball Bearing
4	Shaft	AISI420SS
5	Rotor	
6	Stator	
7	Lube oil	
8	Impeller	High chrome alloy or ductile iron
9	Pump body	Cast iron
10	End Plate	Ductile iron
11	Filter	Steel
12	Oil seal bracket	
13	Mechanical seal	SIC/SIC
14	Motor body	Cast iron
15	Upper cover	Cast iron
16	Motor protector	
17	House coupling	Cast iron



PERFORMANCE CURVE



SPECIFICATION

Model	Power HP(kW)	Discharge Inch(mm)	Frequency Hz	Pole P	Max. Head M	Max. Flow M³/h	Solid Passage mm	N.W KG	G.W KG	Packing Dimension(mm)		
										L	W	H
OKTZ-3150-50	2 (1.5)	2" (50)	50 / 60	2	22	27	8.5	34.5	37.5	275	250	585
OKTZ-3220-50	3 (2.2)	2" (50)	50 / 60	2	26	27	8.5	36	39	275	250	585
OKTZ-3370-50	5 (3.7)	2" (50)	50 / 60	2	34	29	8.5	60	65	315	280	675
OKTZ-3150-80	2 (1.5)	3" (80)	50 / 60	2	14.5	40	8.5	34.5	37	275	250	585
OKTZ-3220-80	3 (2.2)	3" (80)	50 / 60	2	21	50	8.5	36	39	275	250	585
OKTZ-3370-80	5 (3.7)	3" (80)	50 / 60	2	29	55	8.5	60	65	315	280	675
OKTZ-3550-80	7.5 (5.5)	3" (80)	50 / 60	2	32	70	8.5	77	84	350	345	725
OKTZ-3370-100	5 (3.7)	4" (100)	50 / 60	2	18	90	8.5	61	66	315	280	675
OKTZ-3550-100	7.5 (5.5)	4" (100)	50 / 60	2	23	105	8.5	78	85	350	345	725
OKTZ-3750-100	10 (7.5)	4" (100)	50 / 60	2	40	84	11.5	105	114	365	395	805
OKTZ-31100-100	15 (11)	4" (100)	50 / 60	2	48.5	86.4	11.5	130	140	415	445	855
OKTZ-3750-150	10 (7.5)	6" (150)	50 / 60	2	31	124.8	19.5	106	114	365	395	835
OKTZ-31100-150	15 (11)	6" (150)	50 / 60	2	32	147	19.5	133	143	415	445	855