

OGNWQ series 50 / 60Hz ECT PUMP

Cutting Pump

Non-clogging Sewage Submersible Pump



FEATURES

Epoxy Cable Base

An epoxy resin seal cable base prevents moisture from entering the motor through the core wires.

Auto-cut motor protector

Auto-cut thermal protector the Auto-cut protector will be activated and cut the power off automatically if motor run in abnormal electric and excess.

Heavy duty bearing

from 3Kw use 3pcs heavy duty bearing

Mechanical Seal

A double mechanical seal consists of two seals arranged in a series. Superior abrasion resistant mechanical seal manufactured with silicon carbide to ensure the best seal effect.

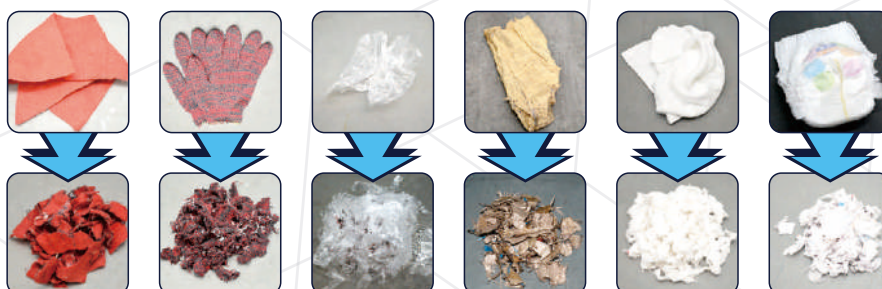
Cutter Impeller With Cutter Ring

1. the impeller with non clogging design with design right
2. material for the impeller and cutter ring: high-chromium stainless steel 420 and the hardness is HRC49-52 provide good wearing resistance

APPLICATION

1. Drainage of wastewater in river, waste water treatment factory.
2. Commercial building, industrial area and amusement place drainage.
3. School, hospital, government building and park drainage.
4. Chicken farm, cow farm, pig farm, fish farm, slaughterhouse drainage.

Cutting industry application





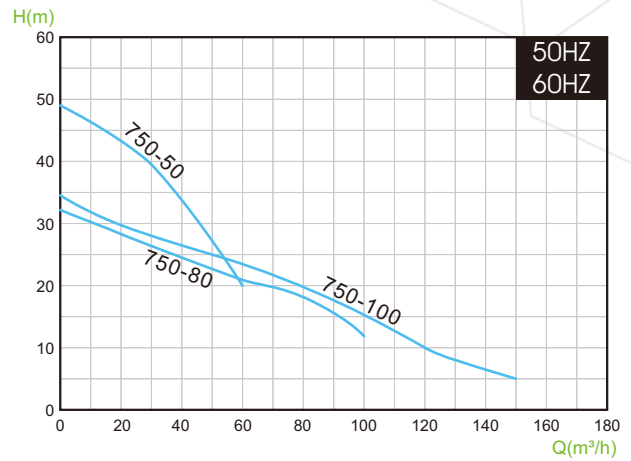
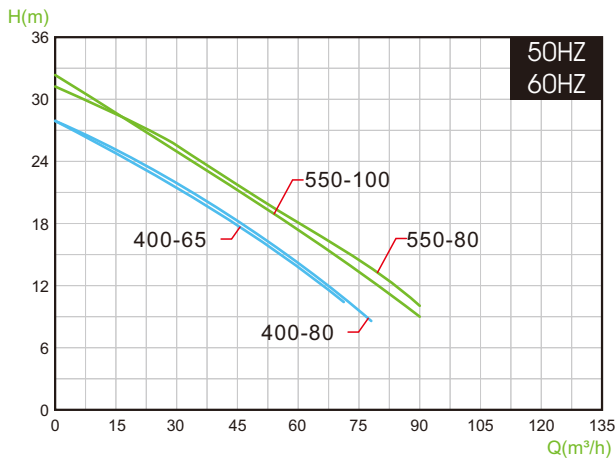
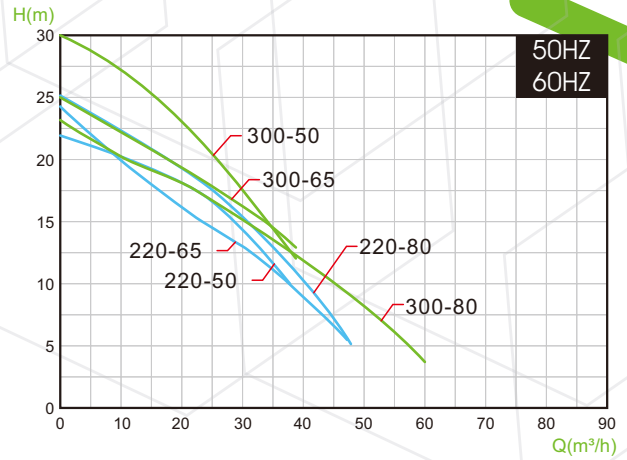
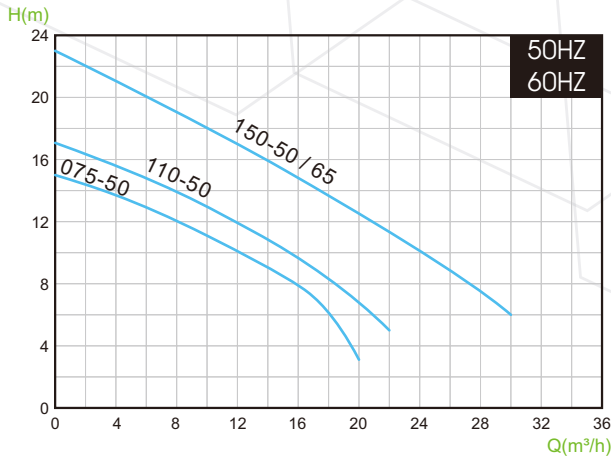
ECT PUMP

OGNWQ series 2P

Cutting Pump

Non-clogging Sewage Submersible Pump

PERFORMANCE CURVE (2P)



SPECIFICATION (2P)

Model	Power HP(kW)	Discharge Inch(mm)	Frequency Hz	Pole P	Phase Ø	Start	Std. Head M	Std. Flow M³/h	Solid Passage mm	Weight KG
OGNWQ-1075-50	1 (0.75)	2" (50)	50 / 60	2	1	direct	10	10	20	23.55
OGNWQ-3075-50	1 (0.75)	2" (50)	50 / 60	2	3	direct	10	10	20	23.55
OGNWQ-1110-50	1.5 (1.1)	2" (50)	50 / 60	2	1	direct	10	12	20	23.7
OGNWQ-3110-50	1.5 (1.1)	2" (50)	50 / 60	2	3	direct	10	12	20	23.7
OGNWQ-1150-50	2 (1.5)	2" (50)	50 / 60	2	1	direct	15	15	20	37.25
OGNWQ-3150-50	2 (1.5)	2" (50)	50 / 60	2	3	direct	15	15	20	37.25
OGNWQ-3150-65	2 (1.5)	2.5" (65)	50 / 60	2	3	direct	10	25	26	36.1
OGNWQ-3220-50	3 (2.2)	2" (50)	50 / 60	2	3	direct	22	9	20	40.1
OGNWQ-3220-65	3 (2.2)	2.5" (65)	50 / 60	2	3	direct	15	25	26	41.4
OGNWQ-3220-80	3 (2.2)	3" (80)	50 / 60	2	3	direct	9	45	32	43.4
OGNWQ-3300-50	4 (3)	2" (50)	50 / 60	2	3	direct	22	20	20	45.8
OGNWQ-3300-65	4 (3)	2.5" (65)	50 / 60	2	3	direct	15	35	26	46.6
OGNWQ-3300-80	4 (3)	3" (80)	50 / 60	2	3	direct	13	43	32	47.4
OGNWQ-3400-65	5.5 (4)	2.5" (65)	50 / 60	2	3	direct	22	25	26	52.2
OGNWQ-3400-80	5.5 (4)	3" (80)	50 / 60	2	3	direct	17	45	32	52.9
OGNWQ-3550-80	7.5 (5.5)	3" (80)	50 / 60	2	3	direct	20	45	32	62.15
OGNWQ-3550-100	7.5 (5.5)	4" (100)	50 / 60	2	3	direct	15	65	40	63.6
OGNWQ-3750-50	10 (7.5)	2" (50)	50 / 60	2	3	direct	40	20	20	70.8
OGNWQ-3750-80	10 (7.5)	3" (80)	50 / 60	2	3	direct	25	45	32	72
OGNWQ-3750-100	10 (7.5)	4" (100)	50 / 60	2	3	direct	15	100	40	73.5

OGNWQ series 2P



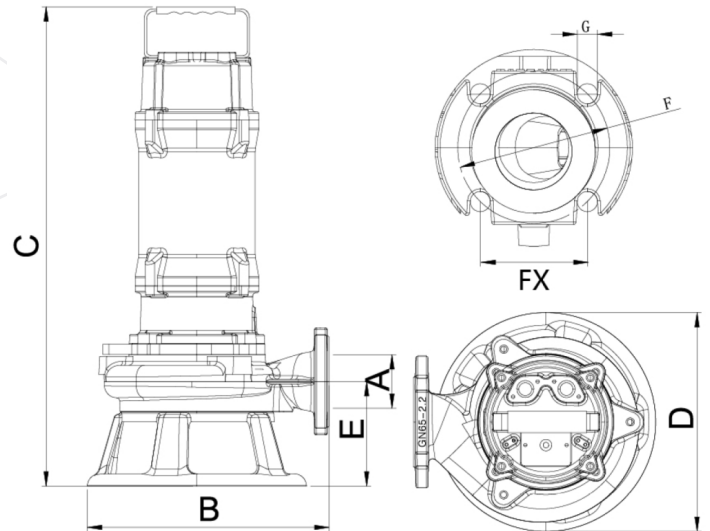
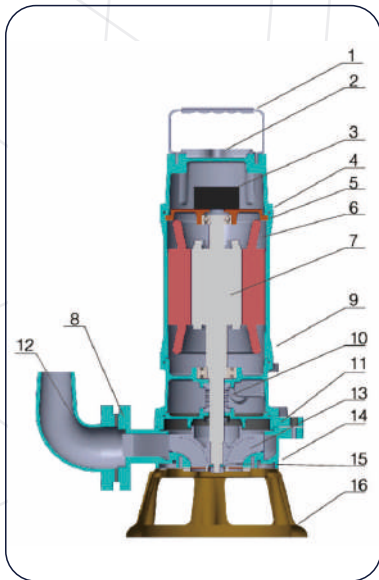
ECT PUMP

Cutting Pump

Non-clogging Sewage Submersible Pump

MATERIAL CONSTRUCTION (2P)

DIMENSIONS (2P)



NO	Part name	NO	Part name
1	Handle	9	Motor body
2	Cable	10	Mechanical seal
3	Capacitor	11	Screw
4	Cap	12	Elbow
5	Thermal protector	13	Impeller
6	Stator	14	Pump body
7	Rotor	15	Cutter ring
8	Outlet	16	Base

Model	Dimensions(mm)						
	A	B	C	D	E	F	G
OGNWQ-1075-50	40	205	430	175	74	110	15
OGNWQ-3075-50	40	205	430	175	74	110	15
OGNWQ-1110-50	40	205	568	175	74	110	15
OGNWQ-3110-50	40	205	568	175	74	110	15
OGNWQ-1150-50	50	250	568	240	117	110	15
OGNWQ-3150-50	50	250	568	240	117	110	15
OGNWQ-3150-65	60	250	568	240	117	110	156
OGNWQ-3220-50	50	295	585	265	127	130	15
OGNWQ-3220-65	65	295	585	265	127	130	15
OGNWQ-3220-80	80	295	585	265	127	130	15
OGNWQ-3300-50	50	280	575	240	123	110	15
OGNWQ-3300-65	65	280	575	240	123	110	15
OGNWQ-3300-80	80	280	575	240	123	110	15
OGNWQ-3400-65	65	315	590	265	127	130	15
OGNWQ-3400-80	80	315	590	265	127	130	15
OGNWQ-3550-80	80	325	650	268	131	160	18
OGNWQ-3550-100	100	325	650	268	131	160	18
OGNWQ-3750-50	50	335	660	285	137	160	18
OGNWQ-3750-80	80	335	660	285	137	160	18
OGNWQ-3750-100	100	335	660	285	137	160	18

Item		Description
Limits of Use	Liquid Temp	0~40°C(32~104°F)
	Applications	residential wastewater sewage
Type	Frequency	50Hz / 60Hz
	Motor	2P · Dry motor
	Insulation	2P : Class B (Class F is option)
	Protection	IP68
	Protector	2P : Auto-cut thermal protector for single phase(three phase without)
	Bearing	Ball type
	Mechanical seal	Double M.seals
Impeller	Vortex non-clogging cutter impeller	



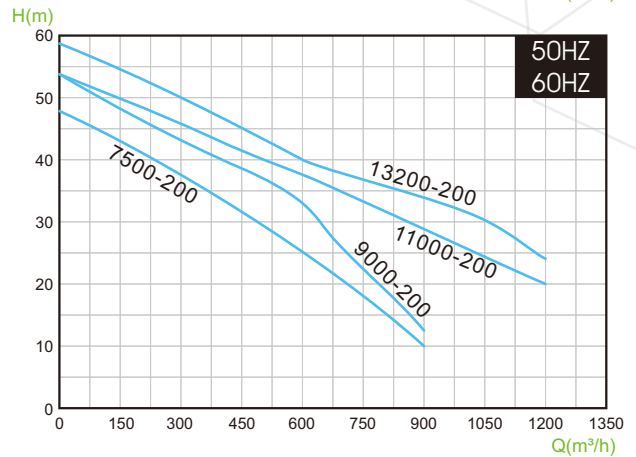
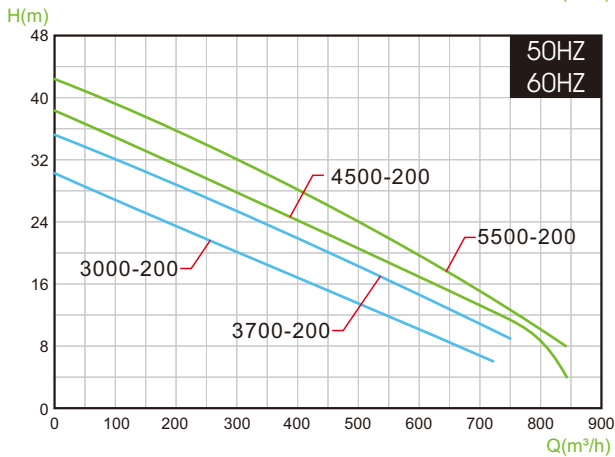
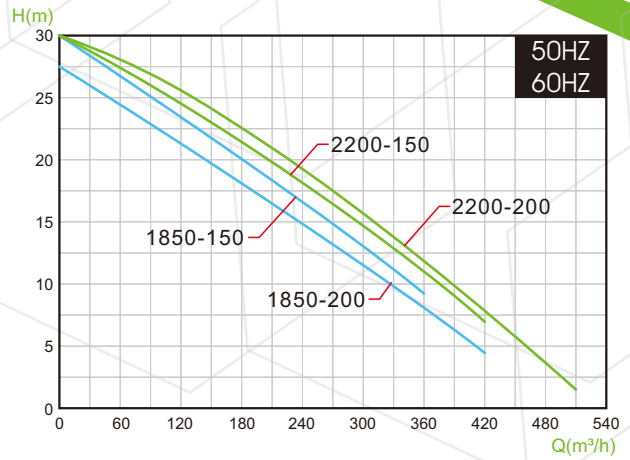
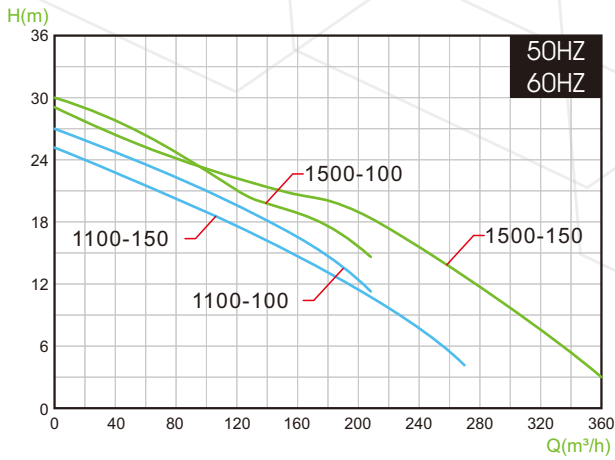
ECT PUMP

OGNWQ series 4P

Cutting Pump

Non-clogging Sewage Submersible Pump

PERFORMANCE CURVE (4P)



SPECIFICATION (4P)

Model	Power HP(kW)	Discharge Inch(mm)	Frequency Hz	Pole P	Phase Ø	Start	Std. Head M	Std. Flow M ³ /h	Solid Passage mm	Weight KG
OGNWQ4-31100-100	15 (11)	4" (100)	50 / 60	4	3	direct / delta	25	80	40	219
OGNWQ4-31100-150	15 (11)	6" (150)	50 / 60	4	3	direct / delta	15	150	60	226
OGNWQ4-31500-100	20 (15)	4" (100)	50 / 60	4	3	direct / delta	30	80	40	233
OGNWQ4-31500-150	20 (15)	6" (150)	50 / 60	4	3	direct / delta	15	200	60	241
OGNWQ4-31850-150	25 (18.5)	6" (150)	50 / 60	4	3	direct / delta	15	250	60	325
OGNWQ4-31850-200	25 (18.5)	8" (200)	50 / 60	4	3	direct / delta	12	350	80	334
OGNWQ4-32200-150	30 (22)	6" (150)	50 / 60	4	3	direct / delta	22	200	60	350
OGNWQ4-32200-200	30 (22)	8" (200)	50 / 60	4	3	direct / delta	10	400	80	359
OGNWQ4-33000-200	41 (30)	8" (200)	50 / 60	4	3	direct / delta	9	600	80	505
OGNWQ4-33700-200	50 (37)	8" (200)	50 / 60	4	3	direct / delta	12	600	80	538
OGNWQ4-34500-200	61 (45)	8" (200)	50 / 60	4	3	direct / delta	15	600	80	554
OGNWQ4-35500-200	75 (55)	8" (200)	50 / 60	4	3	direct / delta	20	600	80	772
OGNWQ4-37500-200	102 (75)	8" (200)	50 / 60	4	3	direct / delta	25	600	80	812
OGNWQ4-39000-200	122 (90)	8" (200)	50 / 60	4	3	direct / delta	30	600	80	1095
OGNWQ4-311000-200	136 (110)	8" (200)	50 / 60	4	3	direct / delta	25	1000	80	1210
OGNWQ4-318000-200	180 (132)	8" (200)	50 / 60	4	3	direct / delta	30	1000	80	1350

OGNWQ series 4P



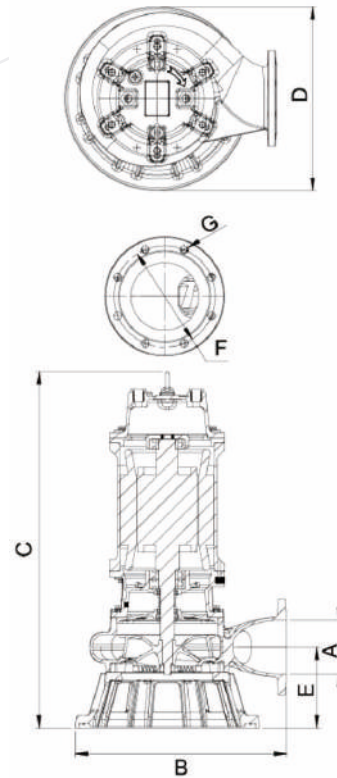
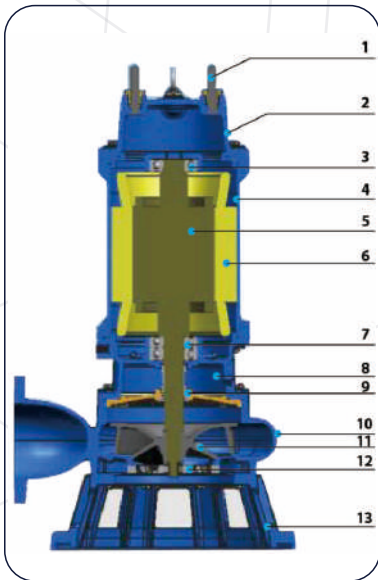
ECT PUMP

Cutting Pump

Non-clogging Sewage Submersible Pump

MATERIAL CONSTRUCTION (4P)

DIMENSIONS (4P)



NO	Part name	NO	Part name
1	Cable	8	Lubricant
2	Motor upper cover	9	Mechanical seal
3	Bearing	10	Pump casing
4	Motor frame	11	Impeller
5	Motor Rotor	12	Cutter ring
6	Motor stator	13	Base
7	Bearing		

Item		Description
Limits of Use	Liquid Temp	0~40°C(32~104°F)
	Applications	residential wastewater sewage
Type	Frequency	50Hz / 60Hz
	Motor	4P · Dry motor
	Insulation	4P : Class F
	Protection	IP68
	Protector	4P : Thermal protect for motor, bearing, moisture sensor.(other protector in control box)
	Bearing	Ball type
	Mechanical seal	Double M.seals
	Impeller	Vortex non-clogging cutter impeller

Model	Dimensions(mm)						
	A	B	C	D	E	F	G
OGNWQ4-31100-100	100	578	1038	475	170	18	219
OGNWQ4-31100-150	150	588	988	510	225	18	226
OGNWQ4-31500-100	100	578	1038	475	170	18	233
OGNWQ4-31500-150	150	588	1018	510	225	18	241
OGNWQ4-31850-150	150	618	1080	510	225	18	325
OGNWQ4-31850-200	200	618	1135	520	295	22	334
OGNWQ4-32200-150	150	618	1080	510	225	18	350
OGNWQ4-32200-200	200	618	1135	520	295	22	39
OGNWQ4-33000-200	200	730	1240	620	295	22	505
OGNWQ4-33700-200	200	730	1240	620	295	22	538
OGNWQ4-34500-200	200	730	1285	620	295	22	554
OGNWQ4-35500-200	200	835	1396	735	295	22	772
OGNWQ4-37500-200	200	835	1461	735	295	22	812
OGNWQ4-39000-200	200	835	1520	735	295	22	1095
OGNWQ4-311000-200	200	835	1580	735	295	22	1210
OGNWQ4-318000-200	200	835	1630	735	295	22	1350