

ECT-HW series
ECT-HWS series

ECT-HH series

Hot Water Circulator Pump
Booster Pump Of Water Heater



ECT PUMP

50 / 60Hz



ECT-HW



ECT-HWS



ECT-HH

ECT-HW and ECT-HWS and ECT-HH series

Hot water pumps constitute a complete range of 3-speed circulator pumps, available both in 50 and 60Hz.

The pumps can be used in both open and closed systems.

ECT-HW & ECT-HH pumps are of the canned-motor type, i.e. pump and motor form an integral unit without a shaft seal and with only two ceramic bearing for sealing. The bearings are lubricated by the pumped liquid.

APPLICATIONS

Hot water circulator pumps are designed for circulation of liquids in heating and air-conditioning systems.

- One- and two-pipe heating systems
- Main pumps
- Zone pumps
- Boiler shunt pumps
- Calorifiers
- Underfloor heating systems
- Solar heating systems
- Heat pump systems
- Geothermal heating systems
- Heat recovery systems
- Two-pipe air-conditioning systems
- Pumps for refrigeration units

FEATURES

- Low noise
- Low energy
- Available with corrosion-resistant stainless steel pump casing
- High volume fo water
- Easy to installation

OPTIONAL ACCESSORIES



Plastic Base



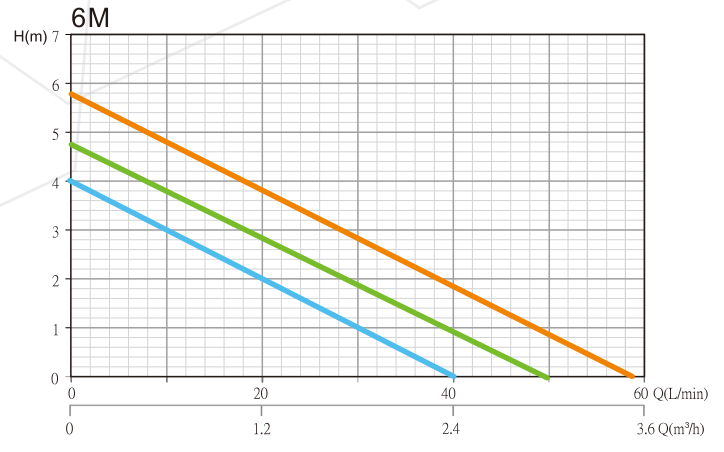
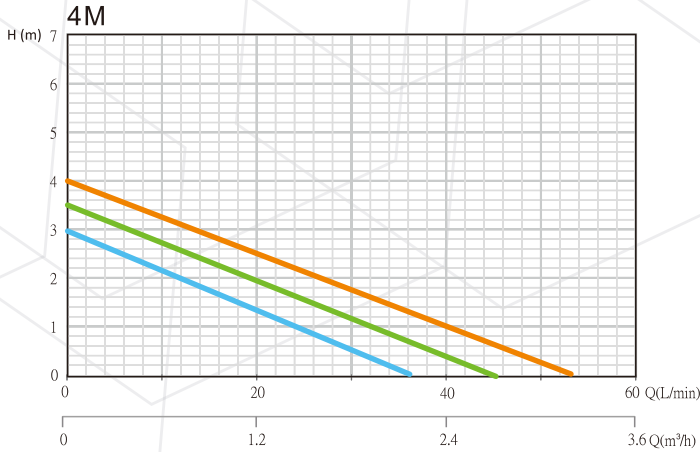
ECT-HW



ECT PUMP

Hot Water Circulator Pump

PERFORMANCE CURVES

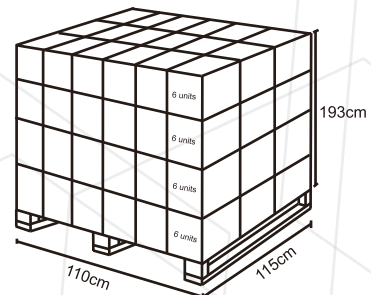
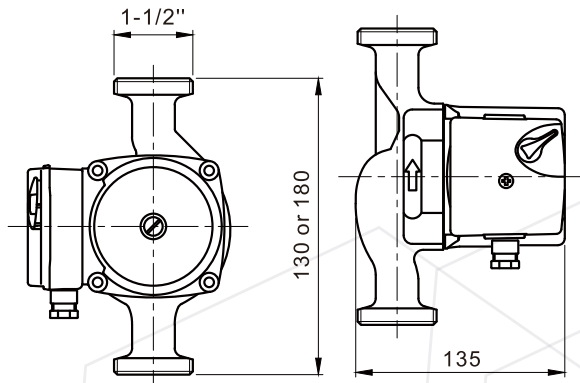


SPECIFICATIONS

Model	HZ	Phase	Voltage	Power	Head	Flow	Current	input/output	Weight	Carton per pallet	Pallet size
ECT-HW-25-40-130	50	1 ϕ	220V-240V	62.4/53.7/43.7	4	3.2	0.27	1-1/2"	2.3	6	60
ECT-HW-25-40-180	50	1 ϕ	220V-240V	62.4/53.7/43.7	4	3.2	0.27	1-1/2"	2.6	6	60
ECT-HW-25-60-130	50	1 ϕ	220V-240V	73.5/59.7/46.6	6	3.5	0.32	1-1/2"	2.3	6	60
ECT-HW-25-60-180	50	1 ϕ	220V-240V	73.5/59.7/46.6	6	3.5	0.32	1-1/2"	2.6	6	60

Model	HZ	Phase	Voltage	Power	Head	Flow	Current	input/output	Weight	Carton per pallet	Pallet size
ECT-HW-25-60-130	60	1 ϕ	110V	80.0/65.0/50.0	6	3.5	0.37	1-1/2"	2.3	6	60
ECT-HW-25-60-180	60	1 ϕ	110V	80.0/65.0/50.0	6	3.5	0.37	1-1/2"	2.6	6	60
ECT-HW-25-60-130	60	1 ϕ	110V	80.0/65.0/50.0	6	3.5	0.73	1-1/2"	2.3	6	60
ECT-HW-25-60-180	60	1 ϕ	110V	80.0/65.0/50.0	6	3.5	0.73	1-1/2"	2.6	6	60

DIMENSIONS

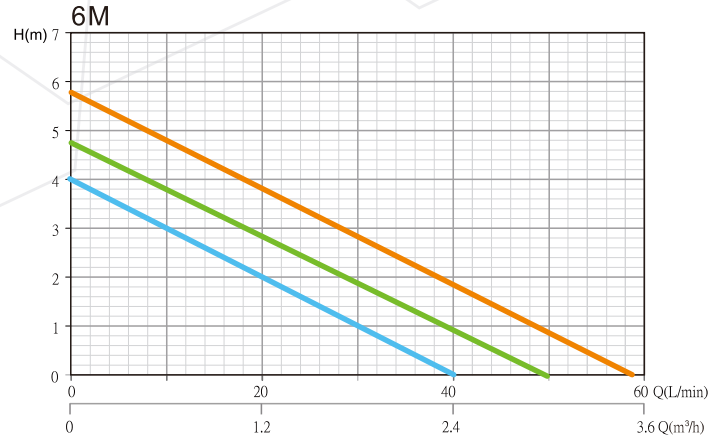
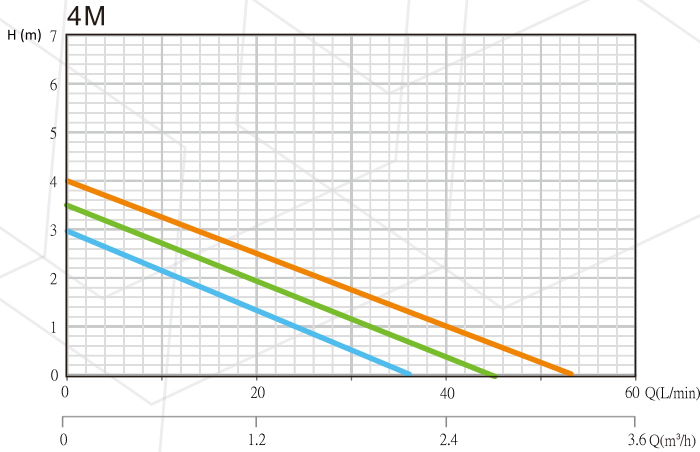




ECT-HWS

Mini Booster Pump

PERFORMANCE CURVES

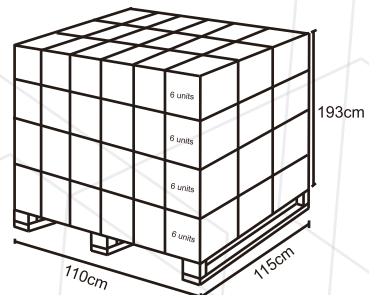
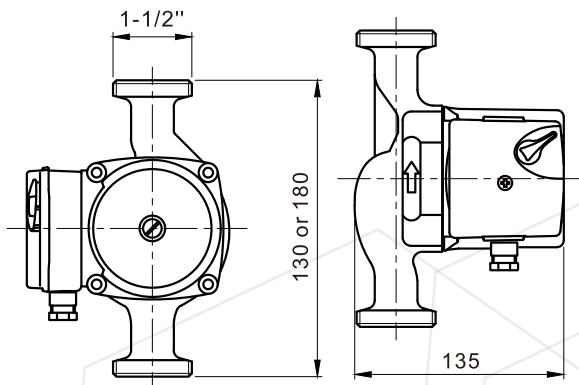


SPECIFICATIONS

Model	HZ	Phase	Voltage	Power	Head	Flow	Current	input/output	Weight	Carton per pallet	Pallet size
ECT-HWS-25-40-130	50	1 ϕ	220V-240V	62.4/53.7/43.7	4	3.2	0.27	1-1/2"	2.3	6	60
ECT-HWS-25-40-180	50	1 ϕ	220V-240V	62.4/53.7/43.7	4	3.2	0.27	1-1/2"	2.6	6	60
ECT-HWS-25-60-130	50	1 ϕ	220V-240V	73.5/59.7/46.6	6	3.5	0.32	1-1/2"	2.3	6	60
ECT-HWS-25-60-180	50	1 ϕ	220V-240V	73.5/59.7/46.6	6	3.5	0.32	1-1/2"	2.6	6	60

Model	HZ	Phase	Voltage	Power	Head	Flow	Current	input/output	Weight	Carton per pallet	Pallet size
ECT-HWS-25-60-130	60	1 ϕ	110V	80.0/65.0/50.0	6	3.5	0.37	1-1/2"	2.3	6	60
ECT-HWS-25-60-180	60	1 ϕ	110V	80.0/65.0/50.0	6	3.5	0.37	1-1/2"	2.6	6	60
ECT-HWS-25-60-130	60	1 ϕ	110V	80.0/65.0/50.0	6	3.5	0.73	1-1/2"	2.3	6	60
ECT-HWS-25-60-180	60	1 ϕ	110V	80.0/65.0/50.0	6	3.5	0.73	1-1/2"	2.6	6	60

DIMENSIONS

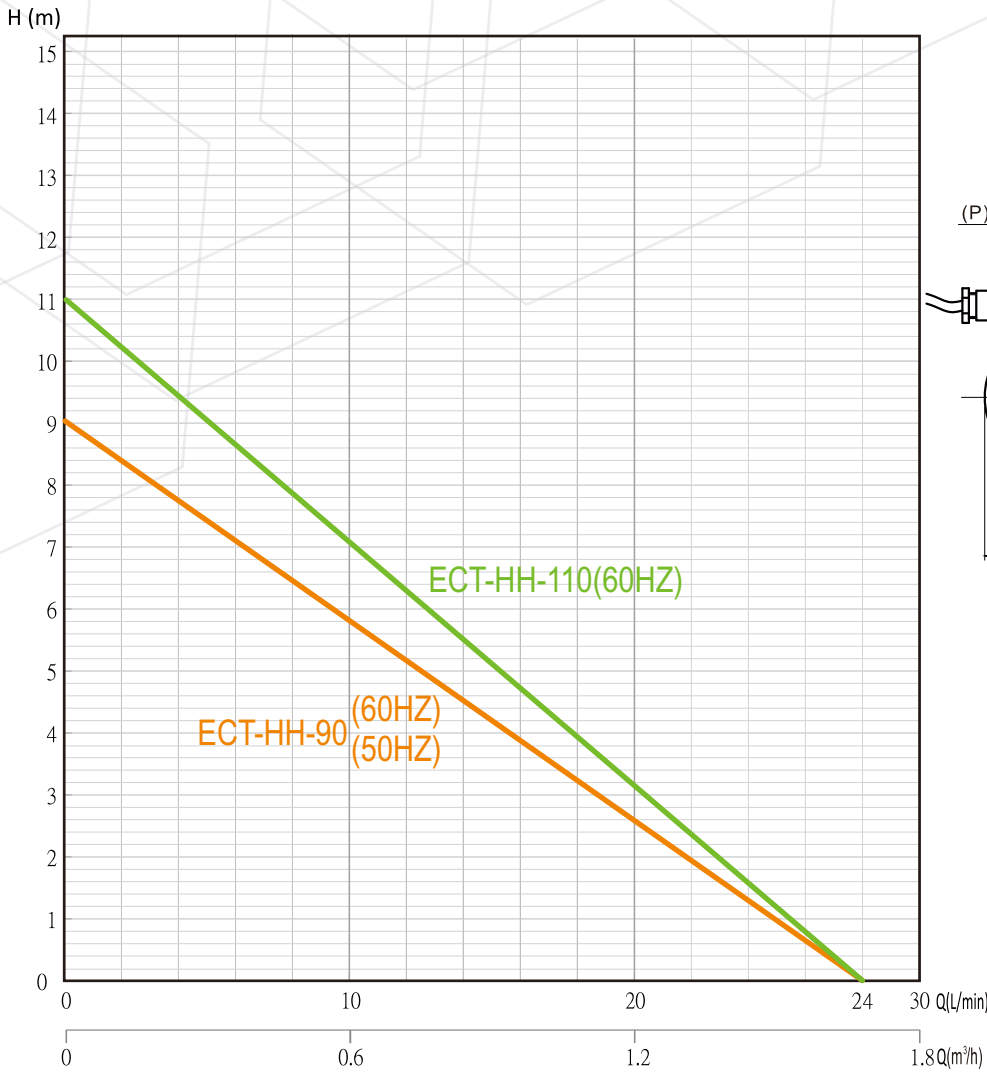




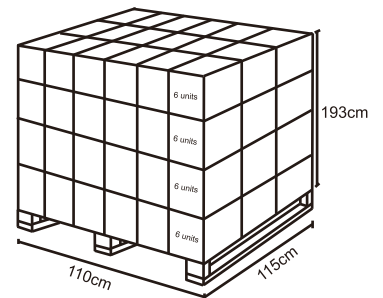
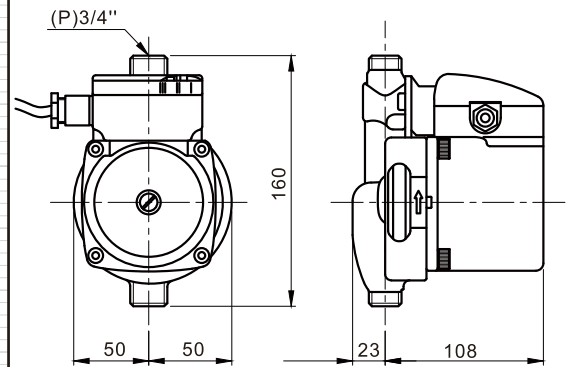
ECT PUMP

ECT-HH

**Stainless Steel
Hot Water Circulator Pump
PERFORMANCE CURVES**



DIMENSIONS



SPECIFICATIONS

Model	HZ	Phase	Voltage	Power	Head	Flow	Current	input/output	Weight	Carton per pallet	Pallet size
ECT-HH-15-90-160	50	1φ	220V-240V	110	9	1.5	0.5	3/4"	2.5	6	60

Model	HZ	Phase	Voltage	Power	Head	Flow	Current	input/output	Weight	Carton per pallet	Pallet size
ECT-HH-15-90-160	60	1φ	110V	110	9	1.5	1	3/4"	2.5	6	60
ECT-HH-15-90-160	60	1φ	110V	110	9	1.5	0.5	3/4"	2.5	6	60
ECT-HH-15-110-160	60	1φ	110V	120	11	1.5	0.5	3/4"	2.5	6	60
ECT-HH-15-110-160	60	1φ	110V	120	11	1.5	1.05	3/4"	2.5	6	60

www.ectg.com.de
info.service@ectg.de