

ECT-AHW series **ECT-AHWS series**



ECT PUMP

Hot Water Circulator Pump **Booster Pump Of Water Heater**

50 / 60Hz



ECT-AHW & ECT-AHWS series is a high energy-efficient variable speed circulator pump, this series pumps provide 8 different modes selection, such as Highest / Lowest proportional pressure, Highest / Lowest constant pressure, Highest / Medium / Lowest constant speed, and Night version to replace existing fixed speed circulators in order to meet most circulation systems.



ECT-AHW / ECT-AHWS

General Data

APPLICATIONS

1. Specifically designed for single and double-heating systems.
2. Ground source heat systems.
3. Boiler / Solar water heating systems.
4. Hot-water recirculation systems.
5. Water circulation for cooling air-conditioning systems.
6. High temperature liquids recycle systems.

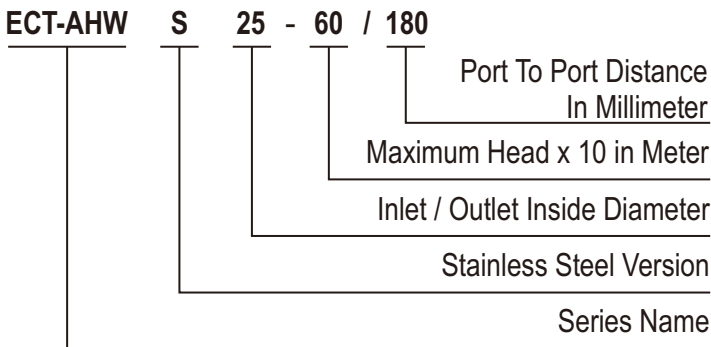
PUMPED LIQUIDS

Clean water, non-corrosive and non-abrasive liquids.

OPERATING CONDITIONS

Max. Ambient temperature : 50°C (122°F)
 Max. Liquid temperature : 110°C (230°F)
 Long time use temperature 80°C (176°F)

MODEL CODE



ACCESSORIES

Union Sets

Inlet/Outlet	Material
1-1/2 x 3/4	304SS
1-1/2 x 1	304SS



FEATURES

1. High-efficiency motor design saving huge electricity.
2. Classical display panel makes the selection process easily.
3. Low noise operation.
4. Compact design easy to installation.
5. Optional Cast iron or stainless steel materials for wide range applications.
6. EEI ≤ 0.23 according to 2009 / 125 /EC Directive.

CONTROL PANEL



Display definition	Explanation
light fields indicating the actual power watts	Actual power consumption in watts
Function III	Highest constant speed
Function II	Medium constant speed
Function I	Lowest constant speed
Function PP1	Lowest proportional pressure curve
Function PP2	Highest proportional pressure curve
Function CP1	Lowest constant pressure curve
Function CP2	Highest constant pressure curve
Night version	NIGHT SETBACK
	TURNDOWN

ECT-AHW / ECT-AHWS

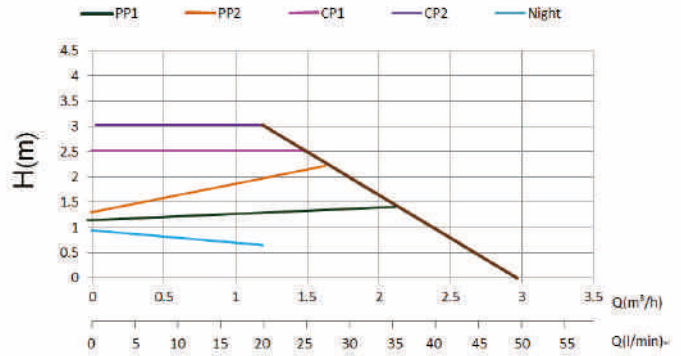
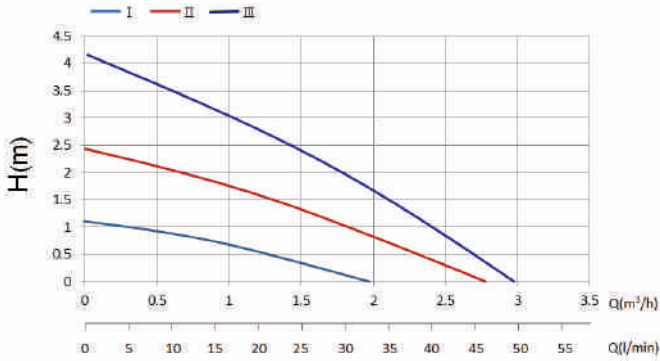
General Data



ECT PUMP

PERFORMANCE CURVES

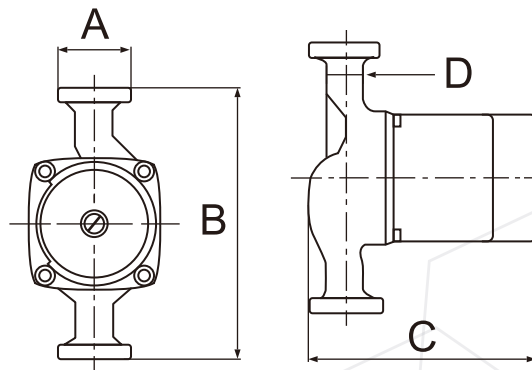
4M



SPECIFICATIONS

Model	Hz	Phase	Voltage	Max.Flow (L/min)	Max.Head (m)	Power (w)	Inlet/Outlet
ECT-AHW(S) 25-40-130	50	1Ø	200-240V	49	4	3-23	1-1/2
	60						
ECT-AHW(S) 25-40-180	50	1Ø	200-240V	49	4	3-23	1-1/2
	60						

SIMENSIONS AND WEIGHTS



Model	Dimensions (mm)				Net Weight (kg)
	A	B	C	D	
ECT-AHW(S) 25-40-130	1-1/2"	130 or 180	175	3/4"	2.15
ECT-AHW(S) 25-40-180	1-1/2"	130 or 180	175	3/4"	2.45

ECT-AHW / ECT-AHWS

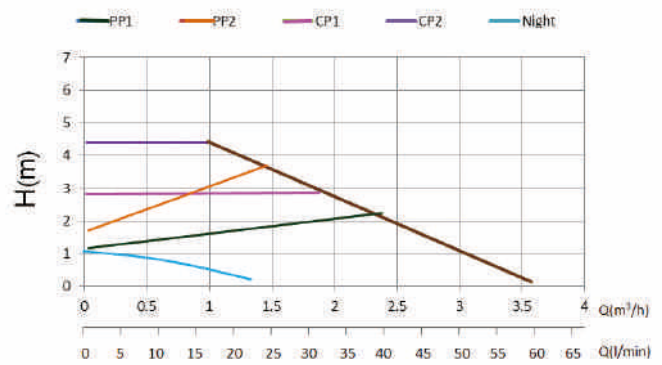
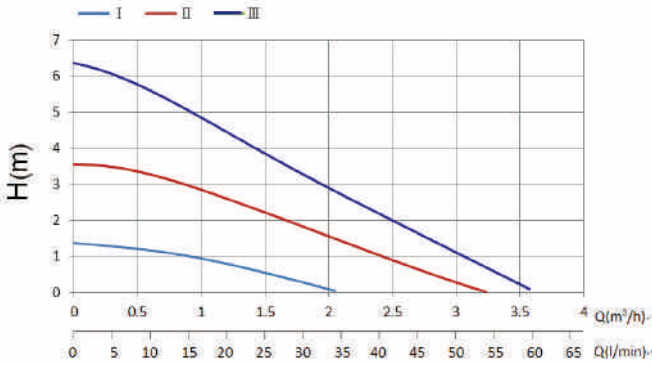
General Data



ECT PUMP

PERFORMANCE CURVES

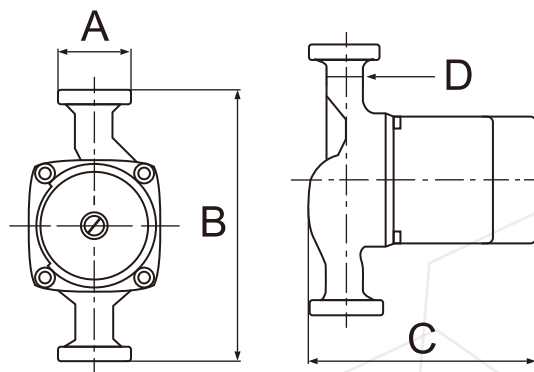
6M



SPECIFICATIONS

Model	Hz	Phase	Voltage	Max.Flow (L/min)	Max.Head (m)	Power (w)	Inlet/Outlet
ECT-AHW(S) 25-60-130	50	1Ø	200-240V	60	6	4-40	1-1/2
	60						
ECT-AHW(S) 25-60-180	50	1Ø	200-240V	60	6	4-40	1-1/2
	60						

SIMENSIONS AND WEIGHTS



Model	Dimensions (mm)				Net Weight (kg)
	A	B	C	D	
ECT-AHW(S) 25-60-130	1-1/2"	130 or 180	175	3/4"	2.15
ECT-AHW(S) 25-60-180	1-1/2"	130 or 180	175	3/4"	2.45

www.ectg.com.de
info.service@ectg.de.com