

ECT-SPC series

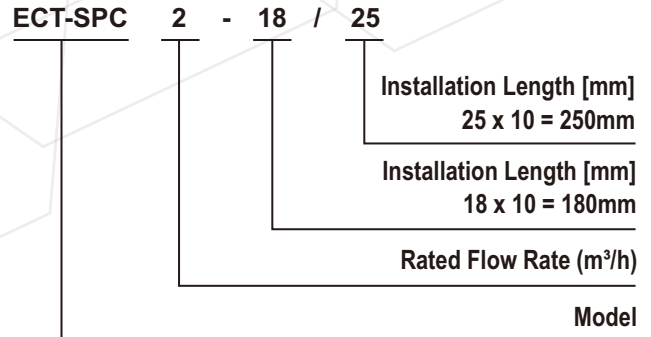
Immersible Pump



ECT PUMP

60HZ

MODEL CODE



APPLICATIONS

The ECT-SPC coolant pump is co-axial pump/motor design to processing-material cooling device such as milling, drilling, cutting, grinding these widely machine tools, it is suitable to deliver coolant, light oil and all kind non-aggressive liquids.

MOTOR

1. Frequency : 60 Hz
2. Insulation Class : F class
3. Enclosure Protection Class : IP54
4. Nominal Speed : 3500 RPM
5. Standard Voltages :
60Hz : 3Ø 220-255V / 380-440V

PUMP

The pump is one-chamber vertical centrifugal pump, co-axial pump-motor design, impellers mounted on extended motor shaft.

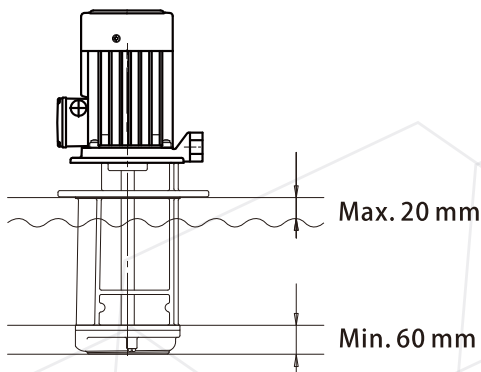
POWER

60Hz : 305W ~ 1160W
60Hz : Head Up to 16.5M
Flow Up to 290 L/min
Outlet : ½" ~ 1"

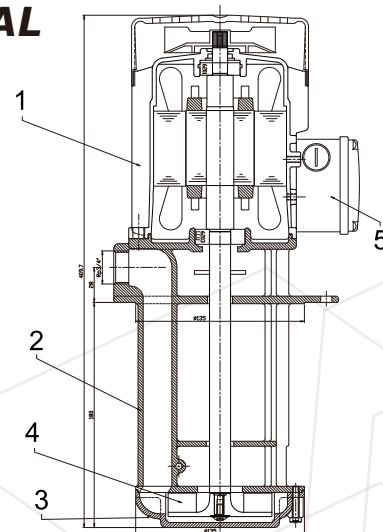
Operation Conditions

1. Liquid Temperature Range : +0°C ~ +90°C
2. Ambient Temperature : Max. +40°C
3. Operating Pressure : Max. 10kg/cm²
4. Liquid viscosity : 1 ~ 32 cSt

Installation



MATERIAL

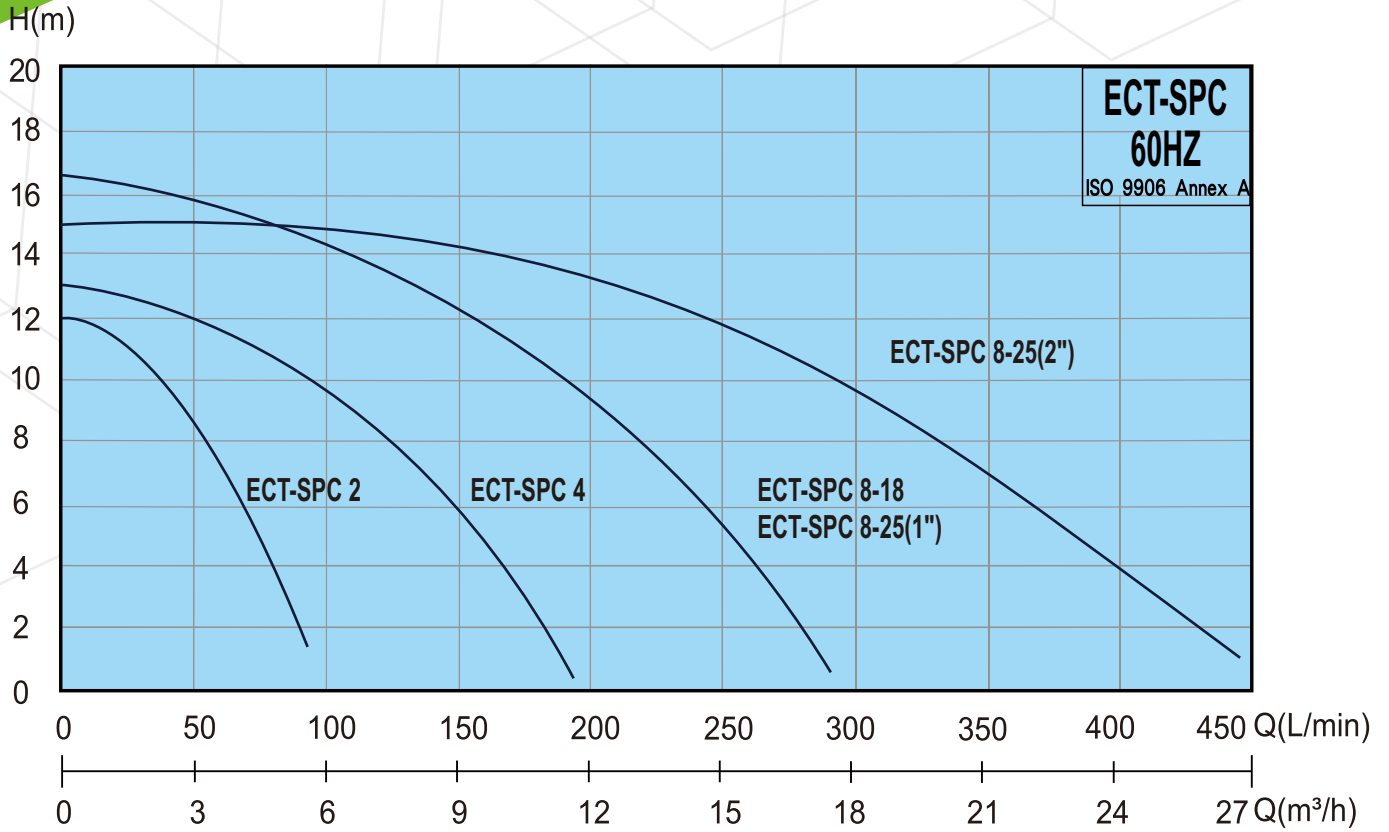


No.	Component	Material
1	Motor	ADC12
2	Pump	FC20
3	Pump cover	FC20
4	Impeller	NYLON
5	Wiring box	ABS



General Data

Performance Range

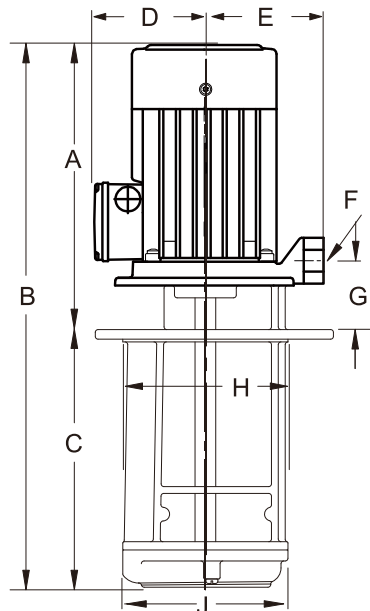
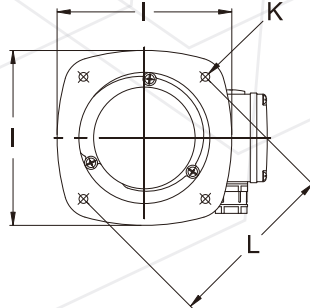



Specifications

Model	Power [w]	Discharge [inch]	Head [M]	Flow [L/min]	Max.Amp	
					220-255V	380-480V
ECT-SPC 2-18	305	1/2 "	12	90	0.9 - 1.0	0.5 - 0.42
ECT-SPC 2-25	305	1/2 "	12	90	0.9 - 1.0	0.5 - 0.42
ECT-SPC 4-18	650	3/4 "	13	190	1.9 - 2.1	1.0 - 0.84
ECT-SPC 4-25	650	3/4 "	13	190	1.9 - 2.1	1.0 - 0.84
ECT-SPC 8-18	1160	1 "	16.5	290	3.4 - 3.5	1.9 - 1.72
ECT-SPC 8-25	1160	1 "	16.5	290	3.4 - 3.5	1.9 - 1.72
ECT-SPC 8-25 2"	1160	2 "	15	460	3.4 - 3.5	1.9 - 1.72

Technical Data

Dimensions and Weights



Model	Dimensions (mm)												Weight (kg)	Units/Pallet 	Pallet Dimension L x W x H (cm)
	A	B	C	D	E	F	G	H	I	J	K	L			
ECT-SPC 2-18	185	365	180	115	85	RP1/2"	21	110	160	120	4*ø8	PCD 158	9.5	50	100 x 100 x 167
ECT-SPC 2-25	185	435	250	115	85	RP1/2"	21	110	160	120	4*ø8	PCD 158	10.5		100 x 100 x 167
ECT-SPC 4-18	225	405	180	115	90	RP3/4"	25	120	170	135	4*ø8	PCD 170	11.0		110 x 110 x 167
ECT-SPC 4-25	225	475	250	115	90	RP3/4"	25	120	170	135	4*ø8	PCD 170	12.0		110 x 110 x 167
ECT-SPC 8-18	270	450	180	115	95	RP1"	30	130	190	150	4*ø8	PCD 185	14.0		105 x 110 x 123
ECT-SPC 8-25	270	520	250	115	95	RP1"	30	130	190	150	4*ø8	PCD 185	15.2		95 x 110 x 123
ECT-SPC 8-25 2"	280	545	260	115	136	RP2"	45	180	200	165	4*ø12	PCD 220	18.2		110 x 110 x 183