

ECT-SLK series

Immersible Pump



ECT PUMP

60HZ



PUMP

The ECT-SLK pumps are vertical multistage centrifugal pumps especially designed for pumping of cooling lubricants for machine tools,

ECT-SLK pumps are available with various pump sizes and various numbers of stages to provide the flow, the pressure and the length required.

APPLICSTIONS FEATURE

1. Cooling units
2. Grinding machines
3. Machine centers
4. Filtering systems
5. Industrial washing machines

1. Compact design
2. High Efficiency Reliability
3. Easy installation
4. Wide Range

PUMPED LIQUIDS

Do not pump the explosive or aggressive liquids and the liquids should be free of fibers.

The ECT-SLK pumps have the strainer in the suction chamber with inlet to prevent large particles from entering and damaging the pump.

MOTOR

1. ECT-SLK is fitted with totally enclosed fan-cooled, 2-pole standard motor.
2. Enclosure class : IP 55
3. Insulation class : F
4. Ambient temperature : Max. +50°C
5. Supply voltage 60Hz : 3X220-255/380-440V

Standard Voltages

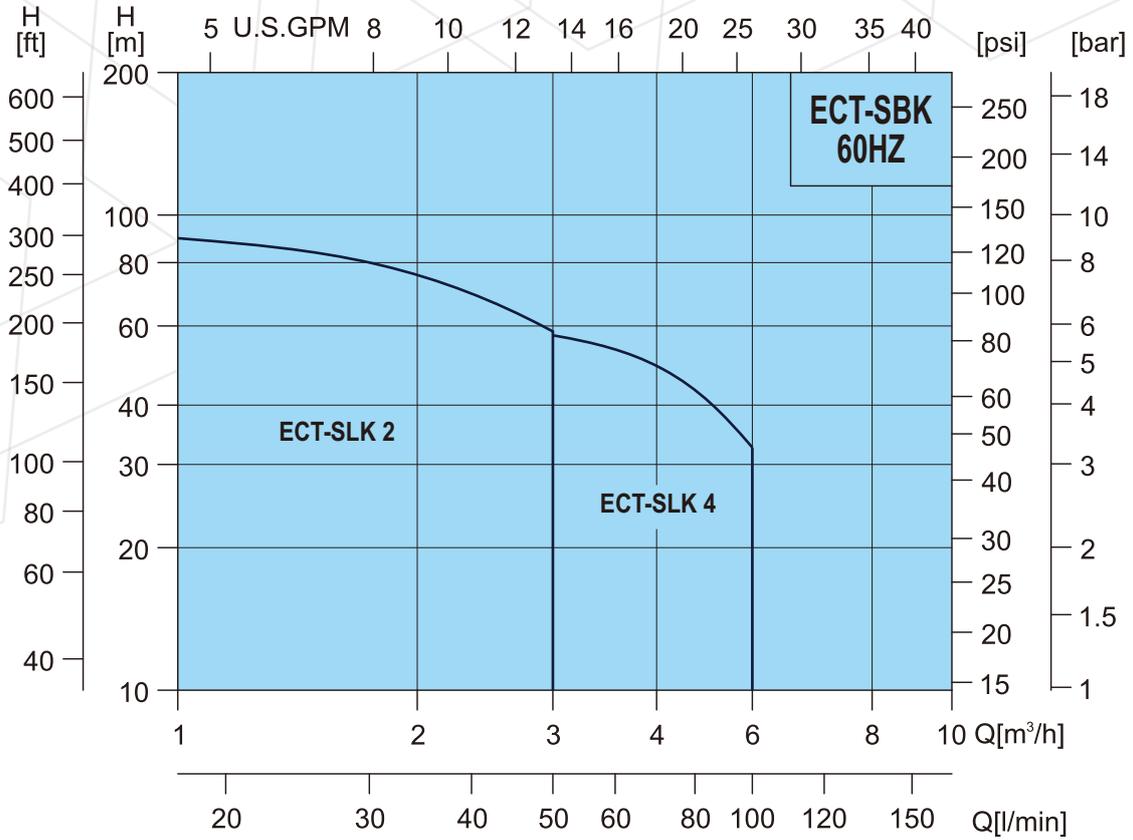
	Phase	Voltages
60Hz	3Ø	3x220-255V/380-480V



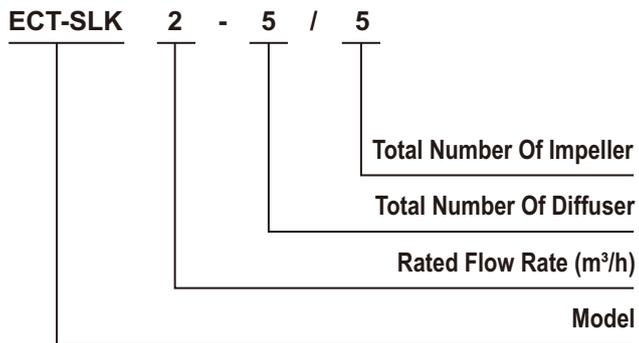
ECT-SLK

General Data

PERFORMANCE RANGE



MODEL CODE



General Data

MECHANICAL SEALS

Standard Cartridge type mechanical seal made of Tungsten carbide/ Tungsten carbide Viton.

The cartridge type mechanical seal can be replaced in minutes without special tools and without dismantling the pump.

HUUV Standard

Mechanical seal is available in different material per customer's demand.

List of Materials

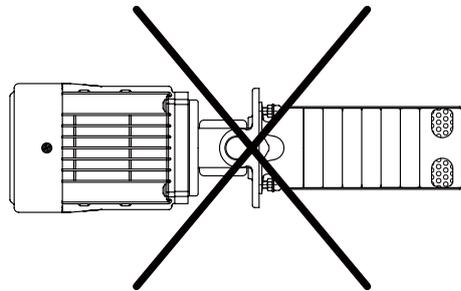
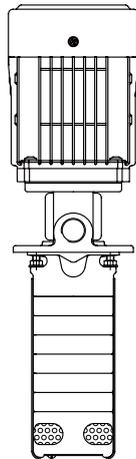
U : Tungsten carbide

V : Viton

PRODUCT DATA

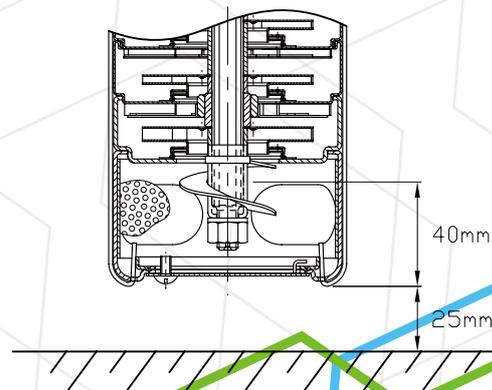
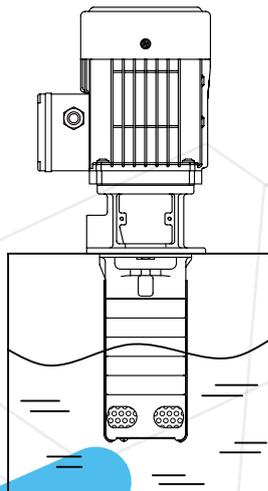
Range	2	4
Rated Flow Rate(m ³ /h)	2.75	4.0
Flow Range (m ³ /h)	0.6~3.0	2.0~6.0
Maximum Head (bar)	10.0	7.1
Motor Power (kW)	0.37~1.1	0.37~1.1
Temperature Range (°C)	-10 to +90	
Pipe Connection		
Union	Rp 3/4	

INSTALLATION



Note

- > When you install the ECT-SLK 2,4 series pumps, you must follow the instruction as below.
- > The distance between the liquid level and the pump bottom (Minimum) : 40 (mm)
- > The distance between the pump and the tank bottom (Minimum) : 25mm



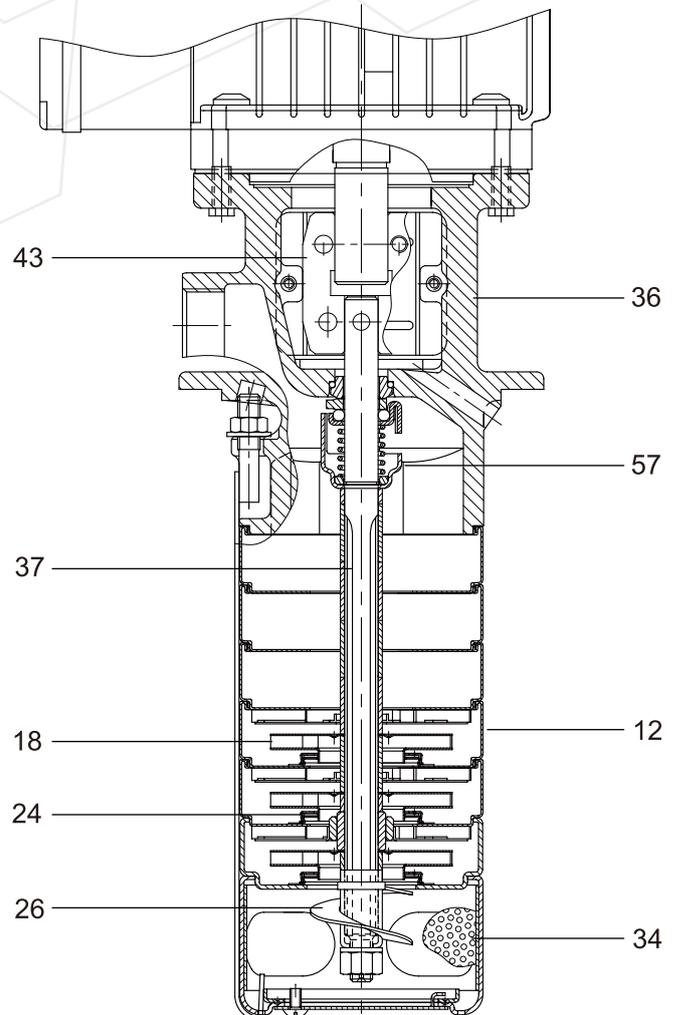
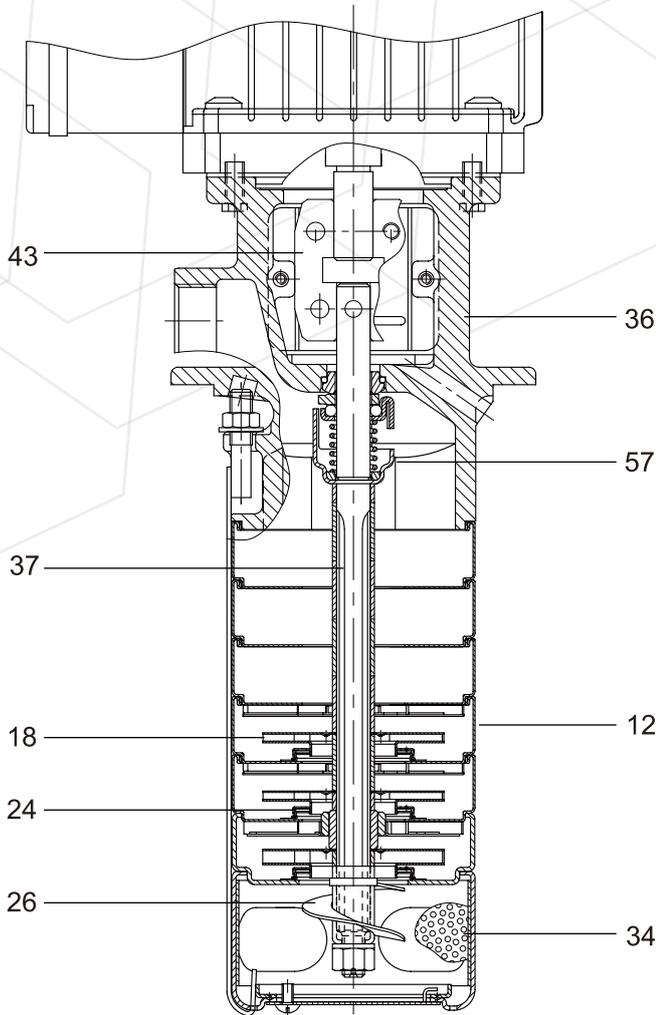


General Data

MATERIALS

ECT-SLK 2

ECT-SLK 4

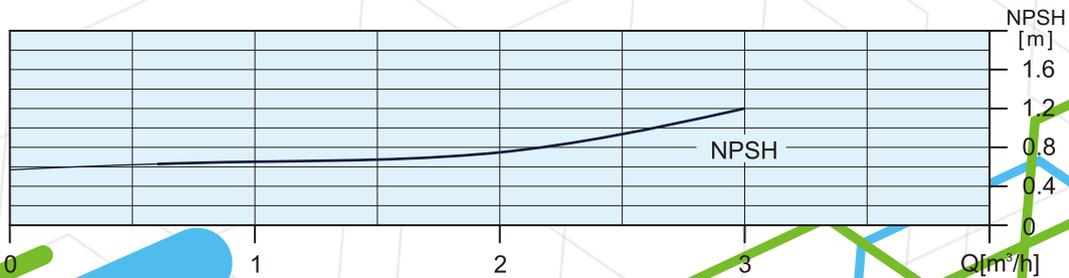
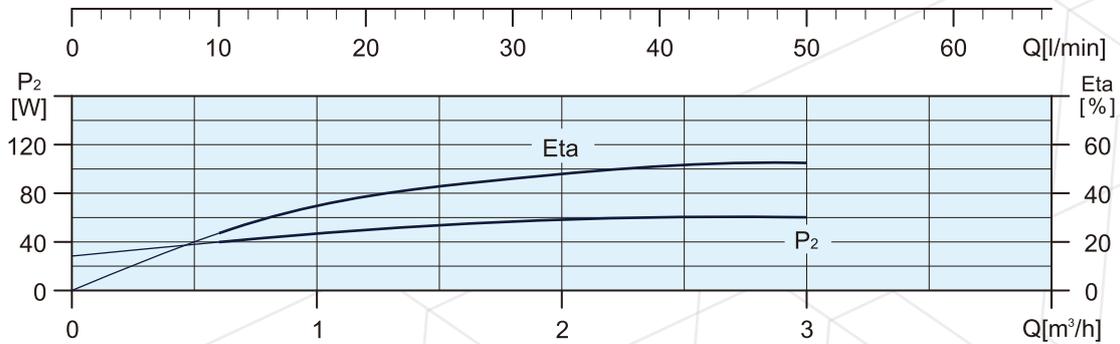
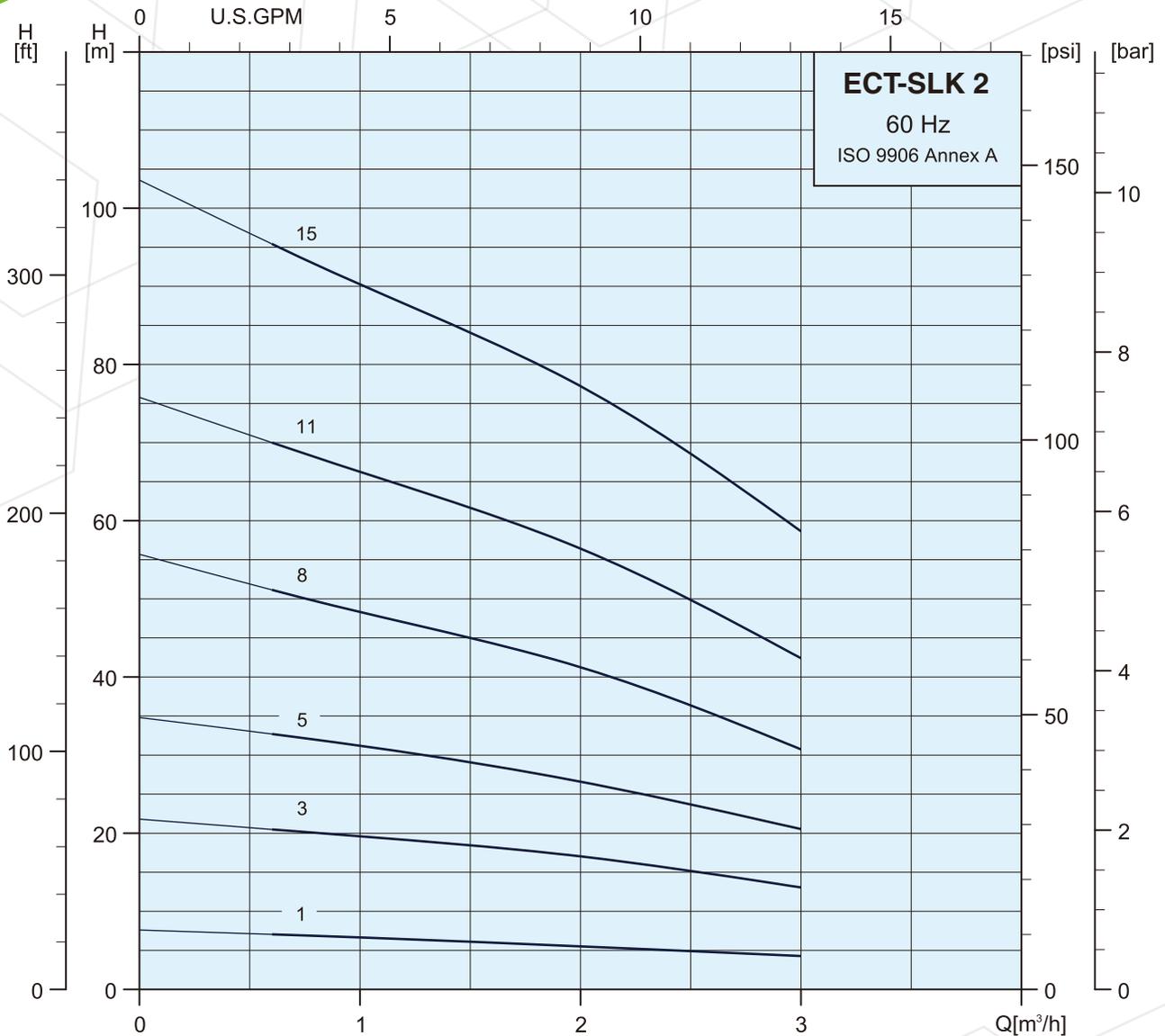


Pos.	Name	Material	Europe	AISI/ASTM
12	Chamber complete	Stainless steel	1.4301	AISI 304
18	Impeller	Stainless steel	1.4301	AISI 304
24	Neck ring	PTFE		
26	Priming screw	Stainless steel	1.4301	AISI 304
34	Strainer(internal)	Stainless steel	1.4301	AISI 304
36	Pump head	Cast Iron EN-GJL-200	0.6020	ASTM 25B
37	Pump shaft	Stainless steel	1.4057	AISI 431
43	Coupling			
57	Shaft seal	HUUV		



Technical Data

Performance Range



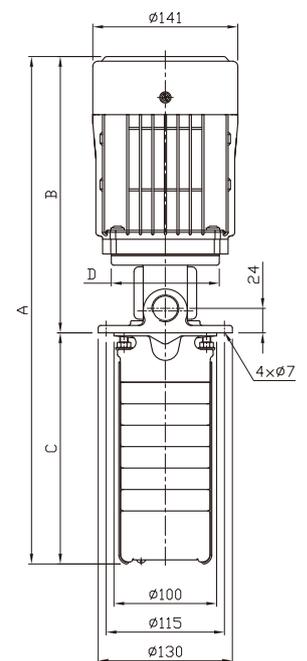
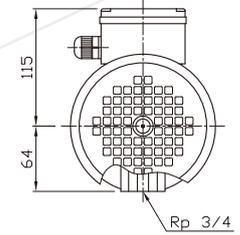
Technical Data

Specifications

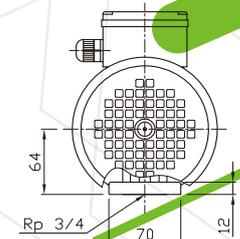
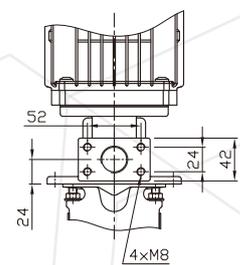
Pump Type	Dual Frequency		
	P ₂		3x220-255V/380-440V
	kW	HP	Max.Amp [A]
ECT-SLK 2-1/1	0.37	0.5	1.7-1.7 / 1.0-1.0
ECT-SLK 2-3/1	0.37	0.5	1.7-1.7 / 1.0-1.0
ECT-SLK 2-3/3	0.37	0.5	1.7-1.7 / 1.0-1.0
ECT-SLK 2-5/1	0.37	0.5	1.7-1.7 / 1.0-1.0
ECT-SLK 2-5/3	0.37	0.5	1.7-1.7 / 1.0-1.0
ECT-SLK 2-5/5	0.37	0.5	1.7-1.7 / 1.0-1.0
ECT-SLK 2-8/1	0.37	0.5	1.7-1.7 / 1.0-1.0
ECT-SLK 2-8/3	0.37	0.5	1.7-1.7 / 1.0-1.0
ECT-SLK 2-8/5	0.37	0.5	1.7-1.7 / 1.0-1.0
ECT-SLK 2-8/8	0.55	0.75	2.4-2.4 / 1.4-1.4
ECT-SLK 2-11/1	0.37	0.5	1.7-1.7 / 1.0-1.0
ECT-SLK 2-11/3	0.37	0.5	1.7-1.7 / 1.0-1.0
ECT-SLK 2-11/5	0.37	0.5	1.7-1.7 / 1.0-1.0
ECT-SLK 2-11/8	0.55	0.75	2.4-2.4 / 1.4-1.4
ECT-SLK 2-11/11	0.75	1.0	3.1-3.1 / 1.8-1.8
ECT-SLK 2-15/1	0.37	0.5	1.7-1.7 / 1.0-1.0
ECT-SLK 2-15/3	0.37	0.5	1.7-1.7 / 1.0-1.0
ECT-SLK 2-15/5	0.37	0.5	1.7-1.7 / 1.0-1.0
ECT-SLK 2-15/8	0.55	0.75	2.4-2.4 / 1.4-1.4
ECT-SLK 2-15/11	0.75	1.0	3.1-3.1 / 1.8-1.8
ECT-SLK 2-15/15	1.1	1.5	4.5-4.2 / 2.6-2.4
ECT-SLK 2-19/1	0.37	0.5	1.7-1.7 / 1.0-1.0
ECT-SLK 2-19/3	0.37	0.5	1.7-1.7 / 1.0-1.0
ECT-SLK 2-19/5	0.37	0.5	1.7-1.7 / 1.0-1.0
ECT-SLK 2-19/8	0.55	0.75	2.4-2.4 / 1.4-1.4
ECT-SLK 2-19/11	0.75	1.0	3.1-3.1 / 1.8-1.8
ECT-SLK 2-19/15	1.1	1.5	4.5-4.2 / 2.6-2.4
ECT-SLK 2-23/1	0.37	0.5	1.7-1.7 / 1.0-1.0
ECT-SLK 2-23/3	0.37	0.5	1.7-1.7 / 1.0-1.0
ECT-SLK 2-23/5	0.37	0.5	1.7-1.7 / 1.0-1.0
ECT-SLK 2-23/8	0.55	0.75	2.4-2.4 / 1.4-1.4
ECT-SLK 2-23/11	0.75	1.0	3.1-3.1 / 1.8-1.8
ECT-SLK 2-23/15	1.1	1.5	4.5-4.2 / 2.6-2.4

Dimensions and Weights

Dual Frequency					Net Weight (kg)
Dimensions(mm)					
A	B	C	D		
413	270	143	105	9.4	
455	270	185	105	9.6	
455	270	185	105	9.8	
497	270	227	105	9.9	
497	270	227	105	10.1	
497	270	227	105	10.2	
560	270	290	105	10.2	
560	270	290	105	10.4	
560	270	290	105	10.6	
560	270	290	105	11.3	
623	270	353	105	10.5	
623	270	353	105	10.7	
623	270	353	105	10.8	
623	270	353	105	11.6	
666	313	353	120	13.8	
707	270	437	105	10.9	
707	270	437	105	11.1	
707	270	437	105	11.3	
707	270	437	105	12.1	
750	313	437	120	14.2	
750	313	437	120	15.7	
791	270	521	105	11.2	
791	270	521	105	11.3	
791	270	521	105	11.5	
791	270	521	105	12.3	
834	313	521	120	14.4	
834	313	521	120	15.9	
875	270	605	105	11.9	
875	270	605	105	12.1	
875	270	605	105	12.3	
875	270	605	105	13.1	
918	313	605	120	15.2	
918	313	605	120	16.7	



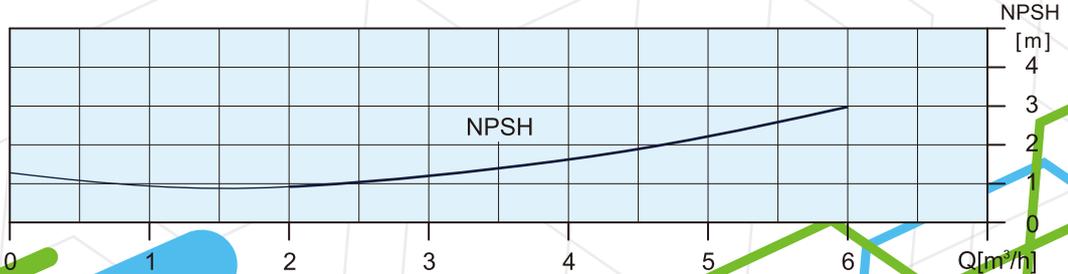
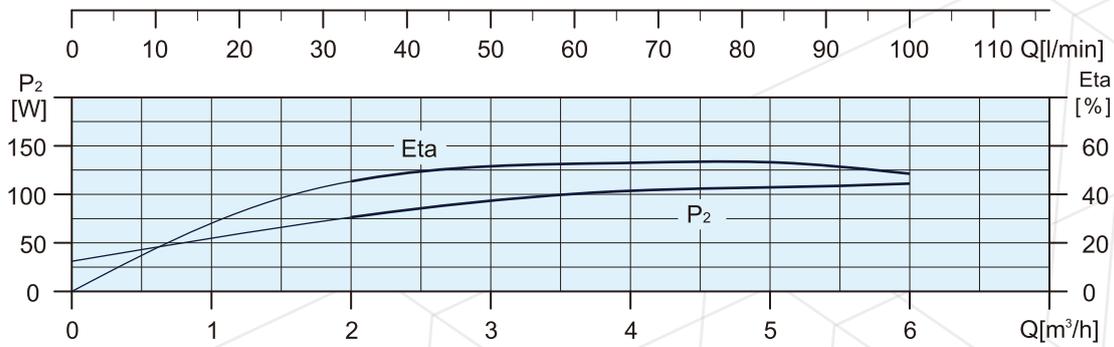
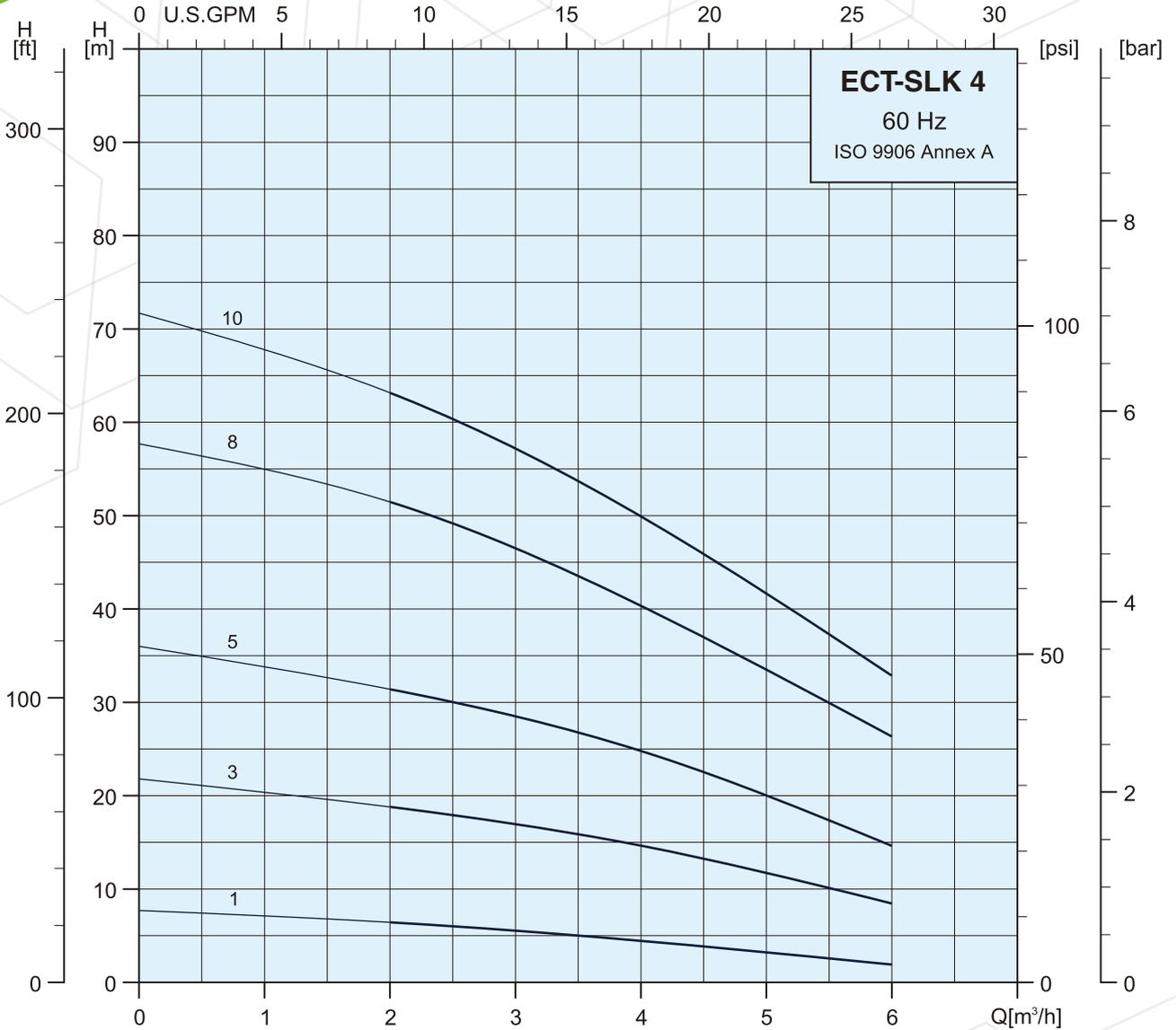
Flange





Technical Data

Performance Range



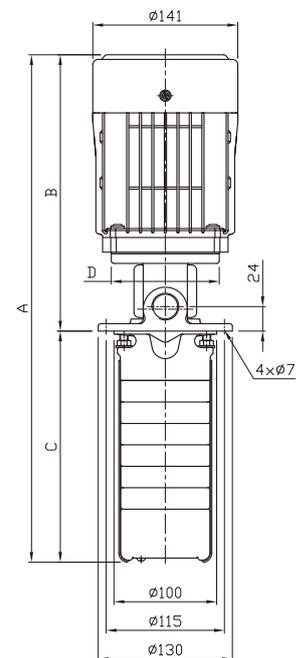
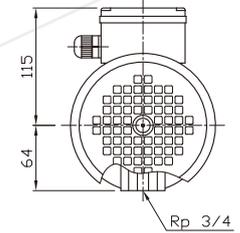
Technical Data

Specifications

Pump Type	Dual Frequency		
	P ₂		3x220-255V/380-440V
	kW	HP	Max.Amp [A]
ECT-SLK 4-1/1	0.37	0.5	1.7-1.7 / 1.0-1.0
ECT-SLK 4-3/1	0.37	0.5	1.7-1.7 / 1.0-1.0
ECT-SLK 4-3/3	0.37	0.5	1.7-1.7 / 1.0-1.0
ECT-SLK 4-5/1	0.37	0.5	1.7-1.7 / 1.0-1.0
ECT-SLK 4-5/3	0.37	0.5	1.7-1.7 / 1.0-1.0
ECT-SLK 4-5/5	0.55	0.75	2.4-2.4 / 1.4-1.4
ECT-SLK 4-8/1	0.37	0.5	1.7-1.7 / 1.0-1.0
ECT-SLK 4-8/3	0.37	0.5	1.7-1.7 / 1.0-1.0
ECT-SLK 4-8/5	0.55	0.75	2.4-2.4 / 1.4-1.4
ECT-SLK 4-8/8	1.1	1.5	4.5-4.2 / 2.6-2.4
ECT-SLK 4-11/1	0.37	0.5	1.7-1.7 / 1.0-1.0
ECT-SLK 4-11/3	0.37	0.5	1.7-1.7 / 1.0-1.0
ECT-SLK 4-11/5	0.55	0.75	2.4-2.4 / 1.4-1.4
ECT-SLK 4-11/8	1.1	1.5	4.5-4.2 / 2.6-2.4
ECT-SLK 4-11/10	1.1	1.5	4.5-4.2 / 2.6-2.4
ECT-SLK 4-15/1	0.37	0.5	1.7-1.7 / 1.0-1.0
ECT-SLK 4-15/3	0.37	0.5	1.7-1.7 / 1.0-1.0
ECT-SLK 4-15/5	0.55	0.75	2.4-2.4 / 1.4-1.4
ECT-SLK 4-15/8	1.1	1.5	4.5-4.2 / 2.6-2.4
ECT-SLK 4-15/10	1.1	1.5	4.5-4.2 / 2.6-2.4
ECT-SLK 4-19/1	0.37	0.5	1.7-1.7 / 1.0-1.0
ECT-SLK 4-19/3	0.37	0.5	1.7-1.7 / 1.0-1.0
ECT-SLK 4-19/5	0.55	0.75	2.4-2.4 / 1.4-1.4
ECT-SLK 4-19/8	1.1	1.5	4.5-4.2 / 2.6-2.4
ECT-SLK 4-19/10	1.1	1.5	4.5-4.2 / 2.6-2.4

Dimensions and Weights

Dual Frequency					Net Weight (kg)
Dimensions(mm)					
A	B	C	D		
413	270	143	105	9.4	
455	270	185	105	9.6	
455	270	185	105	9.8	
497	270	227	105	9.9	
497	270	227	105	10.0	
497	270	227	105	10.7	
560	270	290	105	10.1	
560	270	290	105	10.3	
560	270	290	105	10.9	
603	313	290	120	14.2	
623	270	353	105	10.4	
623	270	353	105	10.6	
623	270	353	105	11.3	
666	313	353	120	14.5	
666	313	353	120	14.7	
707	270	437	105	10.9	
707	270	437	105	11.0	
707	270	437	105	11.7	
750	313	437	120	15.0	
750	313	437	120	15.2	
791	270	521	105	11.2	
791	270	521	105	11.4	
791	270	521	105	12.1	
834	313	521	120	15.4	
834	313	521	120	15.6	



Flange

