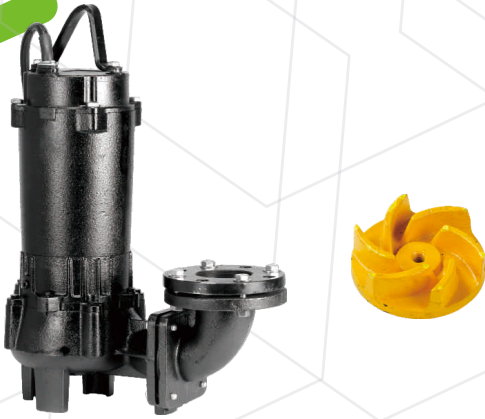


ECT-DV series 60Hz



ECT PUMP

Heavy Duty Submersible Sewage Pumps



FEATURES

1. Non-clogging impeller minimizes abrasives wear and allows large solid passage.
2. Dry motor with overload protector, cable with an epoxy resin sealed water-proof cable hood, high grade cast iron pump casing and motor housing, deep groove C3 bearing to extend life time.
3. Superior abrasion resistant double mechanical seal made of silicon carbide to ensure best seal effect.
4. Guide Rail Device is available for safety purpose.
5. Oil seal mounted outside of seal chamber stops solids gathering around seal faces.

APPLICATIONS

1. Waste water drainage from all industries.
2. Sewage drainage from hotels, restaurants, schools, malls, and public buildings..etc.
3. Fishery, animal husbandry, stock farm, piggery, and fecal sewage tank in water treatment plant.
4. Drainage of waste water containing fibrous additives from leather factories, dyeing factories and food processing plants.

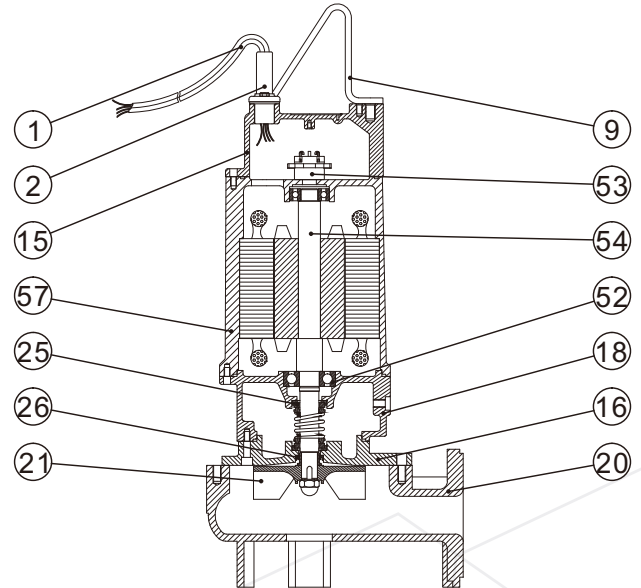
Operating Conditions

1. Water temperature : 0~40°C
2. Ambient temperature : 0~40°C
3. Solid passage : 35~50mm
4. Operating water depth : Max. 10M
5. No use in sea water

Motor Spec.

1. 2P dry type motor
 2. Insulation : F class
 3. Protection : IP68
- Frequency : 60Hz
Voltage : 1Ø 110V~220V(for 2HP)
3Ø 220V~440V

MATERIAL CONSTRUCTION



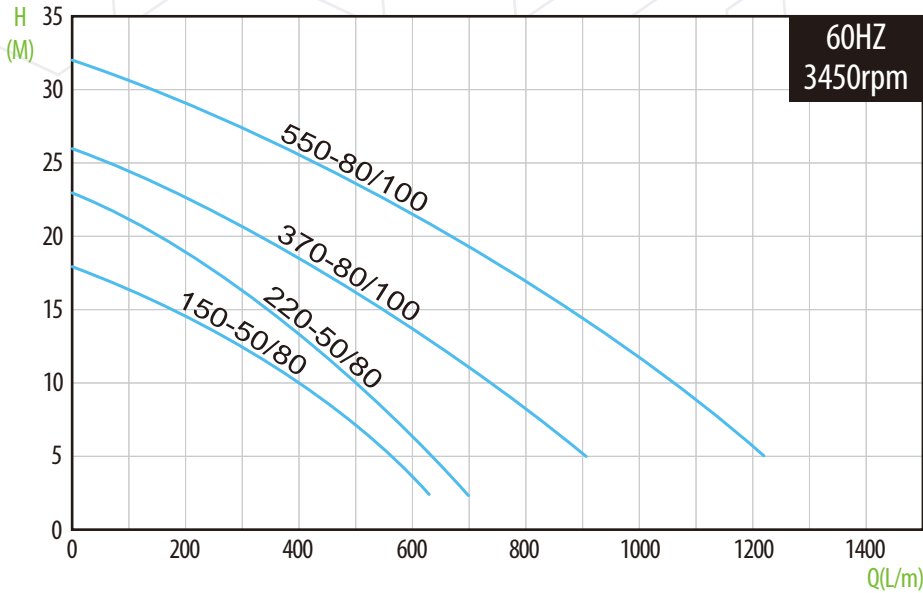
No.	Part	Materials
1	Cable	STOW_UL
9	Handle	FC200
15	Motor Cover	FC200
16	Sea Housing	FC200
18	Oil Chamber	FC200
20	Pump Casing	FC200
21	Impeller	FC200
25	Mech. Seal	CA/CE:2-3HP & SIC/SIC:5-7.5HP
26	Oil Seal	NBR
52	Bearing	-
53	Protector	-
54	Shaft	SUS410
57	Motor Housing	FC200



ECT PUMP

ECT-DV series Heavy Duty Submersible Sewage Pumps

PERFORMANCE CURVE



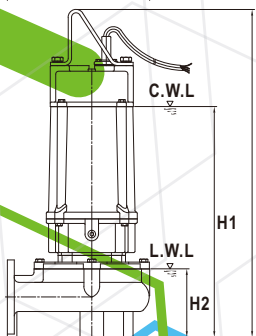
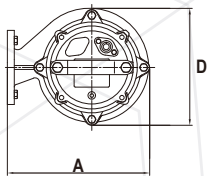
SPECIFICATION

Model	Power HP(kW)	Discharge Inch(mm)	Frequency Hz	Phase Ø	Pole P	Std. Head M	Std. Flow LPM	Max. Head M	Max. Flow LPM	Solids Passage mm	Weight KG
ECT-DV(E)-1150-50/80	2 (1.5)	2"/3"(50/80)	60	1Ø	2	10	400	18	680	35	33
ECT-DV(E)-3150-50/80				3Ø							
ECT-DV(E)-3220-50/80	3 (2.2)	2"/3"(50/80)	60	3Ø	2	10	500	23	750	35	37
ECT-DV(E)-3370-80/100	5 (3.7)	3"/4"(80/100)	60	3Ø	2	15	550	26	1050	50	62
ECT-DV(E)-3550-80/100	7.5 (5.5)	3"/4"(80/100)	60	3Ø	2	15	880	32	1350	50	67

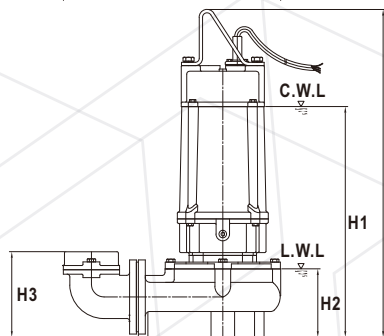
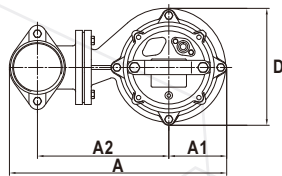
ECT-DVE = With Elbow

DIMENSIONS

ECT-DV
For 2HP & 3HP
For 5HP & 7.5HP



ECT-DVE W/Elbow
For 2HP & 3HP
For 5HP & 7.5HP



C.W.L : Continuous running water level

L.W.L : Lowest running water level

Model	A	A1	A2	D	H	H1	H2	H3
ECT-DV-1150-50/80	255	-	-	208	554	381	122	-
ECT-DV-3150-50/80	255	-	-	208	554	381	122	-
ECT-DV-3220-50/80	255	-	-	208	584	411	122	-
ECT-DV-3370-80/100	290	-	-	227	625	465	160	-
ECT-DV-3550-80/100	290	-	-	227	665	505	160	-
With Elbow								
ECT-DVE-1150-50/80	387	103	234	208	554	381	122	153
ECT-DVE-3150-50/80	387	103	234	208	554	381	122	153
ECT-DVE-3220-50/80	387	103	234	208	584	411	122	153
ECT-DVE-3370-80/100	459	110	256	227	625	465	160	220
ECT-DVE-3550-80/100	459	110	256	227	665	505	160	220