

ECT-SLK series

Immersible Pump



ECT PUMP

50HZ



PUMP

The ECT-SLK pumps are vertical multistage centrifugal pumps especially designed for pumping of cooling lubricants for machine tools,

ECT-SLK pumps are available with various pump sizes and various numbers of stages to provide the flow, the pressure and the length required.

APPLICSTIONS FEATURE

1. Cooling units
2. Grinding machines
3. Machine centers
4. Filtering systems
5. Industrial washing machines

1. Compact design
2. High Efficiency Reliability
3. Easy installation
4. Wide Range

PUMPED LIQUIDS

Do not pump the explosive or aggressive liquids and the liquids should be free of fibers.

The ECT-SLK pumps have the strainer in the suction chamber with inlet to prevent large particles from entering and damaging the pump.

MOTOR

1. ECT-SLK is fitted with totally enclosed fan-cooled, 2-pole standard motor.
2. Enclosure class : IP 55
3. Insulation class : F
4. Ambient temperature : Max. +50°C
5. Supply voltage 50Hz : 3X220-240/380-415V

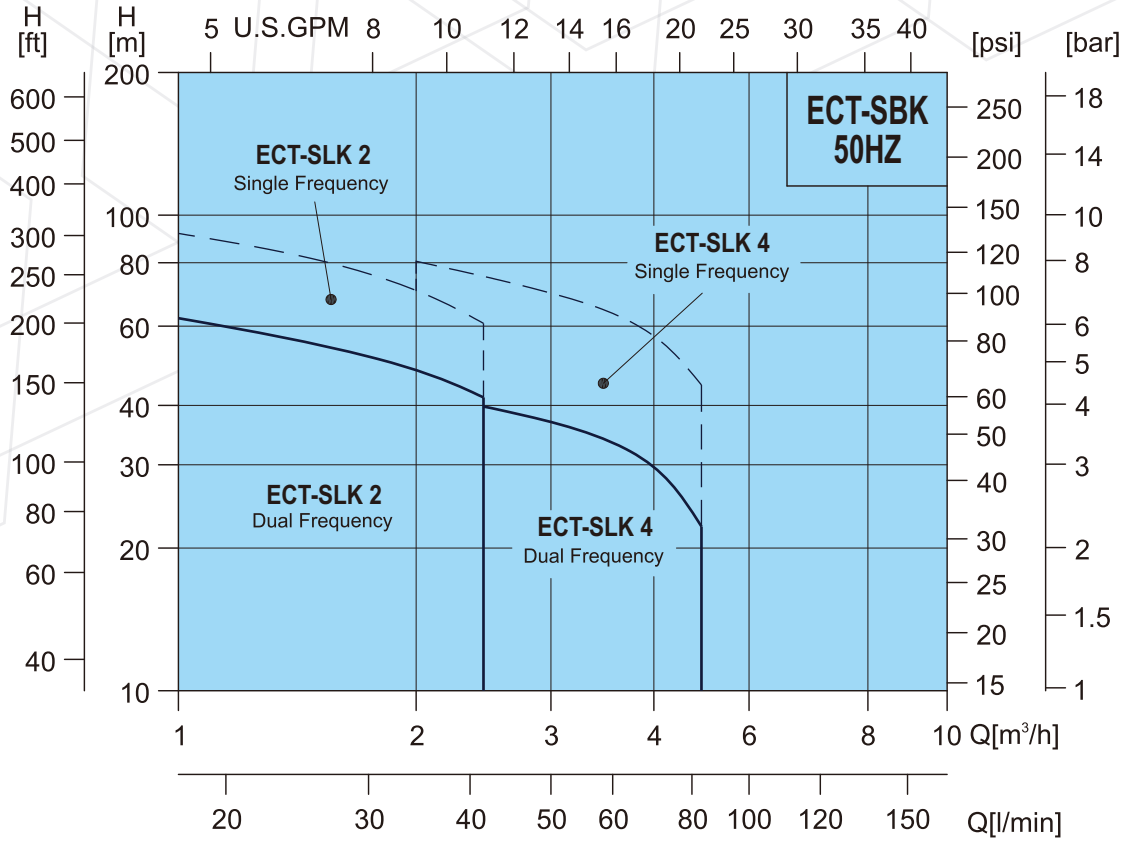
Standard Voltages

| | Phase | Voltages |
|------|-------|---------------------|
| 50Hz | 3Ø | 3x220-240V/380-415V |

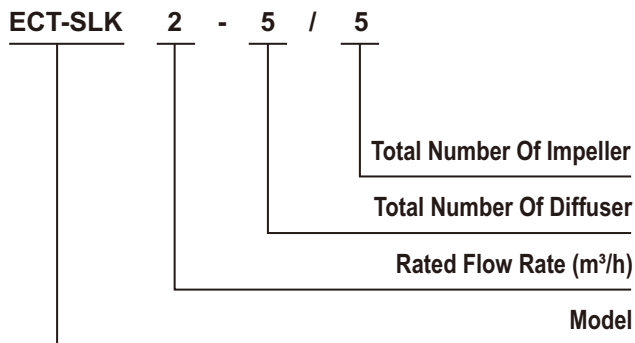


General Data

PERFORMANCE RANGE



MODEL CODE



General Data

MECHANICAL SEALS

Standard Cartridge type mechanical seal made of Tungsten carbide/ Tungsten carbide Viton.

The cartridge type mechanical seal can be replaced in minutes without special tools and without dismantling the pump.

HUUV Standard

Mechanical seal is available in different material per customer's demand.

List of Materials

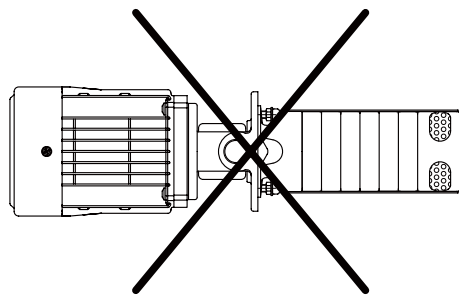
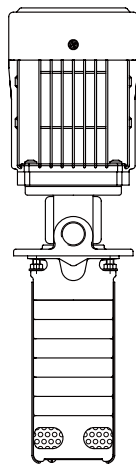
U : Tungsten carbide

V : Viton

PRODUCT DATA

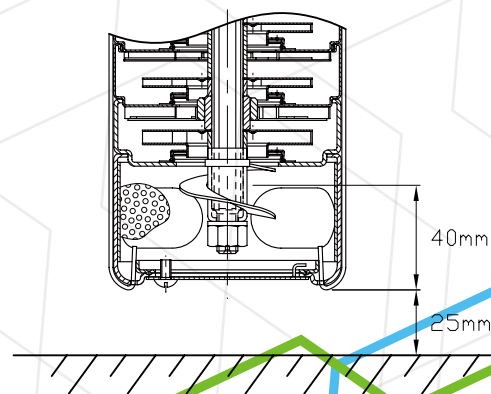
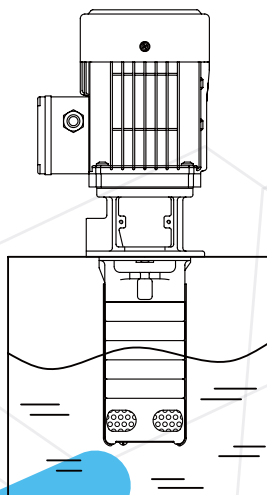
| Range | 2 | 4 |
|------------------------------------|------------|----------|
| Rated Flow Rate(m ³ /h) | 2.25 | 3.0 |
| Flow Range (m ³ /h) | 0.5~2.5 | 2.0~5.0 |
| Maximum Head (bar) | 10.7 | 9.2 |
| Motor Power (kW) | 0.37~1.1 | 0.37~1.1 |
| Temperature Range (°C) | -10 to +90 | |
| Pipe Connection | | |
| Union | Rp 3/4 | |

INSTALLATION



Note

- > When you install the ECT-SLK 2,4 series pumps, you must follow the instruction as below.
- > The distance between the liquid level and the pump bottom (Minimum) : 40 (mm)
- > The distance between the pump and the tank bottom (Minimum) : 25mm



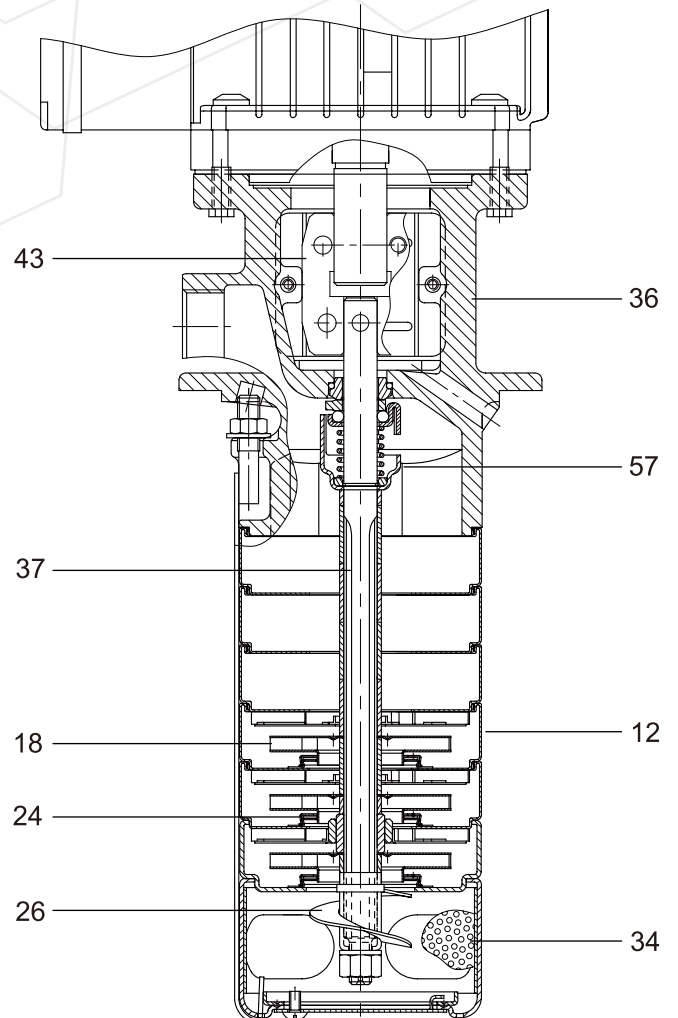
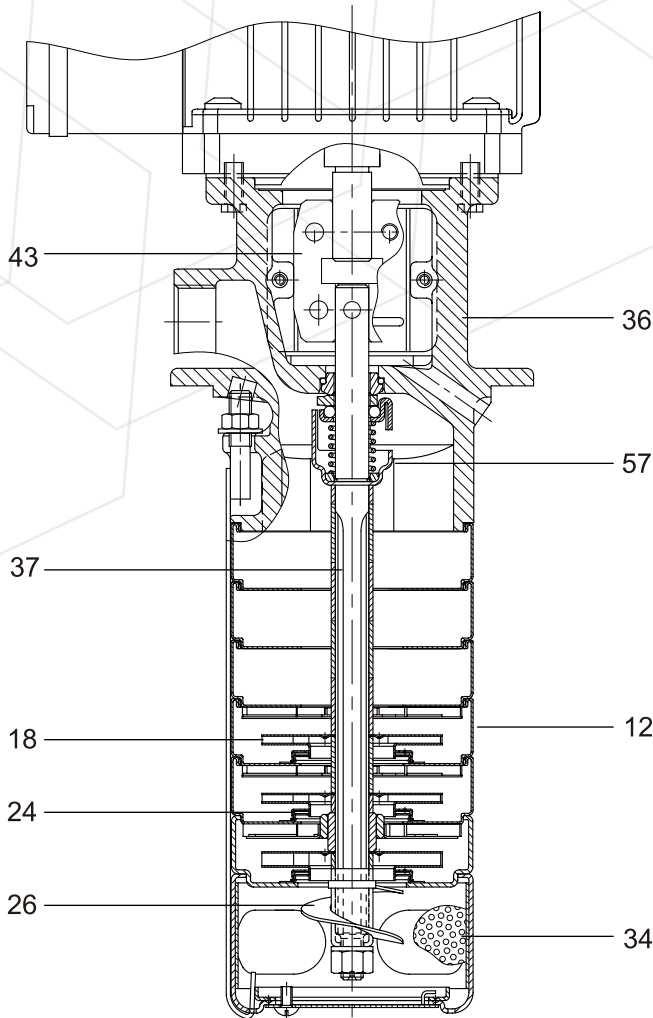


General Data

MATERIALS

ECT-SLK 2

ECT-SLK 4

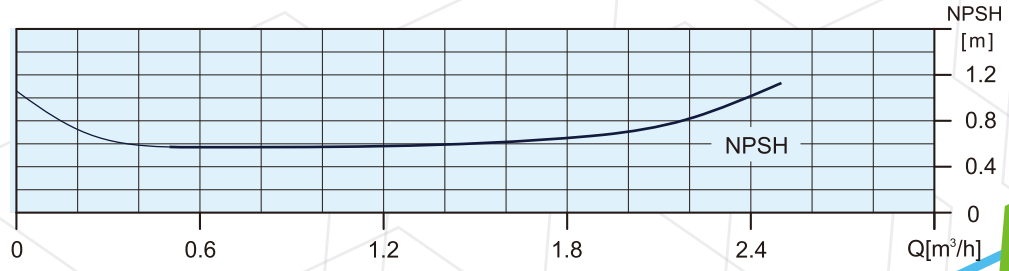
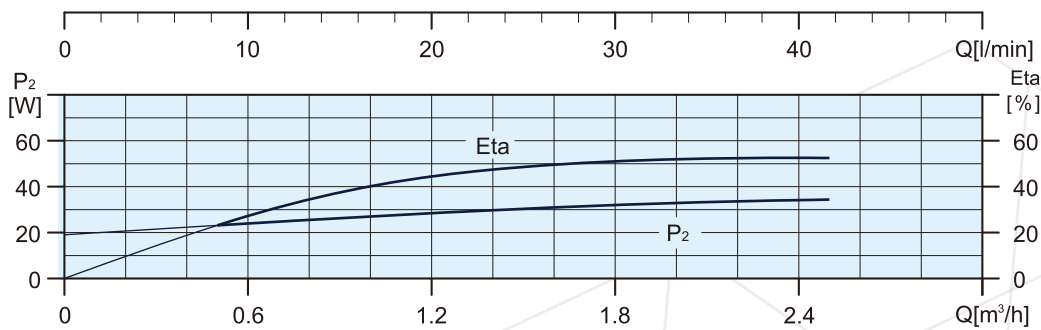
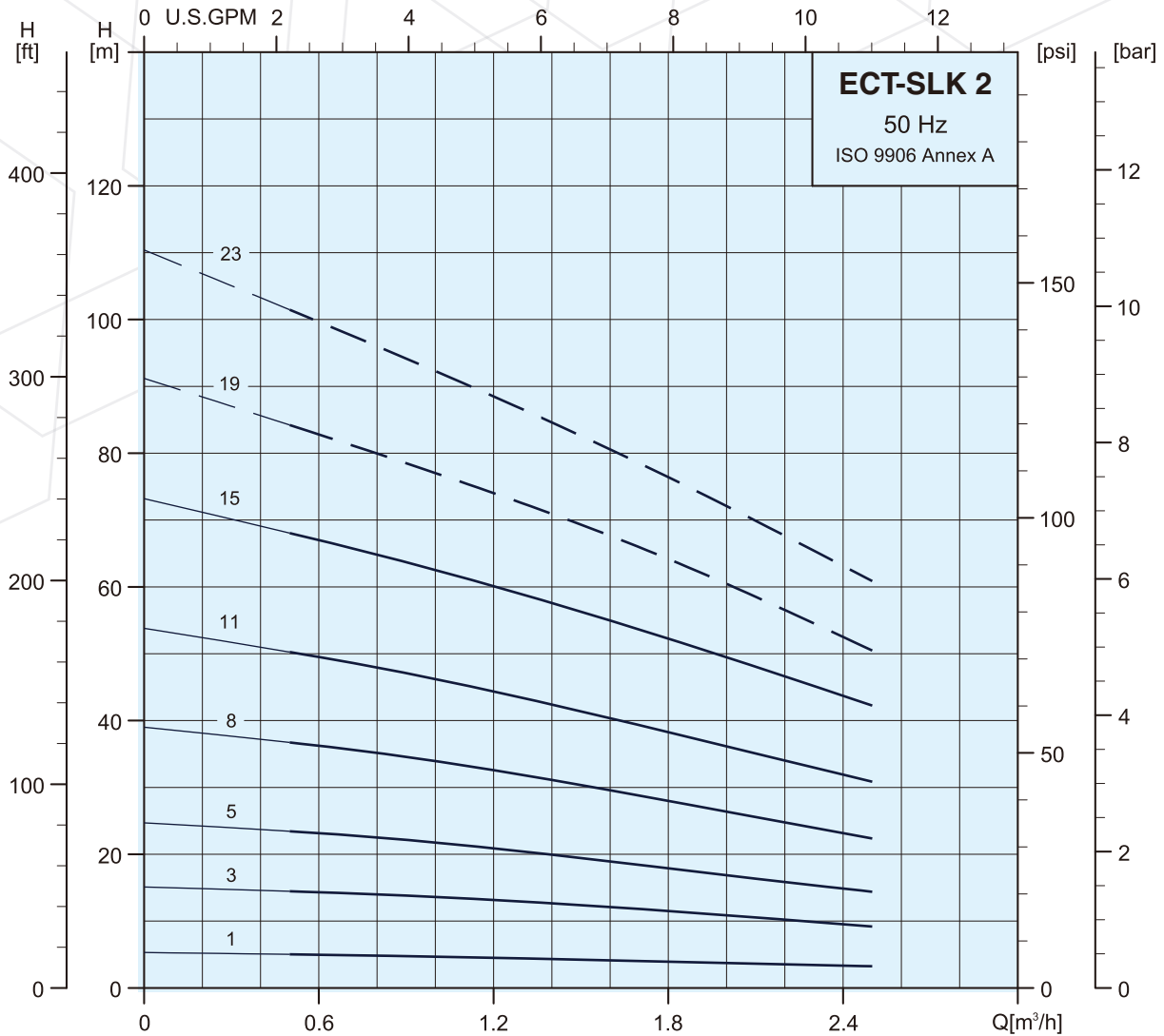


| Pos. | Name | Material | Europe | AISI/ASTM |
|------|--------------------|----------------------|--------|-----------|
| 12 | Chamber complete | Stainless steel | 1.4301 | AISI 304 |
| 18 | Impeller | Stainless steel | 1.4301 | AISI 304 |
| 24 | Neck ring | PTFE | | |
| 26 | Priming screw | Stainless steel | 1.4301 | AISI 304 |
| 34 | Strainer(internal) | Stainless steel | 1.4301 | AISI 304 |
| 36 | Pump head | Cast Iron EN-GJL-200 | 0.6020 | ASTM 25B |
| 37 | Pump shaft | Stainless steel | 1.4057 | AISI 431 |
| 43 | Coupling | | | |
| 57 | Shaft seal | HUUV | | |



Technical Data

Performance Range



* --- Single Frequency
 — Dual Frequency

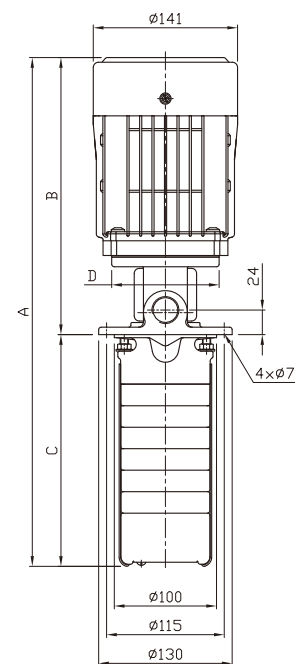
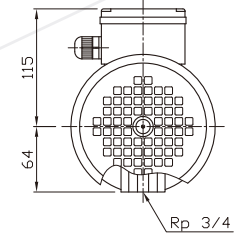
Technical Data

Specifications

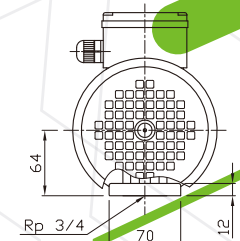
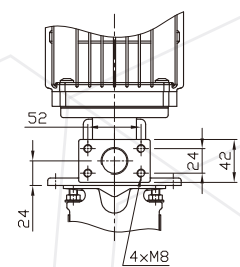
| Pump Type | Dual Frequency | | |
|-----------------|------------------|------|---------------------|
| | P ₂ | | 3x220-240V/380-415V |
| | kW | HP | Max.Amp [A] |
| ECT-SLK 2-1/1 | 0.37 | 0.5 | 1.7-1.9 / 1.0-1.1 |
| ECT-SLK 2-3/1 | 0.37 | 0.5 | 1.7-1.9 / 1.0-1.1 |
| ECT-SLK 2-3/3 | 0.37 | 0.5 | 1.7-1.9 / 1.0-1.1 |
| ECT-SLK 2-5/1 | 0.37 | 0.5 | 1.7-1.9 / 1.0-1.1 |
| ECT-SLK 2-5/3 | 0.37 | 0.5 | 1.7-1.9 / 1.0-1.1 |
| ECT-SLK 2-5/5 | 0.37 | 0.5 | 1.7-1.9 / 1.0-1.1 |
| ECT-SLK 2-8/1 | 0.37 | 0.5 | 1.7-1.9 / 1.0-1.1 |
| ECT-SLK 2-8/3 | 0.37 | 0.5 | 1.7-1.9 / 1.0-1.1 |
| ECT-SLK 2-8/5 | 0.37 | 0.5 | 1.7-1.9 / 1.0-1.1 |
| ECT-SLK 2-8/8 | 0.55 | 0.75 | 2.6-2.9 / 1.5-1.7 |
| ECT-SLK 2-11/1 | 0.37 | 0.5 | 1.7-1.9 / 1.0-1.1 |
| ECT-SLK 2-11/3 | 0.37 | 0.5 | 1.7-1.9 / 1.0-1.1 |
| ECT-SLK 2-11/5 | 0.37 | 0.5 | 1.7-1.9 / 1.0-1.1 |
| ECT-SLK 2-11/8 | 0.55 | 0.75 | 2.6-2.9 / 1.5-1.7 |
| ECT-SLK 2-11/11 | 0.75 | 1.0 | 3.4-3.4 / 2.0-2.0 |
| ECT-SLK 2-15/1 | 0.37 | 0.5 | 1.7-1.9 / 1.0-1.1 |
| ECT-SLK 2-15/3 | 0.37 | 0.5 | 1.7-1.9 / 1.0-1.1 |
| ECT-SLK 2-15/5 | 0.37 | 0.5 | 1.7-1.9 / 1.0-1.1 |
| ECT-SLK 2-15/8 | 0.55 | 0.75 | 2.6-2.9 / 1.5-1.7 |
| ECT-SLK 2-15/11 | 0.75 | 1.0 | 3.4-3.4 / 2.0-2.0 |
| ECT-SLK 2-15/15 | 1.1 | 1.5 | 4.8-5.0 / 2.8-2.9 |
| ECT-SLK 2-19/1 | 0.37 | 0.5 | 1.7-1.9 / 1.0-1.1 |
| ECT-SLK 2-19/3 | 0.37 | 0.5 | 1.7-1.9 / 1.0-1.1 |
| ECT-SLK 2-19/5 | 0.37 | 0.5 | 1.7-1.9 / 1.0-1.1 |
| ECT-SLK 2-19/8 | 0.55 | 0.75 | 2.6-2.9 / 1.5-1.7 |
| ECT-SLK 2-19/11 | 0.75 | 1.0 | 3.4-3.4 / 2.0-2.0 |
| ECT-SLK 2-19/15 | 1.1 | 1.5 | 4.8-5.0 / 2.8-2.9 |
| ECT-SLK 2-23/1 | 0.37 | 0.5 | 1.7-1.9 / 1.0-1.1 |
| ECT-SLK 2-23/3 | 0.37 | 0.5 | 1.7-1.9 / 1.0-1.1 |
| ECT-SLK 2-23/5 | 0.37 | 0.5 | 1.7-1.9 / 1.0-1.1 |
| ECT-SLK 2-23/8 | 0.55 | 0.75 | 2.6-2.9 / 1.5-1.7 |
| ECT-SLK 2-23/11 | 0.75 | 1.0 | 3.4-3.4 / 2.0-2.0 |
| ECT-SLK 2-23/15 | 1.1 | 1.5 | 4.8-5.0 / 2.8-2.9 |
| Pump Type | Single Frequency | | |
| | P ₂ | | 3x220-240/380-415V |
| | kW | HP | Max.Amp [A] |
| ECT-SLK 2-19/19 | 0.75 | 1.0 | 3.4-3.4 / 2.0-2.0 |
| ECT-SLK 2-23/19 | 0.75 | 1.0 | 3.4-3.4 / 2.0-2.0 |
| ECT-SLK 2-23/23 | 0.75 | 1.0 | 3.4-3.4 / 2.0-2.0 |

Dimensions and Weights

| Pump Type | Dual Frequency | | | | Net Weight (kg) |
|-----------|------------------|-----|-----|------|-----------------|
| | Dimensions(mm) | | | | |
| | A | B | C | D | |
| 413 | 270 | 143 | 105 | 9.4 | |
| 455 | 270 | 185 | 105 | 9.6 | |
| 455 | 270 | 185 | 105 | 9.8 | |
| 497 | 270 | 227 | 105 | 9.9 | |
| 497 | 270 | 227 | 105 | 10.1 | |
| 497 | 270 | 227 | 105 | 10.2 | |
| 560 | 270 | 290 | 105 | 10.2 | |
| 560 | 270 | 290 | 105 | 10.4 | |
| 560 | 270 | 290 | 105 | 10.6 | |
| 560 | 270 | 290 | 105 | 11.3 | |
| 623 | 270 | 353 | 105 | 10.5 | |
| 623 | 270 | 353 | 105 | 10.7 | |
| 623 | 270 | 353 | 105 | 10.8 | |
| 623 | 270 | 353 | 105 | 11.6 | |
| 666 | 313 | 353 | 120 | 13.8 | |
| 707 | 270 | 437 | 105 | 10.9 | |
| 707 | 270 | 437 | 105 | 11.1 | |
| 707 | 270 | 437 | 105 | 11.3 | |
| 707 | 270 | 437 | 105 | 12.1 | |
| 750 | 313 | 437 | 120 | 14.2 | |
| 750 | 313 | 437 | 120 | 15.7 | |
| 791 | 270 | 521 | 105 | 11.2 | |
| 791 | 270 | 521 | 105 | 11.3 | |
| 791 | 270 | 521 | 105 | 11.5 | |
| 791 | 270 | 521 | 105 | 12.3 | |
| 834 | 313 | 521 | 120 | 14.4 | |
| 834 | 313 | 521 | 120 | 15.9 | |
| 875 | 270 | 605 | 105 | 11.9 | |
| 875 | 270 | 605 | 105 | 12.1 | |
| 875 | 270 | 605 | 105 | 12.3 | |
| 875 | 270 | 605 | 105 | 13.1 | |
| 918 | 313 | 605 | 120 | 15.2 | |
| 918 | 313 | 605 | 120 | 16.7 | |
| Pump Type | Single Frequency | | | | Net Weight (kg) |
| | Dimensions(mm) | | | | |
| | A | B | C | D | |
| 834 | 313 | 521 | 120 | 15.2 | |
| 818 | 313 | 605 | 120 | 15.6 | |
| 918 | 313 | 605 | 120 | 16.0 | |



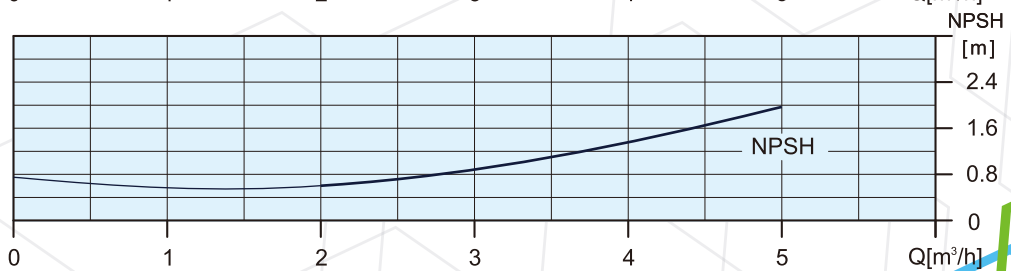
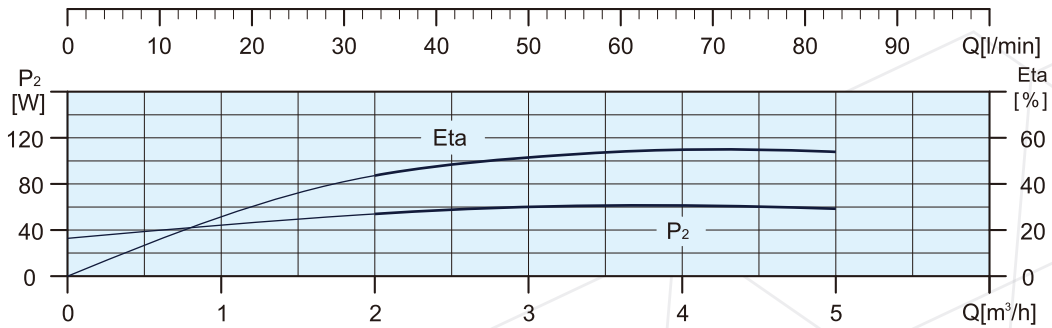
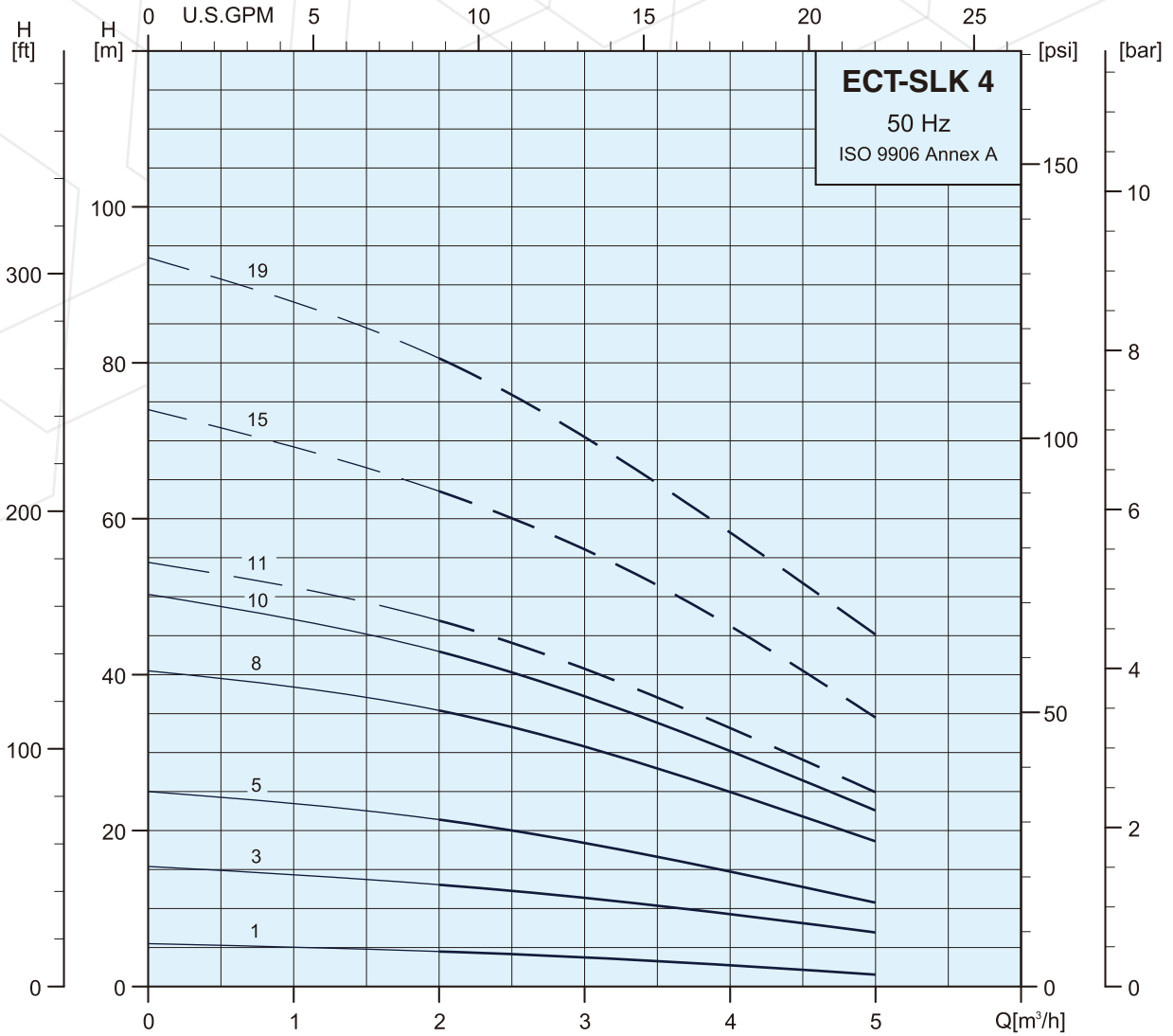
Flange





Technical Data

Performance Range



* --- Single Frequency
— Dual Frequency

Technical Data

Specifications

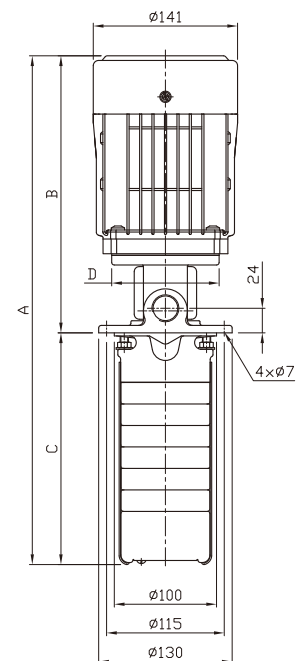
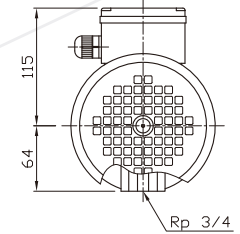
| Dual Frequency | | | |
|-----------------|----------------|------|---------------------|
| Pump Type | P ₂ | | 3x220-240V/380-415V |
| | kW | HP | Max.Amp [A] |
| ECT-SLK 4-1/1 | 0.37 | 0.5 | 1.7-1.9 / 1.0-1.1 |
| ECT-SLK 4-3/1 | 0.37 | 0.5 | 1.7-1.9 / 1.0-1.1 |
| ECT-SLK 4-3/3 | 0.37 | 0.5 | 1.7-1.9 / 1.0-1.1 |
| ECT-SLK 4-5/1 | 0.37 | 0.5 | 1.7-1.9 / 1.0-1.1 |
| ECT-SLK 4-5/3 | 0.37 | 0.5 | 1.7-1.9 / 1.0-1.1 |
| ECT-SLK 4-5/5 | 0.55 | 0.75 | 2.6-2.9 / 1.5-1.7 |
| ECT-SLK 4-8/1 | 0.37 | 0.5 | 1.7-1.9 / 1.0-1.1 |
| ECT-SLK 4-8/3 | 0.37 | 0.5 | 1.7-1.9 / 1.0-1.1 |
| ECT-SLK 4-8/5 | 0.55 | 0.75 | 2.6-2.9 / 1.5-1.7 |
| ECT-SLK 4-8/8 | 1.1 | 1.5 | 4.8-5.0 / 2.8-2.9 |
| ECT-SLK 4-11/1 | 0.37 | 0.5 | 1.7-1.9 / 1.0-1.1 |
| ECT-SLK 4-11/3 | 0.37 | 0.5 | 1.7-1.9 / 1.0-1.1 |
| ECT-SLK 4-11/5 | 0.55 | 0.75 | 2.6-2.9 / 1.5-1.7 |
| ECT-SLK 4-11/8 | 1.1 | 1.5 | 4.8-5.0 / 2.8-2.9 |
| ECT-SLK 4-11/10 | 1.1 | 1.5 | 4.8-5.0 / 2.8-2.9 |
| ECT-SLK 4-15/1 | 0.37 | 0.5 | 1.7-1.9 / 1.0-1.1 |
| ECT-SLK 4-15/3 | 0.37 | 0.5 | 1.7-1.9 / 1.0-1.1 |
| ECT-SLK 4-15/5 | 0.55 | 0.75 | 2.6-2.9 / 1.5-1.7 |
| ECT-SLK 4-15/8 | 1.1 | 1.5 | 4.8-5.0 / 2.8-2.9 |
| ECT-SLK 4-15/10 | 1.1 | 1.5 | 4.8-5.0 / 2.8-2.9 |
| ECT-SLK 4-19/1 | 0.37 | 0.5 | 1.7-1.9 / 1.0-1.1 |
| ECT-SLK 4-19/3 | 0.37 | 0.5 | 1.7-1.9 / 1.0-1.1 |
| ECT-SLK 4-19/5 | 0.55 | 0.75 | 2.6-2.9 / 1.5-1.7 |
| ECT-SLK 4-19/8 | 1.1 | 1.5 | 4.8-5.0 / 2.8-2.9 |
| ECT-SLK 4-19/10 | 1.1 | 1.5 | 4.8-5.0 / 2.8-2.9 |

| Single Frequency | | | |
|------------------|----------------|-----|---------------------|
| Pump Type | P ₂ | | 3x220-240V/380-415V |
| | kW | HP | Max.Amp [A] |
| ECT-SLK 4-11/11 | 0.75 | 1.0 | 3.4-3.4 / 2.0-2.0 |
| ECT-SLK 4-15/11 | 0.75 | 1.0 | 3.4-3.4 / 2.0-2.0 |
| ECT-SLK 4-15/15 | 1.1 | 1.5 | 4.8-5.0 / 2.8-2.9 |
| ECT-SLK 4-19/11 | 0.75 | 1.0 | 3.4-3.4 / 2.0-2.0 |
| ECT-SLK 4-19/15 | 1.1 | 1.5 | 4.8-5.0 / 2.8-2.9 |
| ECT-SLK 4-19/19 | 1.1 | 1.5 | 4.8-5.0 / 2.8-2.9 |

Dimensions and Weights

| Dual Frequency | | | | |
|----------------|-----|-----|-----|-----------------|
| Dimensions(mm) | | | | Net Weight (kg) |
| A | B | C | D | |
| 413 | 270 | 143 | 105 | 9.4 |
| 455 | 270 | 185 | 105 | 9.6 |
| 455 | 270 | 185 | 105 | 9.8 |
| 497 | 270 | 227 | 105 | 9.9 |
| 497 | 270 | 227 | 105 | 10.0 |
| 497 | 270 | 227 | 105 | 10.7 |
| 560 | 270 | 290 | 105 | 10.1 |
| 560 | 270 | 290 | 105 | 10.3 |
| 560 | 270 | 290 | 105 | 10.9 |
| 603 | 313 | 290 | 120 | 14.2 |
| 623 | 270 | 353 | 105 | 10.4 |
| 623 | 270 | 353 | 105 | 10.6 |
| 623 | 270 | 353 | 105 | 11.3 |
| 666 | 313 | 353 | 120 | 14.5 |
| 666 | 313 | 353 | 120 | 14.7 |
| 707 | 270 | 437 | 105 | 10.9 |
| 707 | 270 | 437 | 105 | 11.0 |
| 707 | 270 | 437 | 105 | 11.7 |
| 750 | 313 | 437 | 120 | 15.0 |
| 750 | 313 | 437 | 120 | 15.2 |
| 791 | 270 | 521 | 105 | 11.2 |
| 791 | 270 | 521 | 105 | 11.4 |
| 791 | 270 | 521 | 105 | 12.1 |
| 834 | 313 | 521 | 120 | 15.4 |
| 834 | 313 | 521 | 120 | 15.6 |

| Single Frequency | | | | |
|------------------|-----|-----|-----|-----------------|
| Dimensions(mm) | | | | Net Weight (kg) |
| A | B | C | D | |
| 666 | 313 | 353 | 120 | 13.7 |
| 750 | 313 | 437 | 120 | 14.1 |
| 750 | 313 | 437 | 120 | 15.6 |
| 834 | 313 | 521 | 120 | 14.5 |
| 834 | 313 | 521 | 120 | 16.0 |
| 834 | 313 | 521 | 120 | 16.4 |



Flange

