

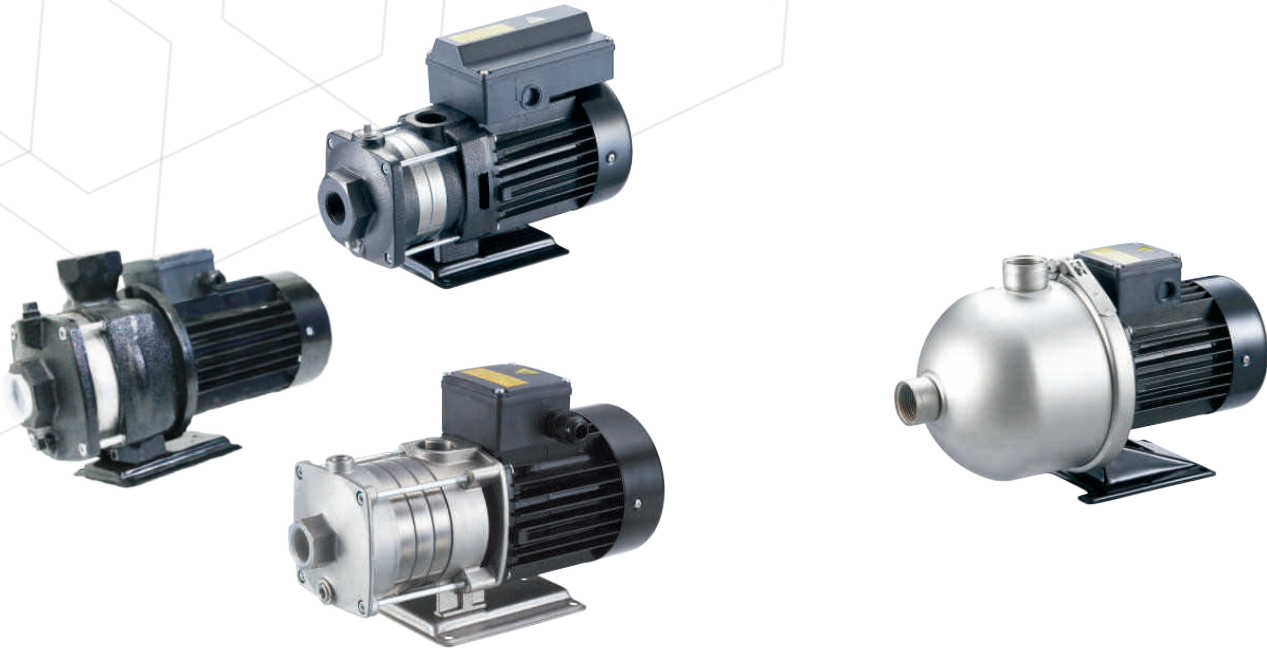
ECT-CB , ECT-CBI series
ECT-HBI , ECT-HBN series



ECT PUMP

Horizontal Multistage Pumps

50Hz



ECT-CB(I)

ECT-HBI(N)

ECT-CB(I) series and ECT-HBI(N) series pumps are horizontal multistage pumps.

Horizontal Multistage Pump is non-self priming and closed coupled pump. It is ideal for a wide variety of domestic, commercial and industrial applications. Its small size saves valuable space, while it's Cast Iron, 304 and 316 stainless steel construction, ensures a long, trouble-free life.

Horizontal Multistage Pump features a maintenance-free, so the pump can handle commercial and industrial liquids in a broad range of operating conditions.

Energy & Care Technology GmbH

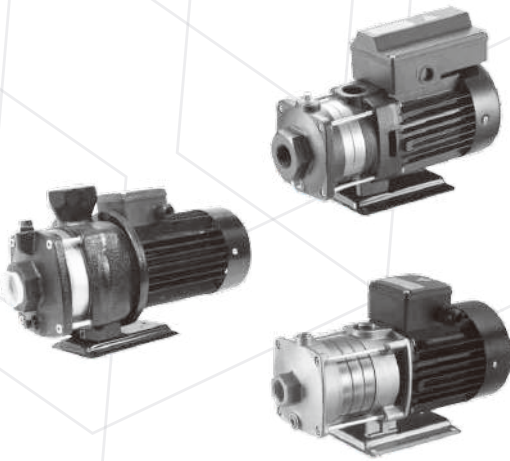
ECT-CB , ECT-CBI series



ECT PUMP

General Data

50Hz



APPLICATIONS

1. Domestic
2. Liquid transfer and circulation of liquids within light industry and farming
3. Pressure boosting
4. Air-conditioning systems
5. Cooling systems or cooling machine
6. Specialized OEM equipment

PUMP

1. The ECT-CB and ECT-CBI series are non-self priming, horizontal multistage centrifugal pumps.
2. Pump is coupled with motor at the same shaft and mounted on a base-plate.
3. The friendly design makes the pump suitable for installation in the small domestic or industrial water supply systems.
4. The pump is fitted with a mechanical seal and through-going pump-motor shaft.

MOTOR

1. The pump is fitted with a totally enclosed, fan-cooled, squirrel-cage motor.
 2. Single-phase motors have built-in thermal overload protection.
- Frequency : 50Hz
 - Nominal Speed : 2850 rpm
 - Insulation class: F
 - Enclosure class: IP 55

MODEL CODE

	ECT-CB(I)	2	-	20
Model				
Rated Flow (m ³ /h)				
Number of Impeller x 10				

PUMPED LIQUIDS

- These pumps are designed for pumping freely flowing non-corrosive, non-explosive. and non-flammable liquids.
- The liquids to be pumped must also be free of solid matter,sands, fibers, and similar materials.
- Most common non-highly corrosive watery liquids,oily liquids, hot and cold liquids can be pumped with these pumps.
- The suitability of these pumps for pumping any particular liquid depends upon a number of factors, such as the ph value,contents of chemicals such as chlorides, oils, the temperature of the liquids,etc.

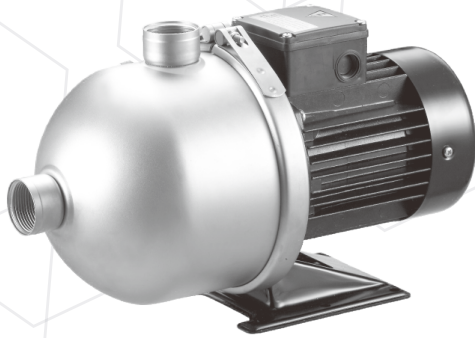
ECT-HBI, ECT-HBN series



ECT PUMP

General Data

50Hz



APPLICATIONS

1. Water supply and pressure boosting
2. Air-conditioning
3. Water treatment
4. Heating and cooling in industrial processes
5. Industrial washing and dish-washing machines softened water
6. Pressure boosting of process water
7. Fertilizer/dosing systems

PUMP

A horizontal, multistage centrifugal pump is made of stainless steel. The pump is a non-self priming type and fitted with a mechanical shaft seal.

MOTOR

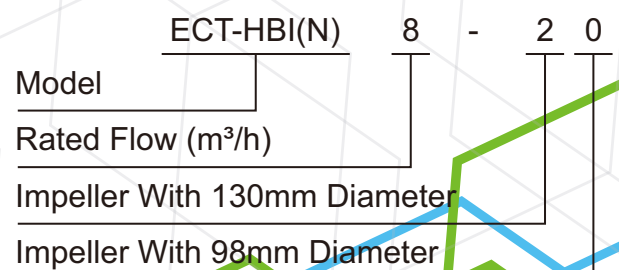
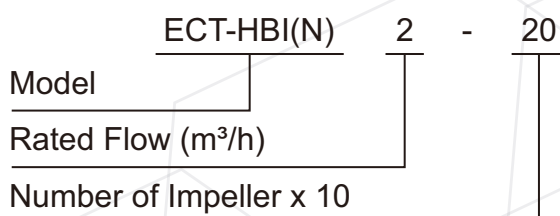
Totally enclosed and fan-cooled standard motor.

- Frequency : 50Hz
Nominal Speed : 2850 rpm
- Insulation class: F
- Enclosure class: IP 55

PUMPED LIQUIDS

- These pumps are designed for pumping freely flowing non-corrosive, non-explosive. and non-flammable liquids.
- The liquids to be pumped must also be free of solid matter, sands, fibers, and similar materials.
- Most common non-highly corrosive watery liquids, oily liquids, hot and cold liquids can be pumped with these pumps.
- The suitability of these pumps for pumping any particular liquid depends upon a number of factors, such as the ph value, contents of chemicals such as chlorides, oils, the temperature of the liquids, etc.

MODEL CODE



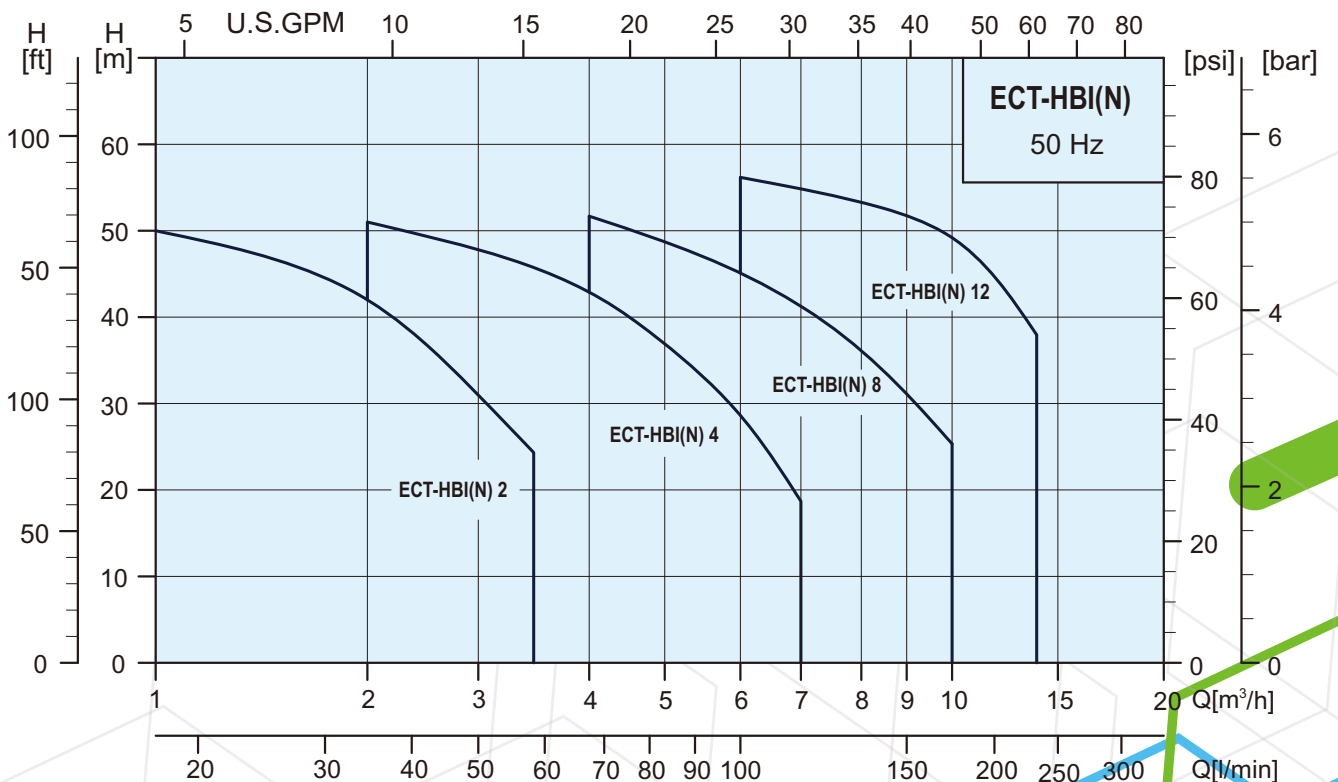
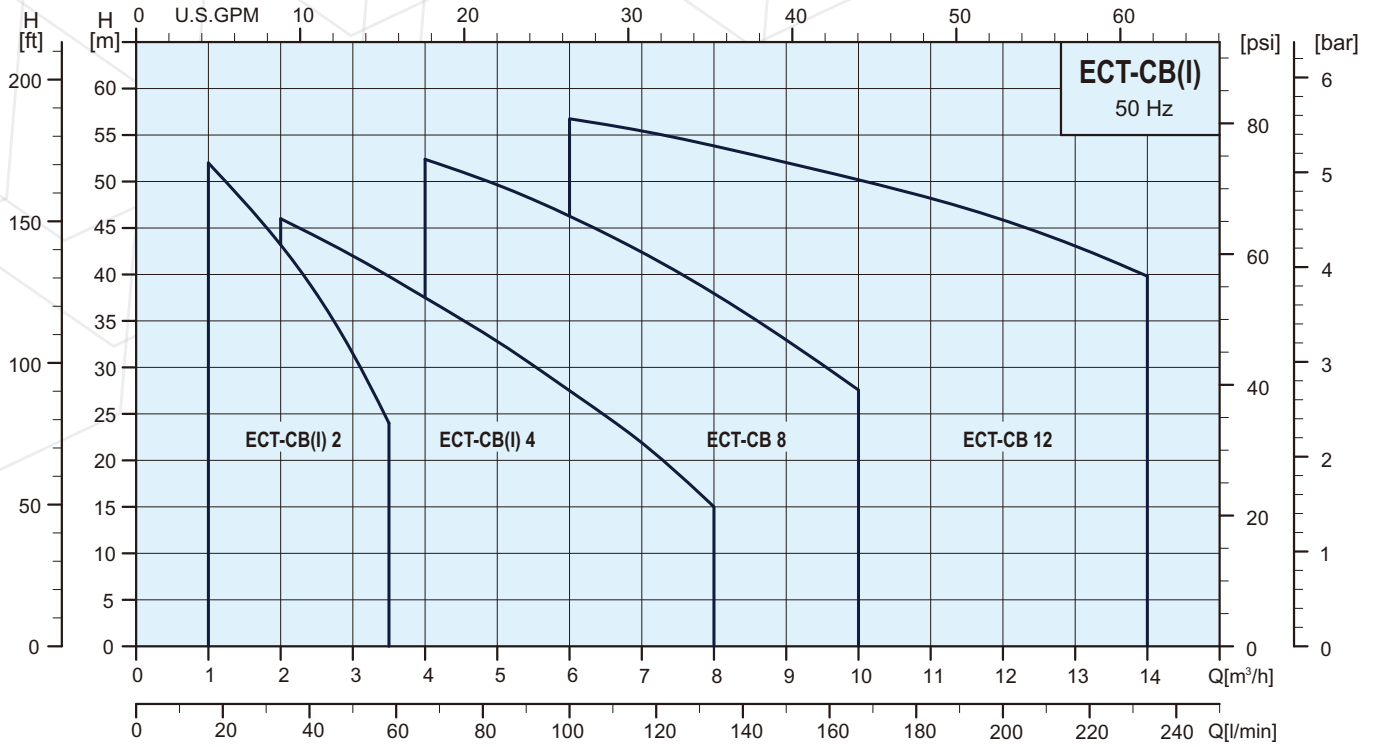
ECT-CB , ECT-CBI series ECT-HBI , ECT-HBN series General Data



ECT PUMP

50Hz

PERFORMANCE RANGE



ECT-CB, ECT-CBI series



ECT PUMP

General Data

50Hz

STANDARD VOLTAGES

	Phase	Voltages
50Hz	1Ø	220-240V
	3Ø	220-240V / 380-415V

MECHANICAL SEALS

Seal Type	ECT-CB		ECT-CBI
	2,4	8,12	2,4
C : O-ring seal with spring as seal driver	●	●	●
H : O-ring seal with fixed seal driver	○	○	○
Seals Face Material			
QB	●	●	●
QQ	○	○	○
UU	○	○	○
Secondary Seal Material			
E	●	●	●
V	○	○	○

List of Materials	
Q : Silicon carbide	E : EPDM
U : Tungsten carbide	V : Viton
B : Carbon	

● Str. ○ Opt. – N/A

PIPE CONNECTIONS

Connections	ECT-CB(l) 2	ECT-CB(l) 4	ECT-CB 8	ECT-CB 12
Suction port	Rp or NPT 1	Rp or NPT 1 1/4	Rp or NPT 1 1/2	Rp or NPT 1 1/2
Discharge port	Rp or NPT 1	Rp or NPT 1	Rp or NPT 1 1/4	Rp or NPT 1 1/2
Drain hole, priming hole	Rc 3/8	Rc 3/8	Rp 1/2	Rp 1/2

OPERATING CONDITIONS

- Liquid : ECT-CB : Thin, clean, non-aggressive and non-explosive liquids without solid particles or fibres.
ECT-CBI : Thin, clean, slightly aggressive and non-explosive liquids without solid particles or fibres.
- Liquid temperature : +32°F to +194°F (0°C to +90°C)
- Maximum ambient temperature : +122°F (+50°C)
- The maximum operating pressure depends on the temperature of the pumped liquid, see table :

Max. operating pressure	10 kg/cm ² / bar	6 kg/cm ² / bar
ECT-CB(l) 2, 4	0°C to +40°C	+41°C to +90°C
ECT-CB 8, 12	0°C to +55°C	+56°C to +90°C

- Min. inlet pressure : According to the NPSH curve + a safety margin of 0.5m.
- Max. inlet pressure : Limited by the max. operating pressure.

ECT-HBI, ECT-HBN series



ECT PUMP

General Data

50Hz

STANDARD VOLTAGES

	Phase	Voltages
50Hz	1Ø	220-240V
	3Ø	220-240V / 380-415V

MECHANICAL SEALS

Seal Type	ECT-HBI		ECT-HBN	
	2,4	8,12	2,4	8,12
R : Rubber bellows Seal	●	●	●	●
Seals Face Material				
QB	●	●	-	-
QQ	○	○	●	●
Secondary Seal Material				
E	●	●	●	●
V	○	○	○	○

List of Materials	
Q : Silicon carbide	E : EPDM
B : Carbon	V : Viton

● Str. ○ Opt. – N/A

PIPE CONNECTIONS

Connections	ECT-CBI(N) 2	ECT-CBI(N) 4	ECT-HBI(N) 8	ECT-HBI(N) 12
Suction port	Rp or NPT 1	Rp or NPT 1 1/4	Rp or NPT 1 1/2	Rp or NPT 1 1/2
Discharge port	Rp or NPT 1	Rp or NPT 1 1/4	Rp or NPT 1 1/2	Rp or NPT 1 1/2
Drain hole, priming hole	G 3/8	G 3/8	G 3/8	G 3/8

OPERATING CONDITIONS

- Liquid temperature range: +32°F to +230°F(0°C~+110°C)
- Maximum ambient temperature: 122°F(+50°C)
- Maximum operating pressure: 10 kg/cm²
- Maximum inlet pressure is limited by maximum operating pressure.

ECT-CB , ECT-CBI series



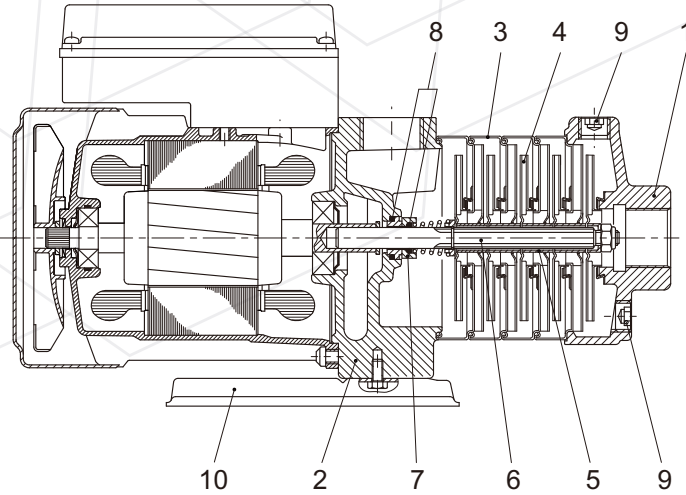
ECT PUMP

General Data

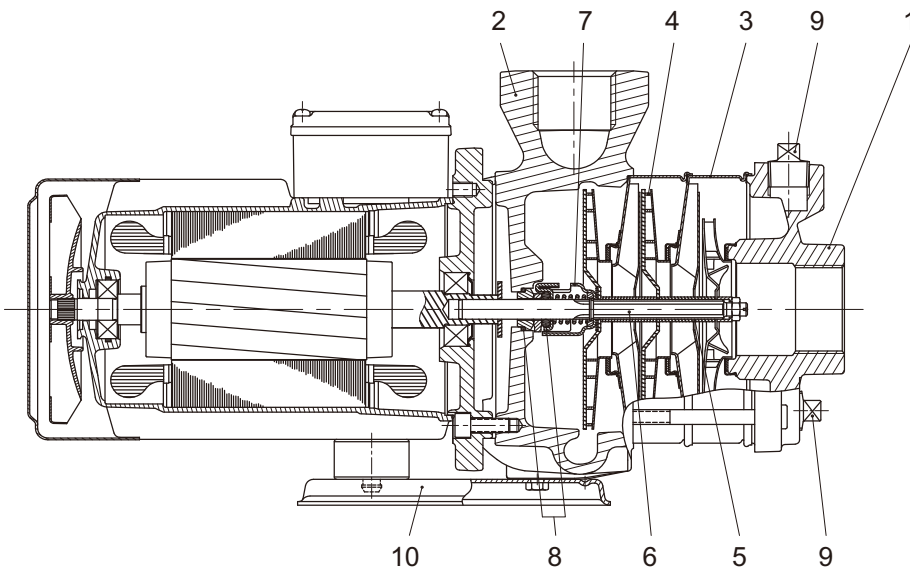
MATERIALS

50Hz

ECT-CB(I) 2,4



ECT-CB 8,12



Pos.	Description	Materials	
		ECT-CB	ECT-CBI
1	Suction chamber	Cast iron	SS304
2	Pump head	Cast iron	SS304
3	Intermediate chamber	SS304	SS304
4	Impeller	SS304	SS304
5	Spacing pipe	SS304	SS304
6	Shaft	SS431	SS431
7	Mechanical seal	Silicon carbide / Carbon	Silicon carbide / Carbon
8	O-ring	EPDM	EPDM
9	Drain and priming plug	Steel	SS304
10	Base plate	Steel	SS304

ECT-HBI, ECT-HBN series

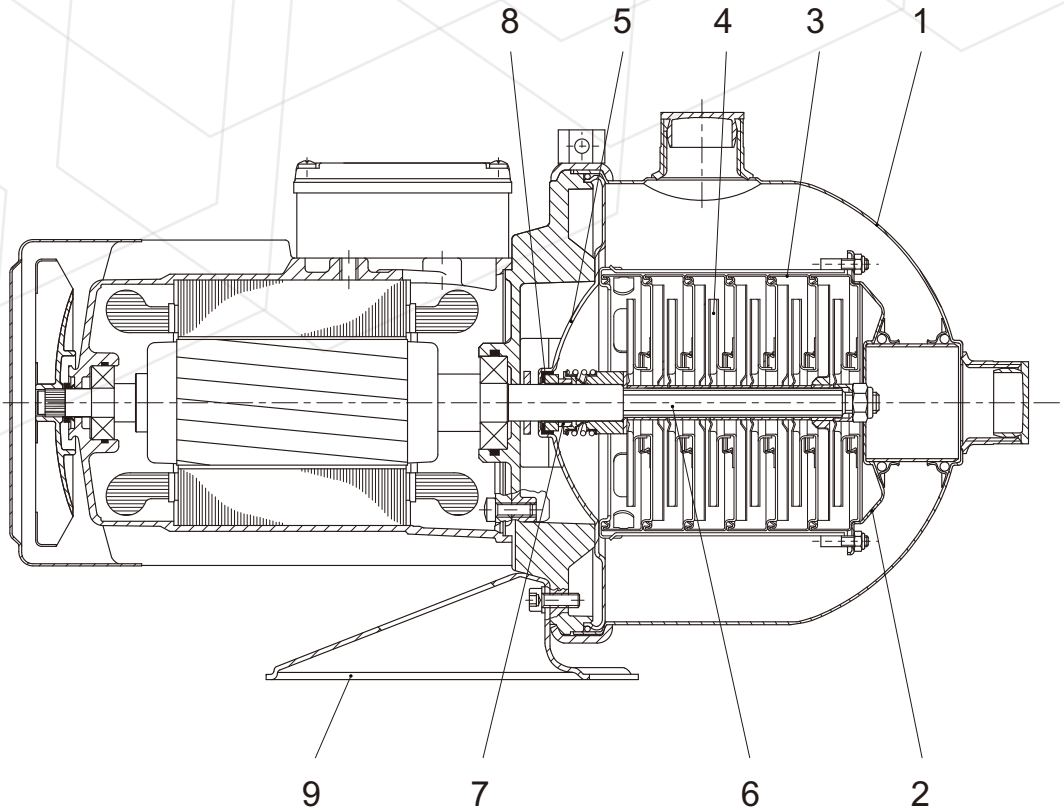


ECT PUMP

General Data

MATERIALS

50Hz



Pos.	Description	Materials	
		ECT-HBI	ECT-HBN
1	Pump casing	SS304	SS316
2	Suction inter-connector	SS304	SS316
3	Chamber	SS304	SS316
4	Impeller	SS304	SS316
5	Cover plate	SS304	SS316
6	Shaft	SS431	SS316
7	Mechanical seal	Silicon Carbide / Carbon	Silicon Carbide / Silicon Carbide
8	Rubber Cup	EPDM	EPDM
9	Base plate	Steel	Steel

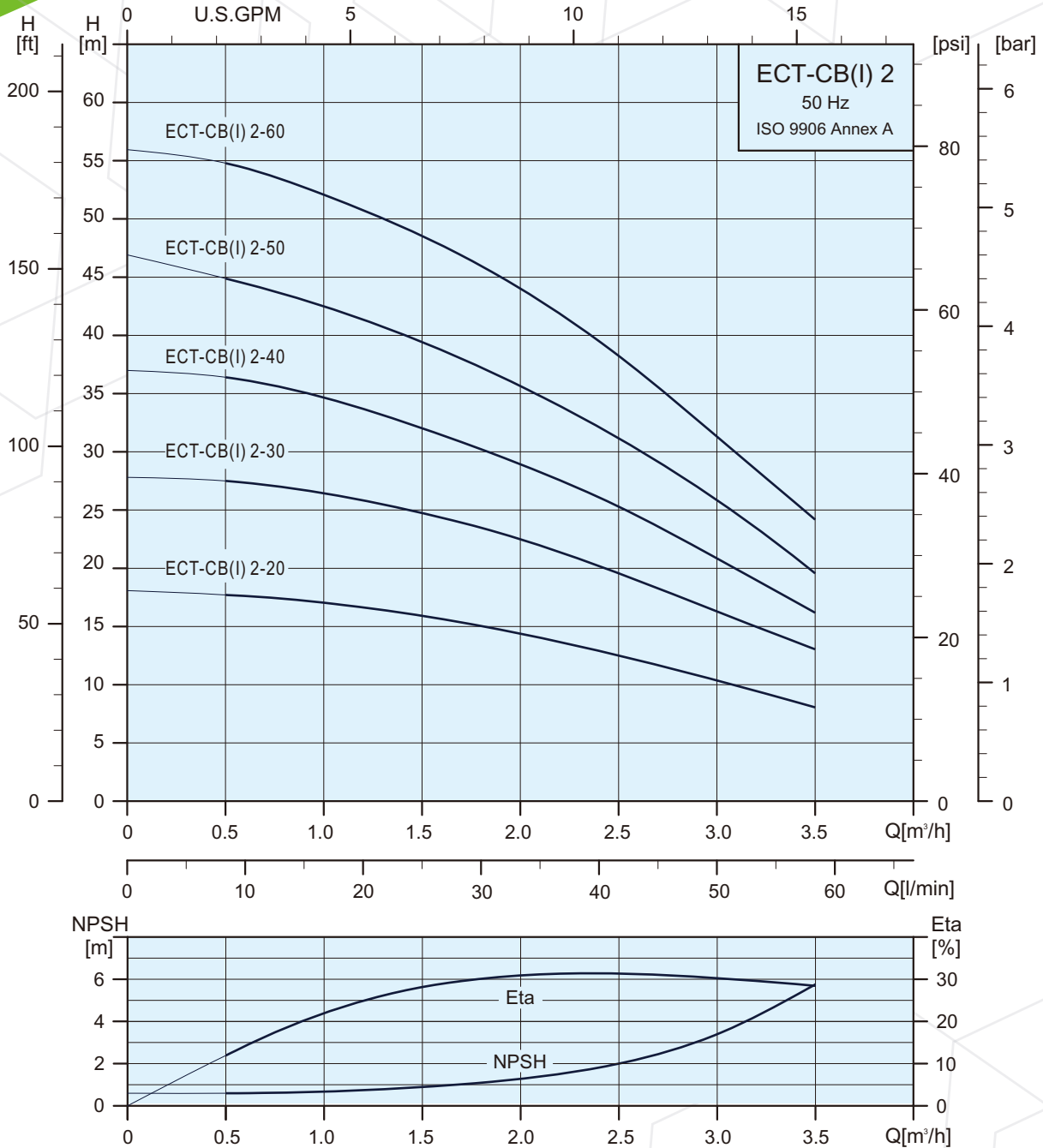
ECT-CB, ECT-CBI series



ECT PUMP

Technical Data

PERFORMANCE RANGE



SPECIFICATIONS

Pump Type	220-240V			Δ 220-240 / Y 380-415V		
	1Ø			3Ø		
	Max.Amp	P ₁ [W]	P ₂ [W]	Max.Amp	P ₁ [W]	P ₂ [W]
ECT-CB/CBI 2-20	1.7 - 2.0	380	295	2.2 - 2.6 / 1.3 - 1.5	430	330
ECT-CB/CBI 2-30	2.1 - 2.2	470	360	2.2 - 2.5 / 1.3 - 1.45	530	410
ECT-CB/CBI 2-40	2.7 - 2.8	620	480	2.4 - 2.8 / 1.4 - 1.6	660	510
ECT-CB/CBI 2-50	3.2 - 3.1	720	550	2.5 - 2.9 / 1.45 - 1.7	770	585
ECT-CB/CBI 2-60	3.7 - 3.6	830	630	2.9 - 3.3 / 1.7 - 1.9	860	655

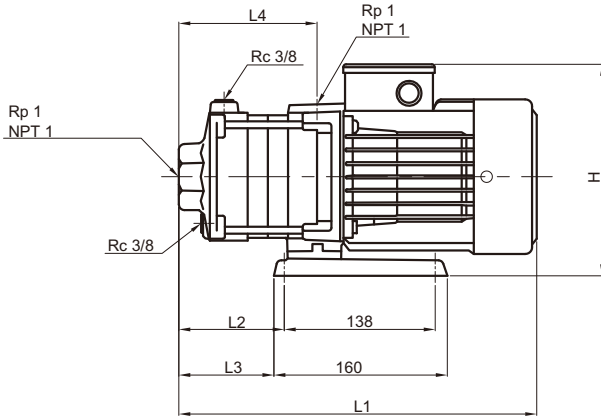
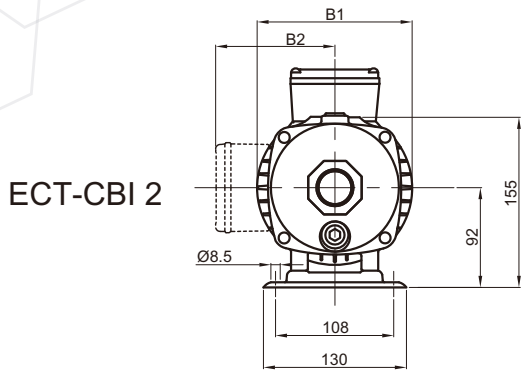
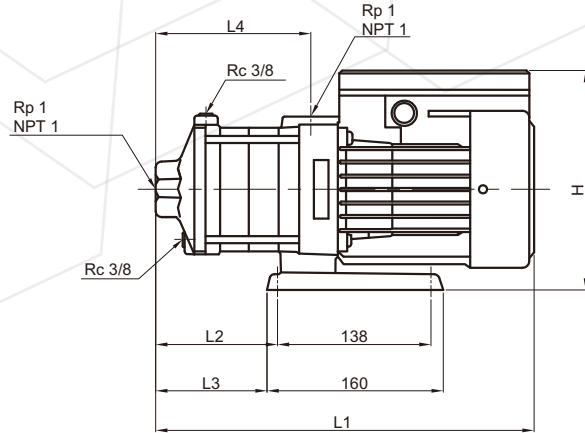
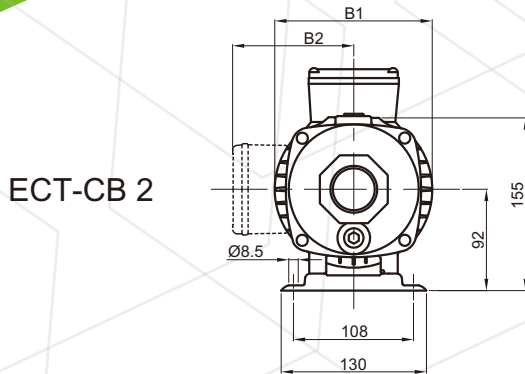
ECT-CB, ECT-CBI series



ECT PUMP

Technical Data

DIMENSIONS AND WEIGHTS



Pump Type	Phase	Dimensions (mm)							Net Weight (kg)
		L1	L2	L3	L4	B1	B2	H	
ECT-CB 2-20	1Ø	309	75	63	101	141	136	228	10.3
	3Ø	309	75	63	101	141	115	207	10.0
ECT-CB 2-30	1Ø	327	93	81	119	141	136	228	10.5
	3Ø	327	93	81	119	141	115	207	10.3
ECT-CB 2-40	1Ø	345	111	99	137	141	136	228	10.8
	3Ø	345	111	99	137	141	115	207	10.5
ECT-CB 2-50	1Ø	363	129	117	155	141	136	228	11.6
	3Ø	363	129	117	155	141	115	207	11.2
ECT-CB 2-60	1Ø	381	147	135	173	141	136	228	11.8
	3Ø	381	147	135	173	141	115	207	11.5
ECT-CBI 2-20	1Ø	309	75	63	101	141	136	228	9.1
	3Ø	309	75	63	101	141	115	207	8.8
ECT-CBI 2-30	1Ø	327	93	81	119	141	136	228	9.4
	3Ø	327	93	81	119	141	115	207	9.1
ECT-CBI 2-40	1Ø	345	111	99	137	141	136	228	9.6
	3Ø	345	111	99	137	141	115	207	9.4
ECT-CBI 2-50	1Ø	363	129	117	155	141	136	228	10.4
	3Ø	363	129	117	155	141	115	207	10.1
ECT-CBI 2-60	1Ø	381	147	135	173	141	136	228	10.7
	3Ø	381	147	135	173	141	115	207	10.3

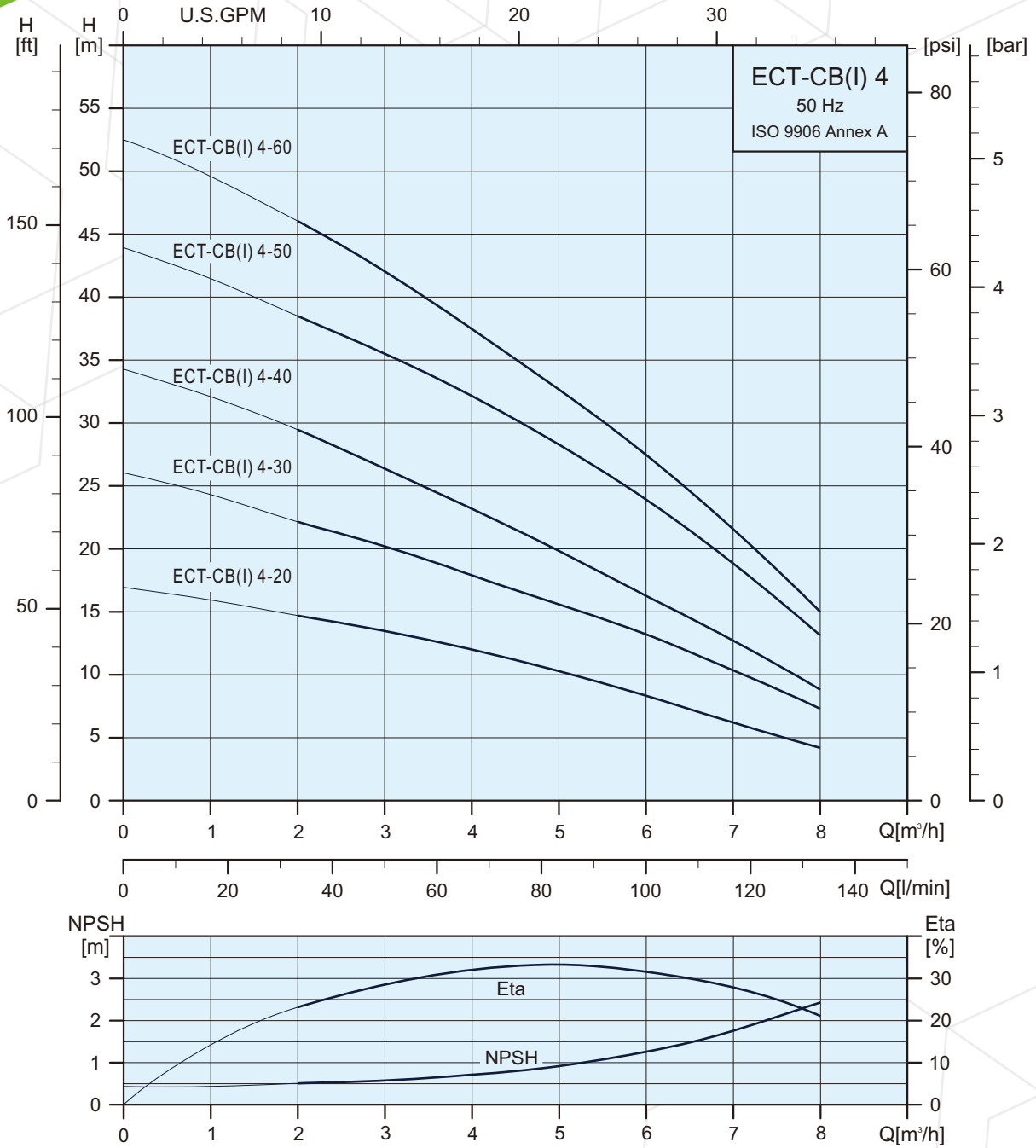
ECT-CB, ECT-CBI series



ECT PUMP

Technical Data

PERFORMANCE RANGE



SPECIFICATIONS

Pump Type	220-240V			Δ 220-240 / Y 380-415V		
	1Ø			3Ø		
	Max.Amp	P1[W]	P2[W]	Max.Amp	P1[W]	P2[W]
ECT-CB/CBI 4-20	2.6 - 2.5	560	430	2.4 - 2.9 / 1.4 - 1.7	610	465
ECT-CB/CBI 4-30	3.6 - 3.5	770	595	2.5 - 2.9 / 1.5 - 1.7	790	604
ECT-CB/CBI 4-40	4.4 - 4.1	960	735	3.1 - 3.3 / 1.8 - 1.9	1010	770
ECT-CB/CBI 4-50	5.3 - 5.0	1160	940	4.2 - 4.5 / 2.4 - 2.6	1240	990
ECT-CB/CBI 4-60	6.7 - 6.4	1430	1135	5.1 - 5.5 / 2.9 - 3.2	1460	1180

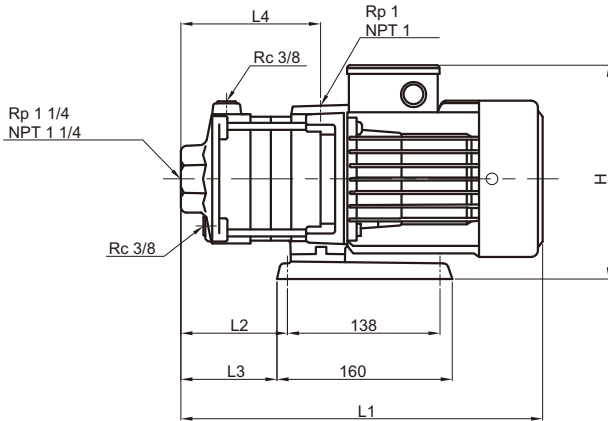
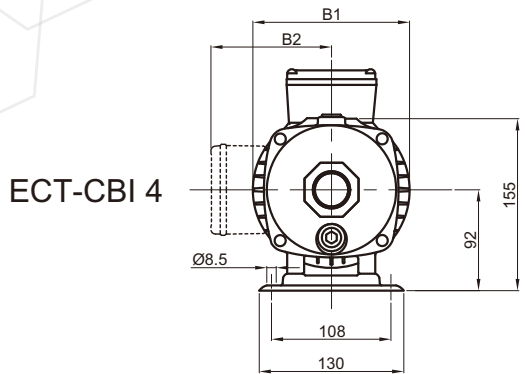
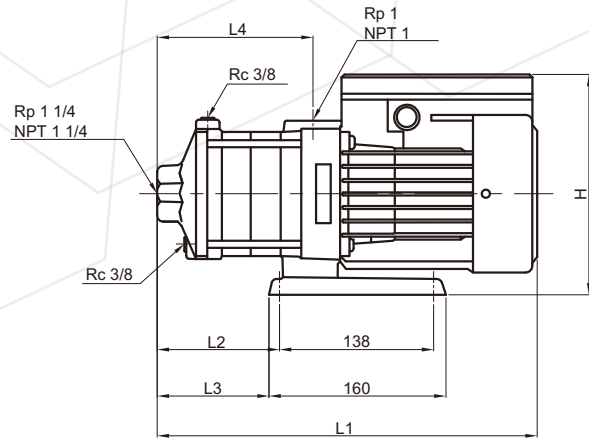
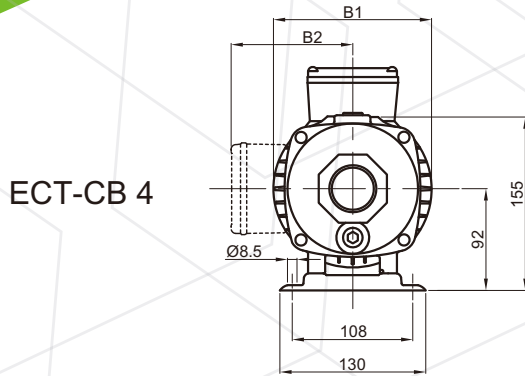
ECT-CB , ECT-CBI series



ECT PUMP

Technical Data

DIMENSIONS AND WEIGHTS



Pump Type	Phase	Dimensions (mm)							Net Weight (kg)
		L1	L2	L3	L4	B1	B2	H	
ECT-CB 4-20	1Ø	318	84	72	110	141	136	228	10.4
	3Ø	318	84	72	110	141	115	207	10.1
ECT-CB 4-30	1Ø	344	111	99	137	141	136	228	10.8
	3Ø	344	111	99	137	141	115	207	10.5
ECT-CB 4-40	1Ø	372	138	126	164	141	136	228	11.6
	3Ø	372	138	126	164	141	115	207	11.2
ECT-CB 4-50	1Ø	438	165	153	191	141	136	228	13.4
	3Ø	438	165	153	191	141	115	207	13.1
ECT-CB 4-60	1Ø	465	192	180	218	141	136	228	14.8
	3Ø	465	192	180	218	141	115	207	14.5
ECT-CBI 4-20	1Ø	318	84	72	110	141	136	228	9.2
	3Ø	318	84	72	110	141	115	207	9.0
ECT-CBI 4-30	1Ø	344	111	99	137	141	136	228	9.6
	3Ø	344	111	99	137	141	115	207	9.3
ECT-CBI 4-40	1Ø	372	138	126	164	141	136	228	10.4
	3Ø	372	138	126	164	141	115	207	10.1
ECT-CBI 4-50	1Ø	438	165	153	191	141	136	228	11.3
	3Ø	438	165	153	191	141	115	207	12.0
ECT-CBI 4-60	1Ø	465	192	180	218	141	136	228	13.6
	3Ø	465	192	180	218	141	115	207	13.4

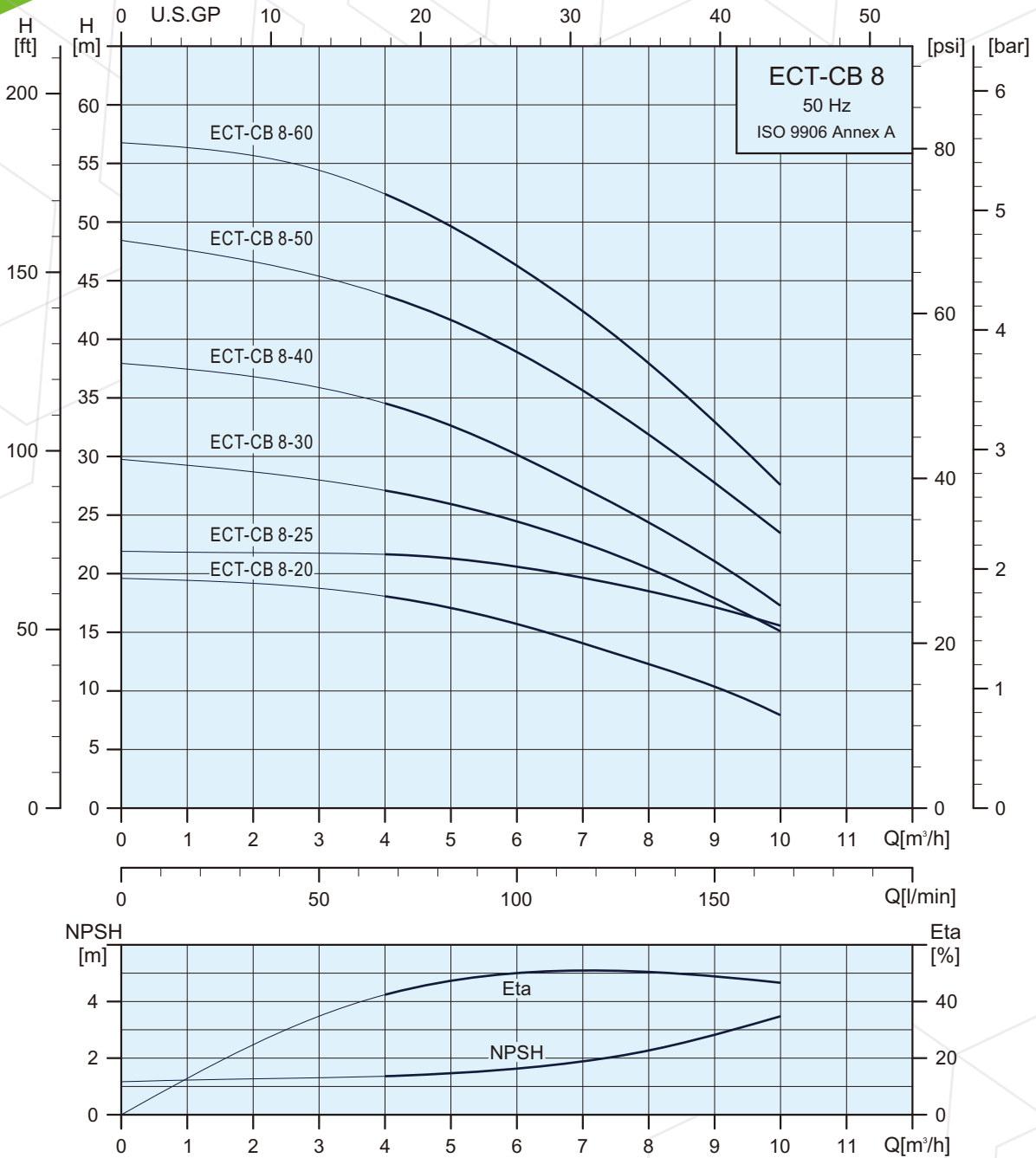
ECT-CB series

Technical Data



ECT PUMP

PERFORMANCE RANGE



SPECIFICATIONS

Pump Type	220-240V			Δ 220-240 / Y 380-415V		
	1Ø			3Ø		
	Max.Amp	P ₁ [W]	P ₂ [W]	Max.Amp	P ₁ [W]	P ₂ [W]
ECT-CB 8-20	3.3 - 3.2	760	595	2.9 - 3.3 / 1.7 - 1.9	810	620
ECT-CB 8-25	-	-	-	3.5 - 3.8 / 2.0 - 2.2	1060	860
ECT-CB 8-30	5.2 - 5.0	1130	910	4.3 - 4.8 / 2.5 - 2.8	1260	1020
ECT-CB 8-40	6.3 - 6.1	1390	1105	5.7 - 6.3 / 3.3 - 3.7	1520	1205
ECT-CB 8-50	8.2 - 8.1	1940	1610	5.7 - 6.3 / 3.4 - 3.7	1860	1475
ECT-CB 8-60	9.0 - 8.8	2090	1740	6.5 - 7.0 / 3.8 - 4.1	2110	1755



ECT-CB series Technical Data

DIMENSIONS AND WEIGHTS

ECT-CB 8

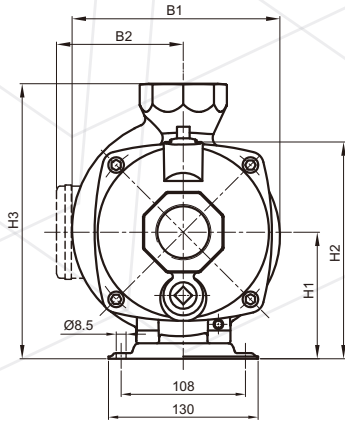


Fig. 1

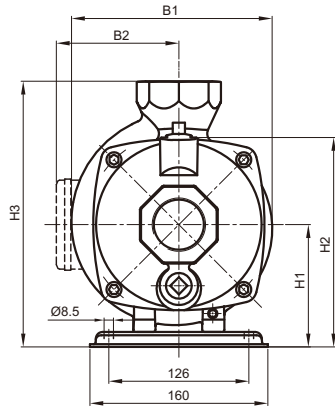
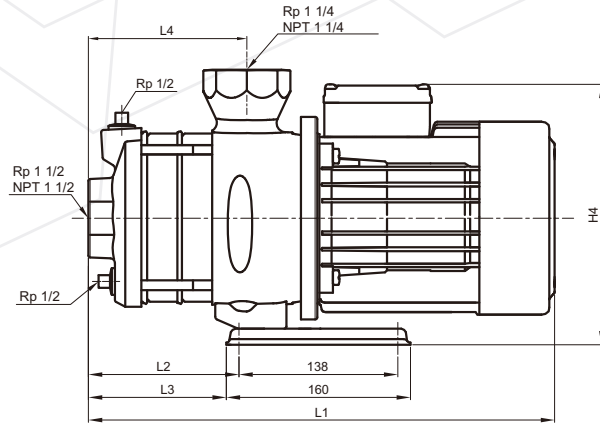
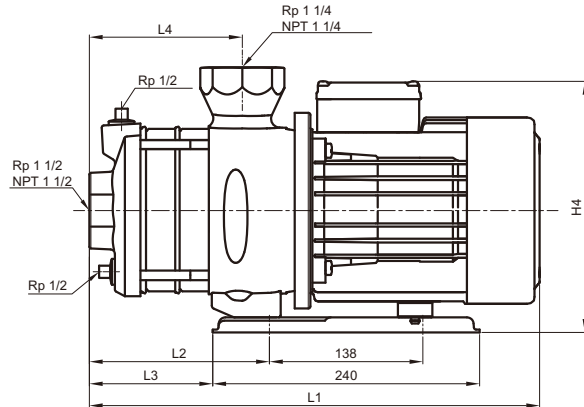


Fig. 2



Pump Type	Phase	Dimensions (mm)										Fig.	Net Weight (kg)
		L1	L2	L3	L4	B1	B2	H1	H2	H3	H4		
ECT-CB 8-20	1Ø	320	54	41	77	181	135	110	187	239	245	1	17.2
	3Ø	320	54	41	77	181	114	110	187	239	224	1	17.0
ECT-CB 8-25	1Ø	-	-	-	-	-	-	-	-	-	-	-	-
	3Ø	390	84	71	107	181	114	110	187	239	224	1	19.1
ECT-CB 8-30	1Ø	390	84	71	107	181	135	110	187	239	245	1	19.5
	3Ø	390	84	71	107	181	114	110	187	239	224	1	19.2
ECT-CB 8-40	1Ø	390	84	71	107	181	135	110	187	239	245	1	20.7
	3Ø	390	84	71	107	181	114	110	187	239	224	1	20.5
ECT-CB 8-50	1Ø	480	162	111	137	185	135	110	187	239	262	2	28.5
	3Ø	420	114	101	137	181	114	110	187	239	224	1	21.4
ECT-CB 8-60	1Ø	480	162	111	137	185	152	110	187	239	262	2	28.7
	3Ø	480	162	111	137	185	139	110	187	239	249	2	27.6

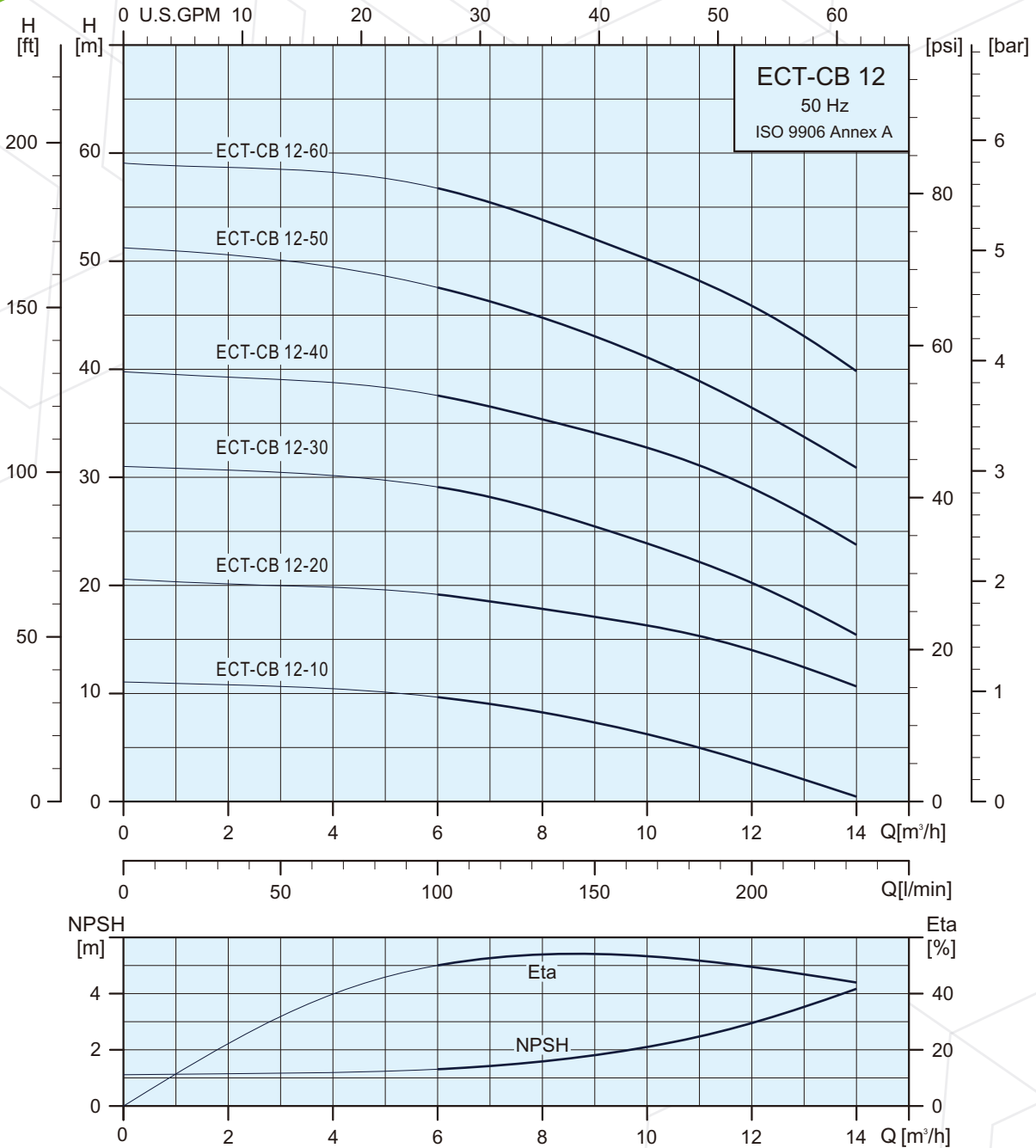
ECT-CB series

Technical Data



ECT PUMP

PERFORMANCE RANGE



SPECIFICATIONS

Pump Type	220-240V			Δ 220-240 / Y 380-415V		
	1Ø			3Ø		
	Max.Amp	P ₁ [W]	P ₂ [W]	Max.Amp	P ₁ [W]	P ₂ [W]
ECT-CB 12-10	-	-	-	2.8 - 3.1 / 1.6 - 1.8	590	455
ECT-CB 12-20	5.3 - 5.1	1160	935	3.8 - 4.0 / 2.2 - 2.3	1170	950
ECT-CB 12-30	7.8 - 7.4	1680	1330	5.7 - 6.5 / 3.3 - 3.8	1690	1365
ECT-CB 12-40	11.0 - 10.6	2400	1995	7.3 - 7.6 / 4.2 - 4.4	2350	1960
ECT-CB 12-50	12.7 - 12.2	2910	2440	8.8 - 9.0 / 5.1 - 5.2	2820	2375
ECT-CB 12-60	-	-	-	10.6 - 11.4 / 6.1 - 6.6	3320	2860

ECT-CB series

Technical Data



ECT PUMP

DIMENSIONS AND WEIGHTS

ECT-CB 12

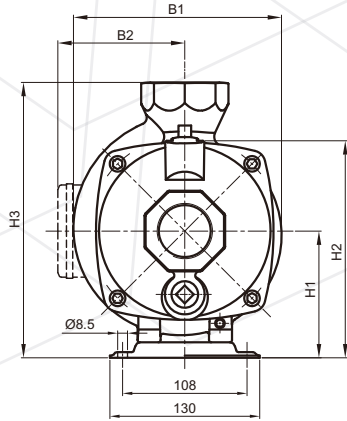


Fig. 1

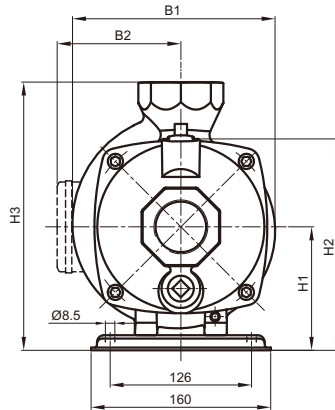
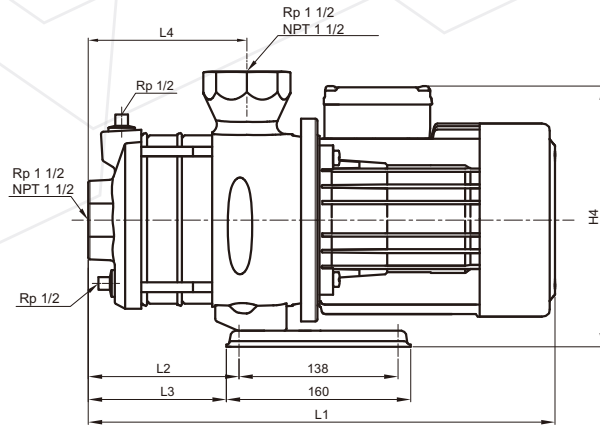
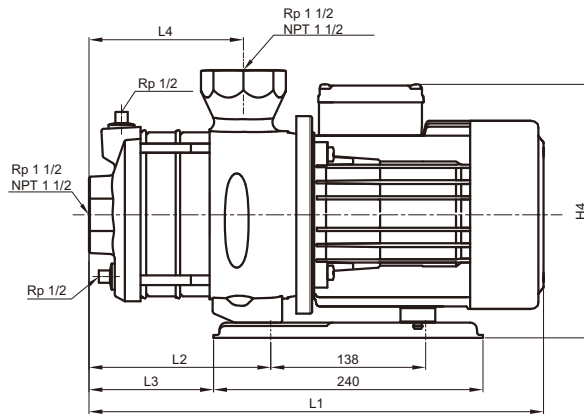


Fig. 2



Pump Type	Phase	Dimensions (mm)										Fig.	Net Weight (kg)	
		L1	L2	L3	L4	B1	B2	H1	H2	H3	H4			
ECT-CB 12-10	1Ø	-	-	-	-	-	-	-	-	-	-	-	-	-
	3Ø	320	54	41	77	181	114	110	187	239	224	1	17.9	
ECT-CB 12-20	1Ø	360	54	41	77	181	135	110	187	239	245	1	18.4	
	3Ø	360	54	41	77	181	114	110	187	239	224	1	18.2	
ECT-CB 12-30	1Ø	390	84	71	107	181	135	110	187	239	245	1	20.6	
	3Ø	390	84	71	107	181	114	110	187	239	224	1	20.4	
ECT-CB 12-40	1Ø	450	132	81	107	185	152	110	187	239	262	2	27.7	
	3Ø	450	132	81	107	185	139	110	187	239	249	2	26.7	
ECT-CB 12-50	1Ø	480	162	111	137	185	152	110	187	239	262	2	29.8	
	3Ø	480	162	111	137	185	139	110	187	239	249	2	29.9	
ECT-CB 12-60	1Ø	-	-	-	-	-	-	-	-	-	-	-	-	
	3Ø	501	162	111	137	196	150	122	199	251	272	2	35.2	

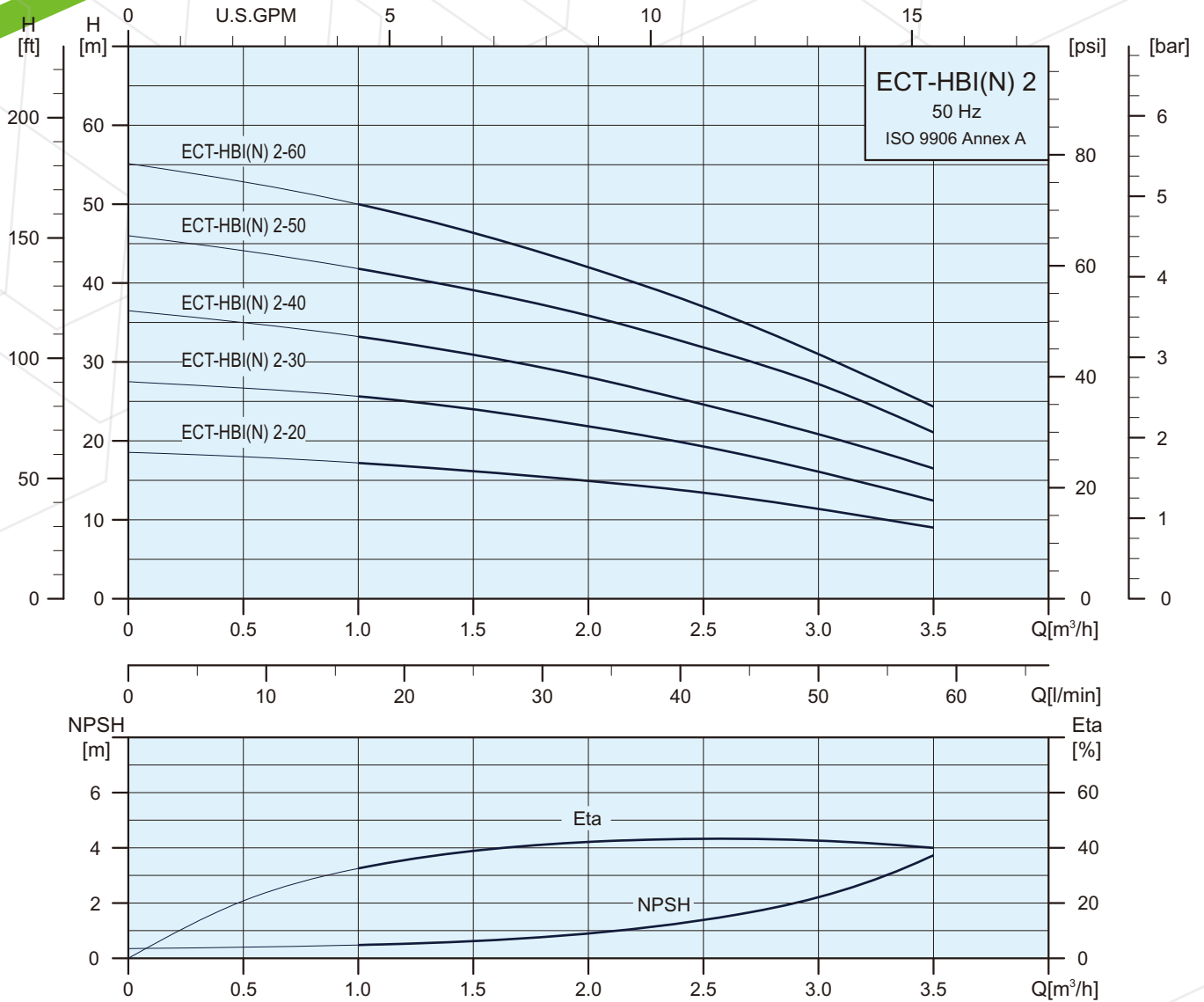
ECT-HBI, ECT-HBN series



ECT PUMP

Technical Data

PERFORMANCE RANGE



SPECIFICATIONS

Pump Type	220-240V			Δ 220-240V / Y 380-415V		
	1Ø			3Ø		
	Max.Amp	P1[W]	P2[W]	Max.Amp	P1[W]	P2[W]
ECT-HBI(N) 2-20	1.7 - 1.9	360	280	2.0 - 2.7 / 1.2 - 1.6	370	290
ECT-HBI(N) 2-30	2.3 - 2.2	470	365	2.4 - 2.8 / 1.4 - 1.6	550	430
ECT-HBI(N) 2-40	2.7 - 2.6	580	455	2.4 - 2.7 / 1.4 - 1.6	650	505
ECT-HBI(N) 2-50	3.2 - 3.3	720	550	2.7 - 3.0 / 1.6 - 1.8	810	620
ECT-HBI(N) 2-60	3.8 - 3.6	830	635	2.9 - 3.3 / 1.7 - 1.9	910	690

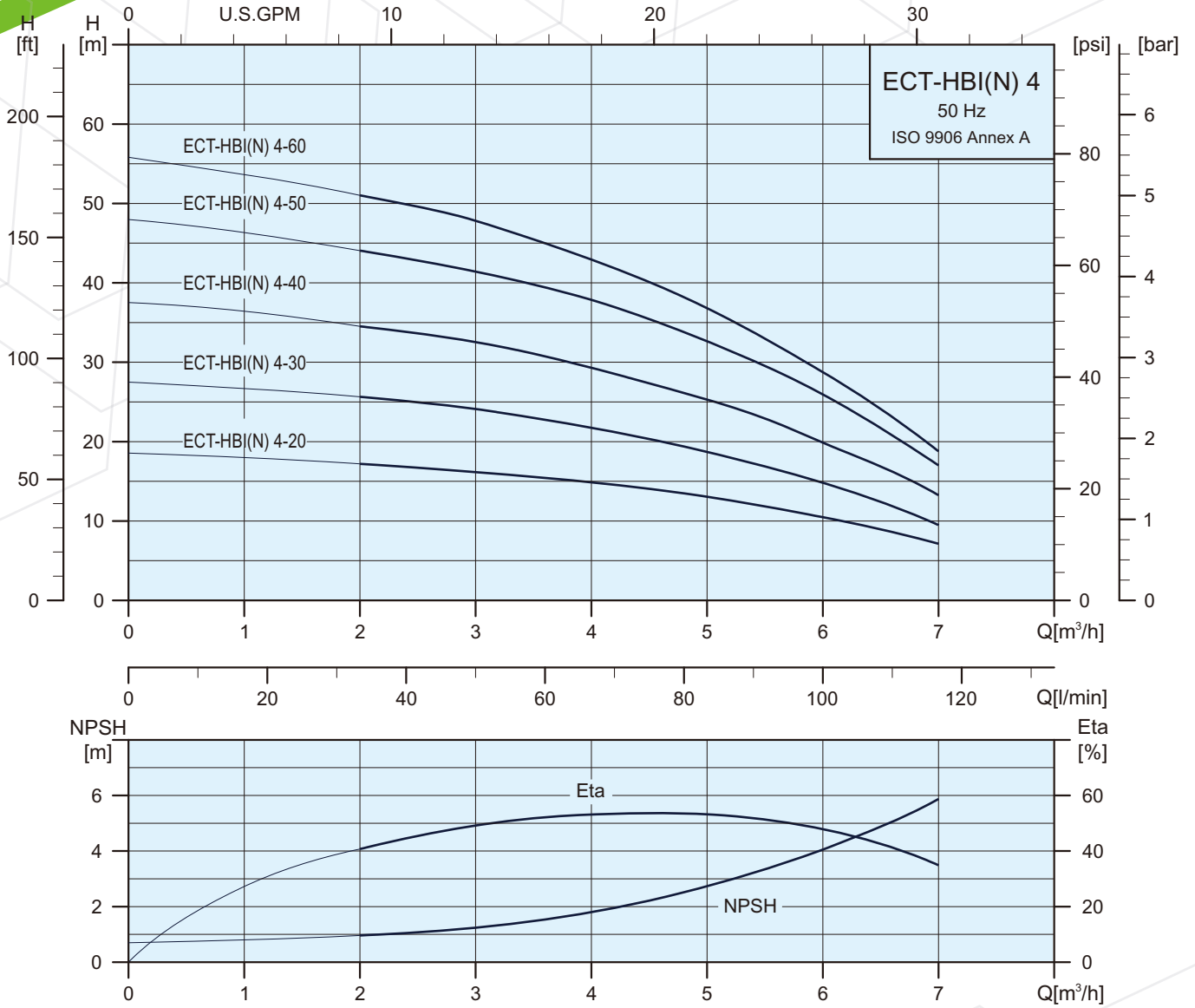
ECT-HBI, ECT-HBN series



ECT PUMP

Technical Data

PERFORMANCE RANGE



SPECIFICATIONS

Pump Type	220-240V			Δ 220-240V / Y 380-415V		
	1Ø			3Ø		
	Max.Amp	P ₁ [W]	P ₂ [W]	Max.Amp	P ₁ [W]	P ₂ [W]
ECT-HBI(N) 4-20	2.7 - 2.6	580	450	2.5 - 2.9 / 1.5 - 1.7	660	515
ECT-HBI(N) 4-30	3.9 - 3.7	820	635	2.8 - 3.0 / 1.6 - 1.7	850	650
ECT-HBI(N) 4-40	4.6 - 4.4	1000	765	3.3 - 3.5 / 1.9 - 2.0	1060	810
ECT-HBI(N) 4-50	5.8 - 5.5	1240	1005	4.2 - 4.5 / 2.4 - 2.6	1310	1060
ECT-HBI(N) 4-60	7.1 - 6.9	1510	1210	5.2 - 5.6 / 3.0 - 3.3	1550	1230

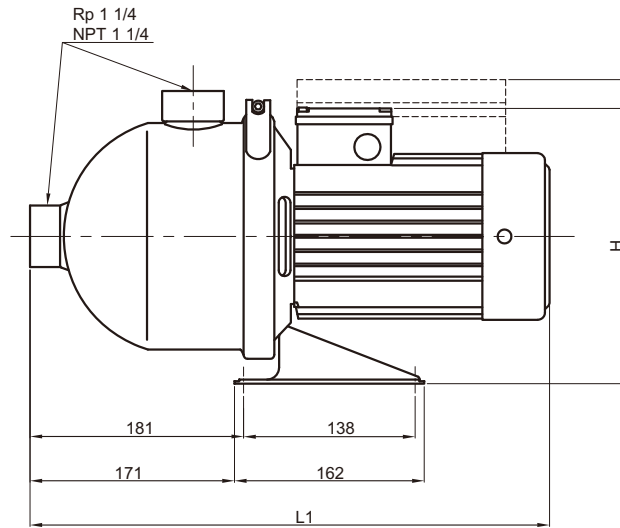
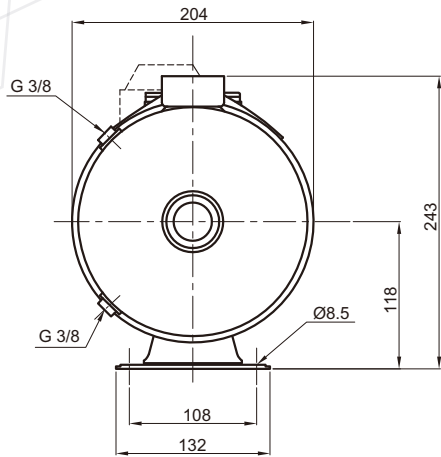
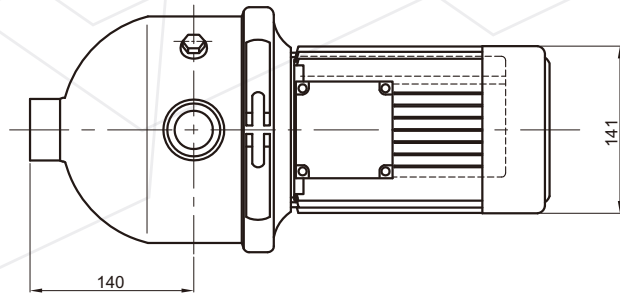
ECT-HBI, ECT-HBN series



ECT PUMP

Technical Data

DIMENSIONS AND WEIGHTS



Pump Type	Dimensions (mm)				Net Weight (kg)
	L1		H		
	1Ø	3Ø	1Ø	3Ø	
ECT-HBI(N) 4-20	403	403	255	233	9.6
ECT-HBI(N) 4-30	403	403	255	233	9.9
ECT-HBI(N) 4-40	403	403	255	233	10.6
ECT-HBI(N) 4-50	441	441	255	233	12.1
ECT-HBI(N) 4-60	441	441	255	233	12.3

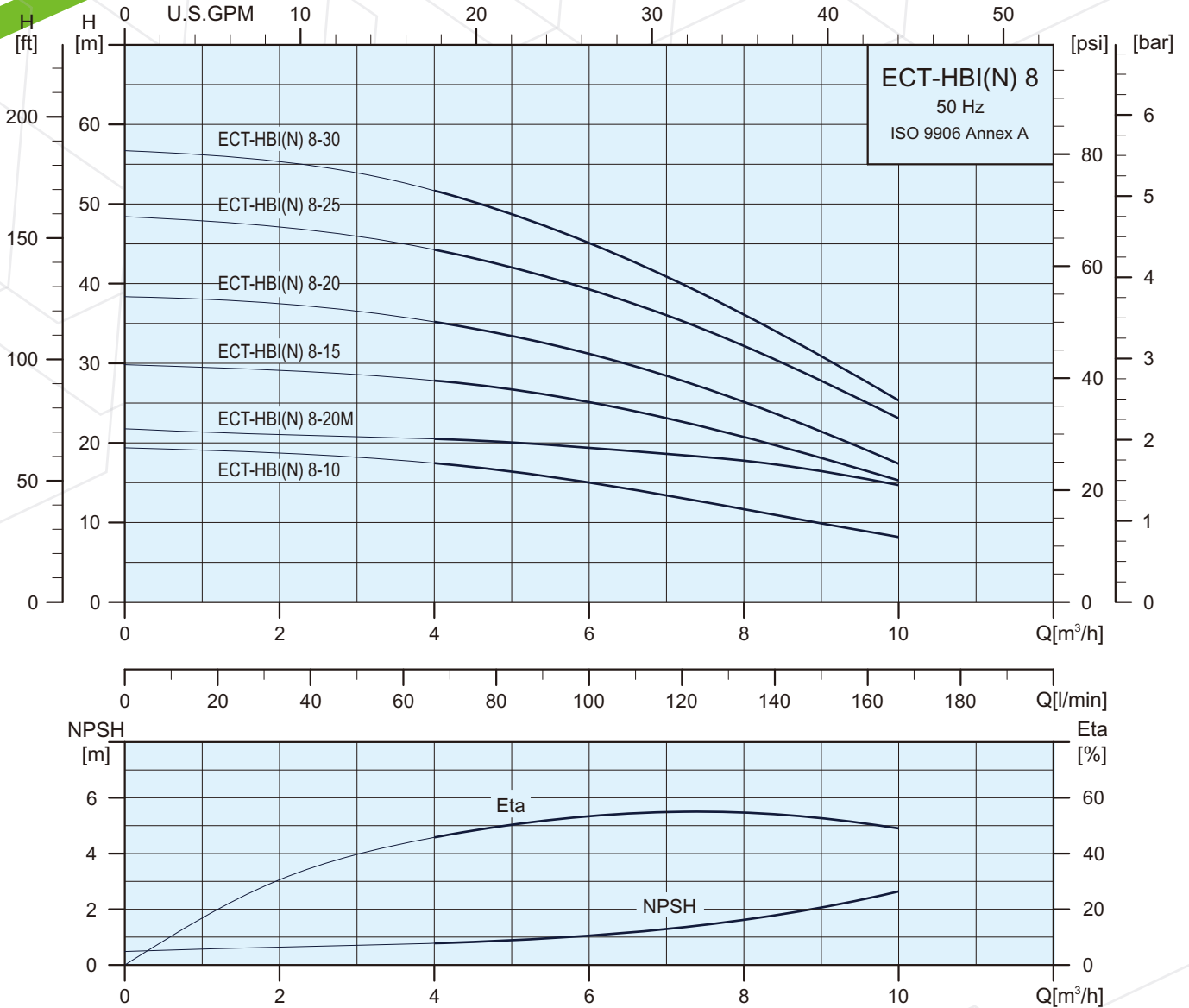
ECT-HBI, ECT-HBN series



ECT PUMP

Technical Data

PERFORMANCE RANGE



SPECIFICATIONS

Pump Type	220-240V			Δ 220-240V / Y 380-415V		
	1Ø			3Ø		
	Max.Amp	P ₁ [W]	P ₂ [W]	Max.Amp	P ₁ [W]	P ₂ [W]
ECT-HBI(N) 8-10	3.3 - 3.1	760	580	2.7 - 3.1 / 1.6 - 1.8	810	620
ECT-HBI(N) 8-20M	-	-	-	4.2 - 4.5 / 2.4 - 2.6	1120	910
ECT-HBI(N) 8-15	5.3 - 5.1	1150	930	3.9 - 4.4 / 2.3 - 2.6	1190	965
ECT-HBI(N) 8-20	6.8 - 6.6	1420	1130	5.0 - 5.5 / 2.9 - 3.2	1450	1150
ECT-HBI(N) 8-25	8.1 - 7.9	1880	1560	5.8 - 6.5 / 3.4 - 3.8	1840	1460
ECT-HBI(N) 8-30	9.1 - 9.0	2100	1750	6.4 - 6.9 / 3.7 - 4.0	2050	1710

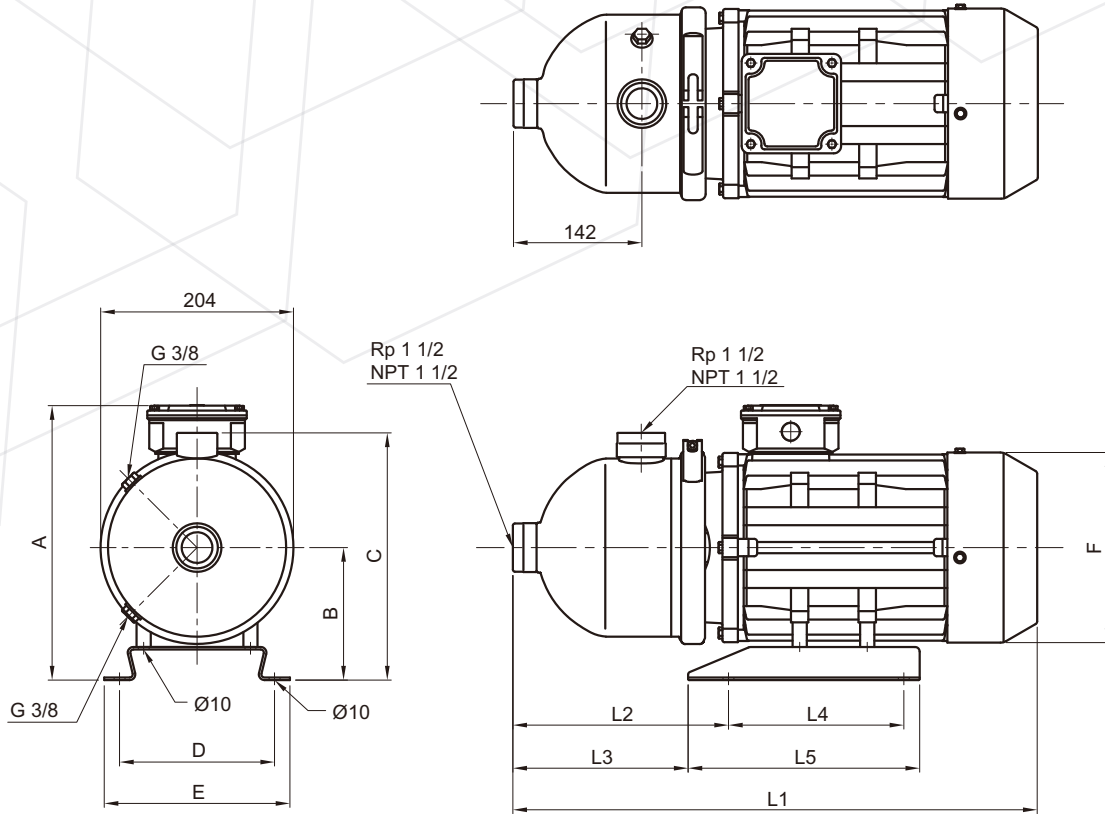
ECT-HBI, ECT-HBN series



ECT PUMP

Technical Data

DIMENSIONS AND WEIGHTS



Pump Type	Phase	Dimensions (mm)											Net Weight (kg)
		L1	L2	L3	L4	L5	A	B	C	D	E	F	
ECT-HBI(N) 8-10	1Ø	403	181	171	138	162	255	118	243	108	132	141	10.20
	3Ø	403	181	171	138	162	233	118	243	108	132	141	10.02
ECT-HBI(N) 8-15	1Ø	441	181	171	138	162	255	118	243	108	132	141	12.28
	3Ø	441	181	171	138	162	233	118	243	108	132	141	12.08
ECT-HBI(N) 8-20M	1Ø	-	-	-	-	-	-	-	-	-	-	-	-
	3Ø	441	181	171	138	162	233	118	243	108	132	141	11.98
ECT-HBI(N) 8-20	1Ø	441	181	171	138	162	255	118	243	108	132	141	13.54
	3Ø	441	181	171	138	162	233	118	243	108	132	141	13.34
ECT-HBI(N) 8-25	1Ø	514	200	180	195	235	267	121	245	158	178	177	23.08
	3Ø	441	181	171	138	162	233	118	243	108	132	141	13.92
ECT-HBI(N) 8-30	1Ø	514	200	180	195	235	267	121	245	158	178	177	23.14
	3Ø	514	200	180	195	235	261	121	245	158	178	177	22.22

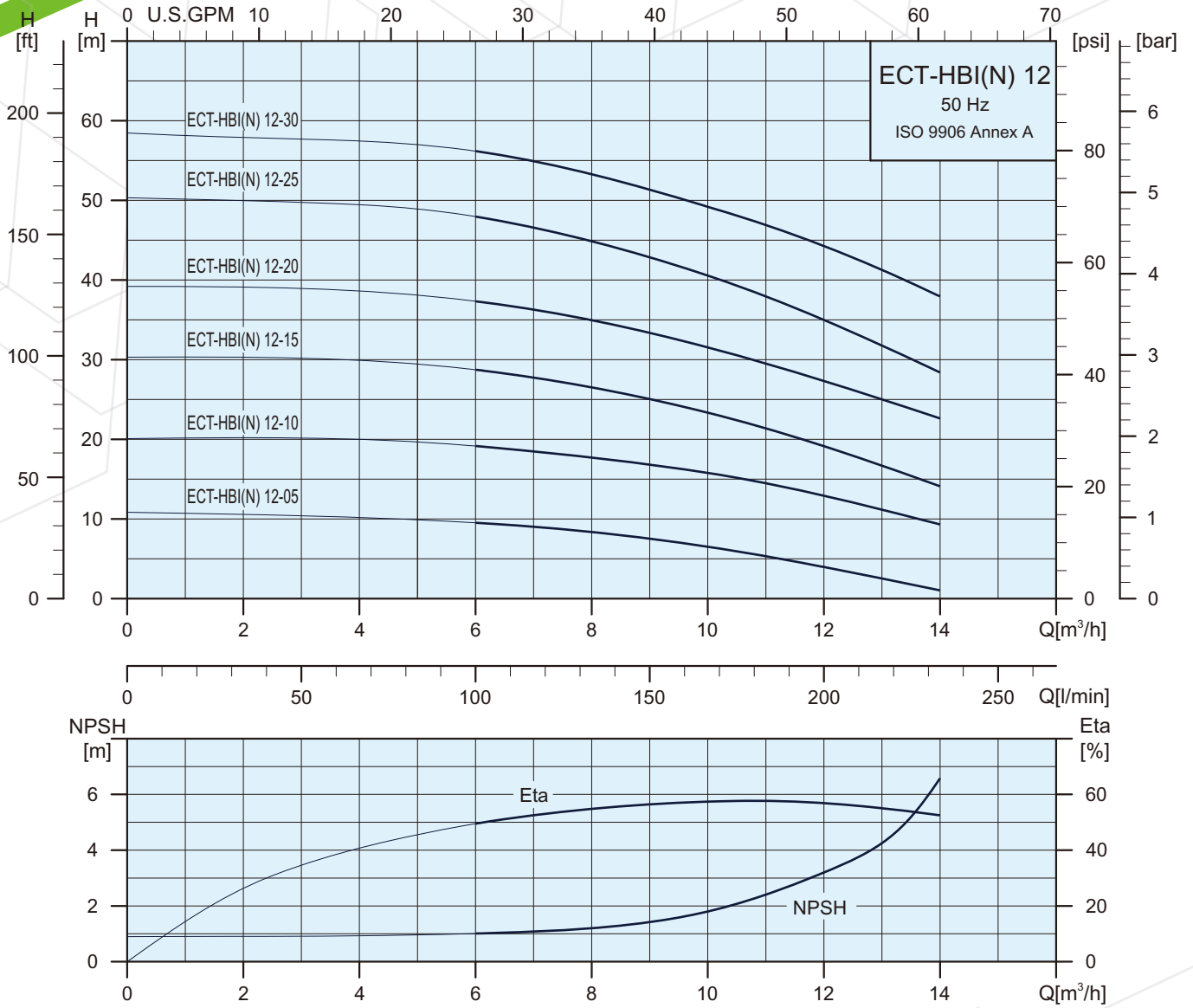
ECT-HBI, ECT-HBN series



ECT PUMP

Technical Data

PERFORMANCE RANGE



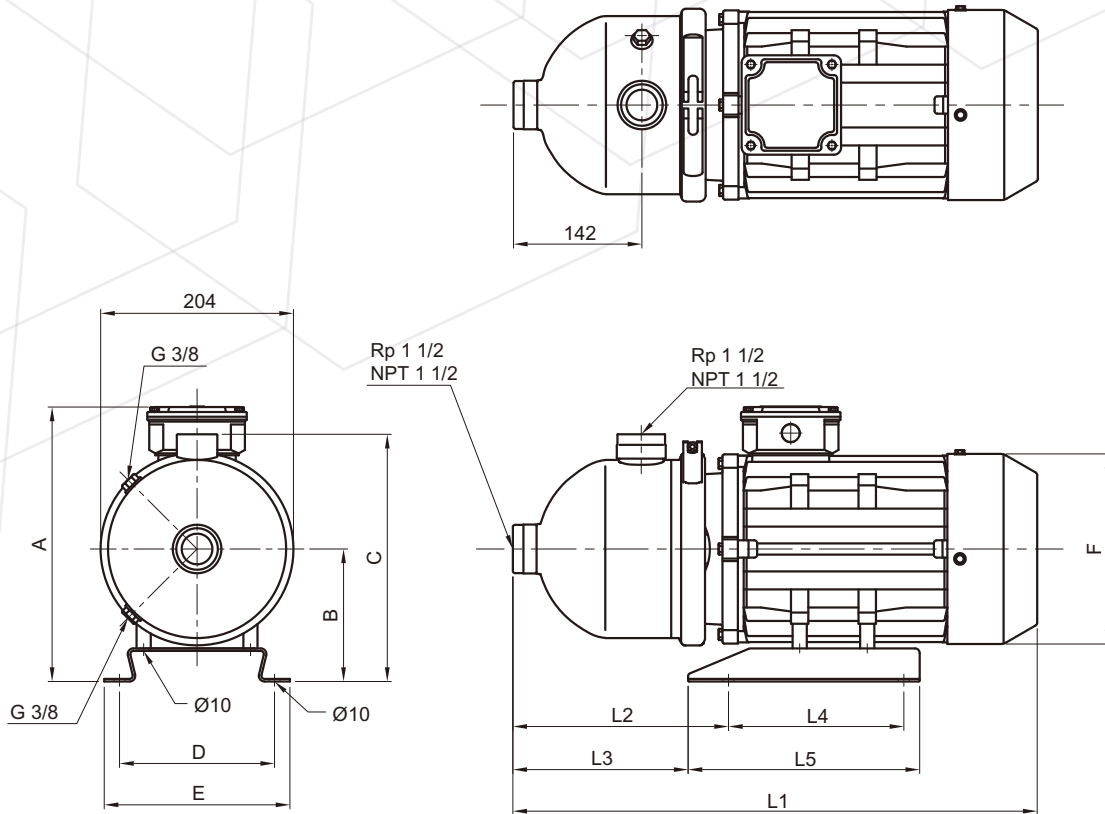
SPECIFICATIONS

Pump Type	220-240V			Δ 220-240V / Y 3 80-415V		
	1Ø			3Ø		
	Max.Amp	P ₁ [W]	P ₂ [W]	Max.Amp	P ₁ [W]	P ₂ [W]
ECT-HBI(N) 12-05	-	-	-	2.4 - 2.8 / 1.4 - 1.6	550	425
ECT-HBI(N) 12-10	5.3 - 5.1	1170	945	3.6 - 3.8 / 2.1 - 2.2	1190	965
ECT-HBI(N) 12-15	7.6 - 7.5	1650	1310	5.5 - 6.0 / 3.2 - 3.5	1690	1345
ECT-HBI(N) 12-20	10.6 - 10.4	2310	1925	7.0 - 7.4 / 4.0 - 4.3	2350	1960
ECT-HBI(N) 12-25	13.1 - 12.7	2980	2510	9.0 - 9.3 / 5.2 - 5.4	2880	2420
ECT-HBI(N) 12-30	-	-	-	11.7 - 12.1 / 6.8 - 7.0	3610	3110



Technical Data

DIMENSIONS AND WEIGHTS



Pump Type	Phase	Dimensions (mm)											Net Weight (kg)
		L1	L2	L3	L4	L5	A	B	C	D	E		
ECT-HBI(N) 12-05	1Ø	-	-	-	-	-	-	-	-	-	-	-	-
	3Ø	403	181	171	138	162	233	118	243	108	132	141	9.41
ECT-HBI(N) 12-10	1Ø	441	181	171	138	162	255	118	243	108	131	141	11.72
	3Ø	441	181	171	138	162	233	118	243	108	131	141	11.52
ECT-HBI(N) 12-15	1Ø	441	181	171	138	162	255	118	243	108	132	141	13.38
	3Ø	441	181	171	138	162	233	118	243	108	132	141	13.18
ECT-HBI(N) 12-20	1Ø	514	200	180	195	235	267	121	245	158	178	177	22.52
	3Ø	514	200	180	195	235	261	121	245	158	178	177	21.48
ECT-HBI(N) 12-25	1Ø	514	200	180	195	235	267	121	245	158	178	177	25.74
	3Ø	514	200	180	195	235	261	121	245	158	178	177	24.36
ECT-HBI(N) 12-30	1Ø	-	-	-	-	-	-	-	-	-	-	-	-
	3Ø	539	230	198	195	245	284	133	259	174	198	197	30.20